

REGISTER YOUR 1911 SERIES FIREARM ONLINE NOW
 THE ONLINE WARRANTY REGISTRATION IS NOW AVAILABLE AT WWW.AMERICANTACTICAL.US. STOP BY THE
 SITE TO REGISTER AND SEE ALL OUR NEW PRODUCTS.

COMPLETE WARRANTY ONLINE AT WWW.AMERICANTACTICAL.US

November 1, 2009.
 warranty is established effective
 replace the firearm. No implied warranties extend beyond the term of this written warranty. This firearm
 warranty. By this we mean any loss, expense or damages other than to repair defects in the firearm or
 American Tactical Imports excludes and will not pay incidental or consequential damages under this
 What is excluded from this warranty?
 • Normal wear and tear
 • Unauthorized adjustments, repairs or modifications
 • Hand loaded, reloaded or improper ammunition
 • Barrel obstruction
 • Accidents, abuse or misuse
 • Failure to provide proper care and maintenance
 We will not cover damage of your firearm caused by:
 What is not covered under warranty?
 write or call American Tactical Imports.
 must notify our authorized warranty repair center before the end of the two-year period. You may either
 http://www.AmericanTactical.us by selecting the Registration tab. Then, if you discover a defect, you
 First, when you purchase your firearm, you must complete the online warranty registration card at
 What must you do to make a claim under this warranty?
 we will keep the defective one.
 at our option, repair the defect(s), or replace the firearm at no cost to you. If we send you a new firearm,
 If you make a claim within the warranty period following the instructions given in this warranty, we will.
 What will American Tactical do if you discover a defect?
 from defects in material and workmanship.
 that, for two years from the date of purchase in the United States or Canada, your firearm will be free
 American Tactical Imports warrants to you, the original purchaser of a new firearm within this series
 Who and what is covered by this warranty and for how long?

AMERICAN TACTICAL LIMITED TWO YEAR WARRANTY

1. Do NOT alter or modify your firearm, have it serviced regularly!
 2. Always handle your firearm as if it is loaded.
 3. Never point your firearm at anything you don't intend to shoot.
 4. Always make sure your firearm is not loaded and the slide is latched open and to the rear before
 5. Never leave a loaded firearm unattended.
 6. Always be sure bore, muzzle, chamber and action are clear of obstruction.
 7. Always check that ammunition is clean and undamaged.
 8. Never drink alcoholic beverages or take drugs before or during shooting.
 9. Always wear eye and ear protection when shooting.
 10. Always keep safety on "SAFE" when the firearm is loaded and a round is chambered until ready
 11. Never attempt to fire if water is in the bore.
 12. Never indulge in "horseplay" when holding your firearm.

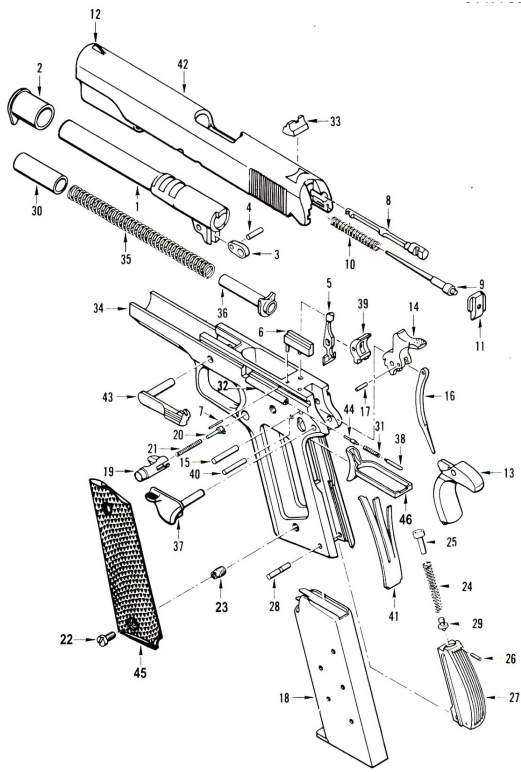
GENERAL HANDLING CAUTIONS

PARTS IDENTIFICATION

EXPLODED VIEW

| Drawing Ref. # | Part or assy. Name | Ordnance Drawing and Part Number |
|----------------|--|----------------------------------|
| 1. | Barrel | 779H93 |
| 1A. | Barrel-GI | 779H93A |
| 1B. | Barrel-Titan Blue | 779H93B |
| 1C. | Barrel-Titan Stainless | 779H93C |
| 2. | Barrel Bushing | 6008596 |
| 2A. | Barrel Bushing-GI | 6008596A |
| 3. | Barrel Link | 5013198 |
| 4. | Barrel Link Pin | 5013199 |
| 5. | Disconnecter | 6008603 |
| 6. | Ejector | 6019024 |
| 7. | Ejector Retaining Pin | 5013203 |
| 8. | Extractor | 6008598 |
| 9. | Firing Pin | 6008599 |
| 10. | Firing Pin Spring | 5013204 |
| 11. | Firing Pin Stop | 5013205 |
| 12. | Front Sight | 5013197 |
| 12A. | Front Sight-Titan/Thunderbolt | 5013197A |
| 13. | Safety Grip | 6501828 |
| 13A. | Safety Grip-GI/Titan/Thunderbolt | 6501828A |
| 14. | Hammer | 5503839 |
| 14A. | Hammer-GI/Titan/Thunderbolt | 5503839A |
| 15. | Hammer Pin | 5013206 |
| 16. | Hammer Strut | 6008600 |
| 17. | Hammer Strut Pin | 5013207 |
| 18. | Magazine | 5508695 |
| 18A. | Magazine-Titan | 5508695A |
| 19. | Magazine Catch | 6008609 |
| 20. | Magazine Catch Lock | 5013218 |
| 21. | Magazine Catch Spring | 5013217 |
| 22. | Grip Screw (4) | 6019023 |
| 23. | Grip Screw Bushings (4) | 6019022 |
| 24. | Hammer Spring | 5013208 |
| 25. | Mainspring Cap | 5013209 |
| 26. | Mainspring Cap Pin | 5013210 |
| 27. | Mainspring Housing | 5503841 |
| 27A. | Mainspring Housing-Titan | 5503841A |
| 27B. | Mainspring Housing-Thunderbolt | 5503841B |
| 28. | Mainspring Housing Pin | 5013212 |
| 29. | Mainspring Housing Pin Retainer | 5013213 |
| 30. | Recoil Spring Plug | 5013201 |
| 30A. | Recoil Spring Plug-GI | 5013201A |
| 30B. | Recoil Spring Plug-Thunderbolt | 5013201B |
| 30C. | Recoil Spring Plug-Titan Reverse Plug Blue | 5013201C |
| 30D. | Recoil Spring Plug-Titan Reverse Plug Chrome | 5013201D |
| 30E. | Recoil Spring Plug-Titan Secondary Plug Blue | 5013201E |
| 30F. | Recoil Spring Plug-Titan Secondary Plug Chrome | 5013201F |
| 31. | Plunger Spring | 5013194 |
| 32. | Plunger Tube | 6008594 |
| 33. | Rear Sight | 5013196 |
| 33A. | Rear Sight-Titan Novak | 5013196A |
| 33B. | Rear Sight-Thunderbolt LPA | TRT92BW30 |
| 34. | Frame | 6535359 |
| 34A. | Frame-GI | 6535359A |
| 34B. | Frame-Thunderbolt | 6535359B |
| 34C. | Frame-Titan Stainless | 6535359C |
| 34D. | Frame-Titan Blue | 6535359D |
| 35. | Recoil Spring | 5013200 |
| 35A. | Recoil Spring-GI | 5013200A |
| 35B. | Recoil Spring-Titan | 5013200B |
| 36. | Recoil Spring Guide | 6008597 |
| 36A. | Recoil Spring Guide-GI | 6008597A |
| 36B. | Recoil Spring Guide-Thunderbolt | 6008597B |
| 36C. | Recoil Spring Guide-Titan Blue | 6008597C |
| 36D. | Recoil Spring Guide-Titan Chrome | 6008597D |
| 37. | Safety Lock | 5503840 |
| 37A. | Safety Lock-GI | 5503840A |
| 37B. | Safety Lock-Thunderbolt (Ambi) | 5503840B |
| 38. | Safety Lock Plunger | 5013195 |
| 39. | Sear | 7268068 |
| 40. | Sear Pin | 5013211 |
| 41. | Sear Spring | 6008602 |
| 42. | Slide | 7790314 |
| 42A. | Slide-GI | 7790314A |

| Drawing Ref. # | Part or assy. Name | Ordnance Drawing and Part Number |
|----------------|------------------------------|----------------------------------|
| 42B. | Slide-Thunderbolt | 7790314B |
| 42C. | Slide-Titan Stainless | 7790314C |
| 42D. | Slide-Titan Chrome | 7790314D |
| 43. | Slide Stop | 6008595 |
| 43A. | Slide Stop-Thunderbolt | 6008595A |
| 44. | Slide Stop Plunger | 5013193 |
| 45. | Grip Panel Left/Right | 5564063/5564062 |
| 45A. | Grip Panel-GI | 5564063A/5564062A |
| 45B. | Grip Panel-Thunderbolt | 5564063B/5564062B |
| 45C. | Grip Panel-Titan | 5564063C/5564062C |
| 46. | Trigger Assembly, Standard | 6147780 |
| 46A. | Trigger Assembly-Thunderbolt | 6147780A |
| 46B. | Trigger Assembly-Titan | 6147780B |



Schematic is 1911 military model:
 Parts list is for Military, GI, Titan,
 and Thunderbolt Models

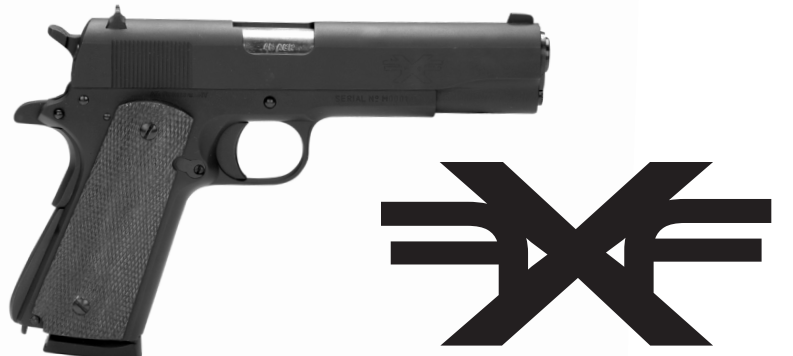
ADVERTENCIA
 A los niños las armas de fuego y las pueden hacer funcionar.
 Ellos pueden causarse lesiones graves y la muerte. Evite que los niños tengan acceso a las armas
 de fuego guardándolas siempre cuando no las este utilizando. Si usted tiene
 una arma de fuego cargada en un lugar en que un niño tiene acceso a ella y la usa inadvertidamente,
 le pueden dar una multa o enviarle a la cárcel.

WARNING
 Children are attracted to and can operate firearms that can cause severe injuries or death.
 Prevent child access by always keeping guns locked away and unloaded when not in use. If you keep
 a loaded firearm where a child obtains and improperly uses it, you may be fined or sent to prison

NOTICE
 American Tactical Imports shall not be responsible for personal injury, death or damage to
 property resulting from either intentional or accidental discharge of this firearm, or from its
 function when used for purposes or subjected to treatment for which it was not designed.
 American Tactical Imports will not honor claims involving this firearm which result from
 careless or improper handling, unauthorized adjustment or parts replacement, corrosion, neglect,
 ammunition in good condition, or any combination thereof. American Tactical Imports will not honor
 claims involving this firearm for any reason or cause when the second or subsequent owner makes
 such claims. Before the pistol left the factory, this firearm was tested, carefully inspected and
 packaged. American Tactical Imports cannot control product handling after it leaves the factory;
 therefore please examine this firearm carefully at the time of purchase to ensure that it is un-
 loaded and undamaged.

WARNING
 If this firearm is carelessly or improperly handled, unintentional discharge could result and
 could cause personal injury, death or damage to property. FOR YOUR SAFETY AND THE SAFETY OF
 OTHERS, this Operations Manual contains important instructions, warnings and safety procedures
 that must be understood BEFORE using your American Tactical firearms. It is imperative that
 you read the ENTIRE MANUAL and if you do not understand any part of it or the operation of your
 American Tactical firearm, you should seek professional firearms instruction. Never disassemble
 your firearm beyond what is shown in Fig. 1-4 of this manual

AMERICAN TACTICAL
 FX .45 SERIES
 1911 SERIES SEMI AUTOMATIC PISTOL



OWNERS MANUAL

WARNING
 BEFORE USING THIS FIREARM;
 COMPLETELY READ AND FOLLOW THESE INSTRUCTIONS



100 Airpark · Drive Rochester, New York 14624
 800-328-0945 · FAX 585-328-4168 · WWW.AMERICANTACTICAL.US

INFORMATION

| | Weight: | Barrel Length: | Overall Length: | Magazine Cap.: |
|---------------------|-----------|----------------|-----------------|----------------|
| FX Thunderbolt 1911 | 2.31 lbs. | 5 in. | 8.46 in | 8 RD |
| FX Military 1911 | 2.31 lbs. | 5 in. | 8.46 in | 8 RD |
| FX GI 1911 | 2.09 lbs. | 4.25 in. | 7.87 in. | 8 RD |
| FX Titan 1911 | 1.87 lbs. | 3.125 in. | 6.93 in | 7 RD |
| FX Titan SS 1911 | 1.87 lbs. | 3.125 in. | 6.93 in | 7 RD |

GENERAL DISASSEMBLY INFORMATION:

The following instructions should be observed during disassembly and assembly.

1. Before the pistol is disassembled, make sure there is no ammunition in the chamber or magazine.
2. The pistol should be disassembled on a table or bench.
3. The parts should be laid out in order of disassembly.
4. Force should not be used to remove or disassemble parts, as it may result in damage to the parts.
5. Only accessories in good condition should be used.
6. When tightening or loosening screws, hold the screwdriver firmly to prevent damage to the screw heads

OPERATIONS

Unloading

1. Point the gun in a safe direction.
2. Press the magazine release button to remove the magazine.
3. From top and rear, carefully inspect the chamber to make sure it is empty.
4. Hold the slide, disengage the slide stop, ease the slide forward.
5. Carefully lower the hammer.

Loading

1. Place the EMPTY magazine in the magazine well, located in the bottom of the pistol grip. Push firmly enough on the bottom of the magazine to make sure it is properly seated. A distinctive "click" will confirm the magazine has been properly inserted. Pull the slide all the way to the rear, until it locks back.
2. Depress the magazine release and release the magazine. Place the rim of the first cartridge on the front of the follower. Then push down on the follower and slide the cartridge under the lips of the magazine and to the rear. Load successive rounds the same way. Use only clean, dry, original, high quality, commercially manufactured ammunition.
3. Re-insert magazine into the magazine well, located in the bottom of the pistol grip. Push firmly enough on the bottom of the magazine to make sure it is properly seated.
4. Point the gun in a safe direction and keep your finger off the trigger. Push down on the slide safety to allow the slide to move forward and load a shell from the magazine into the chamber.

Hammer Lowering

1. Point the gun in a safe direction and ensure pistol is unloaded.
2. Firmly hold the gun, depressing the grip safety.
3. Using your non-shooting hand, firmly grasp the hammer with your thumb and forefinger.
4. Be prepared for hammer movement. Squeeze trigger.
5. SLOWLY lower the hammer with thumb and forefinger until it is fully forward.
6. Release the trigger. (If the trigger is released early the gun may be on safety stop.)

MISFEEDING

GENERAL PROCEDURE FOR PREVENTING MISFEEDING:

With proper maintenance, storage and handling, the pistol is reliable in use. However, as a result of careless handling, dirty parts, low-grade rounds, and also as a result of wear of the parts caused by extensive use, normal operation of the pistol can be affected, causing stoppages during fire. The majority of stoppages can be easily eliminated simply by cocking the pistol that is by bringing to the rear the bolt carrier and releasing it.

FX .45 SERIES MODELS



SKU# ATIGFX45THUN
FX Thunderbolt 1911

SKU# ATIGFX45MIL
FX Military 1911

SKU# ATIGFX45GI
FX GI 1911

SKU# ATIGFX45TIB
FX Titan 1911

SKU# ATIGFX45TIS
FX Titan SS 1911



DISASSEMBLY

Step 1 - Magazine & Chamber Check

1. Press the magazine catch and remove the magazine.
2. Pull slide backwards and check the no cartridge is in the chamber.
3. Release the slide allowing it to go forward position.



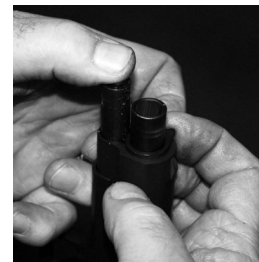
Step 2 - Recoil Spring Removal

1. Move slide rearward, approximately 1/2 inch, grasp firmly to hold in place, and depress recoil spring plug with thumb.
2. Point muzzle away from face and rotate barrel bushing clockwise.
3. Do not rotate bushing off of plug unless you have control of plug and spring.



Step 3 - Disassembly

1. Cautiously allow plug and recoil spring to move forward.



Step 4 - Slide Stop Removal

1. Align disassembly notch on slide with slide stop.
2. Press the slide stop shaft on the right side of frame and remove the slide stop by pulling it out the left side of the frame.



Step 5 - Slide Removal

1. Pull slide forward in its guides and remove slide. The barrel, barrel bushings, recoil spring and guide will come with it.

Step 6 - Recoil Spring Components Removal

1. Remove recoil spring and guide through back side



Step 7 - Barrel Removal

1. Rotate the barrel bushing to the left of the slide and remove it through the front.
2. Tilt the barrel link forward and remove the barrel from the front of the slide.

