

Aimpoint®

Users Manual for AIMPOINT HUNTER SIGHTS



Aimpoint AB
Jägershillgatan 15
SE- 213 75 Malmö, Sweden
Phone +46 (0)40 671 50 20
Fax +46 (0)40 21 92 38
e-mail: info@aimpoint.se
www.aimpoint.com

Aimpoint Inc.
14103 Mariah Court
Chantilly, VA 20151-2113, USA
Phone +1 703-263-9795
Fax +1 703-263-9463
e-mail: info@aimpoint.com
www.aimpoint.com

THE FUTURE IN SIGHT®

© 2010 Contents property of Aimpoint – All rights reserved – Art No. 12677-0

Hunter sights are shipped from the factory with the dot in a centred position. Normally this means that only small adjustments should be necessary, providing that your rings and bases are properly aligned, and mounting hardware secured properly.

CAUTION: Do not continue to adjust windage and elevation adjustment screws if you encounter resistance.

The elevation (up and down) adjustment screw (4) is located on top of the sight, and the windage (left and right) adjustment screw (5) is located on the right side.

a) Turn the sight on by pushing down the (+) or (-) buttons on the digital touch pad (1) until the red dot has a sufficient intensity to contrast against the target. For best accuracy, do not make the dot brighter than necessary to match the light conditions where you are shooting.

NOTE: When you turn on the sight, brightness is automatically at position 7 out of 12.

c) Remove the windage and elevation adjustment screw caps (4)/(5).

NOTE: Each click of the adjustment screw corresponds to a 16 mm movement of the point of impact at 80 meters, (20 mm at 100 meters and 1/2" at 80 yds).

d) To turn the adjustment screws (4)/(5), use the adjustment tool (6) included with your sight or the projections on the top side of the caps (4)/(5):

- To move the point of impact to the right, turn the windage adjustment screw (5) counter clockwise.
- To move the point of impact to the left, turn the windage adjustment screw (5) clockwise.
- To move the point of impact up, turn elevation adjustment screw (4) counter clockwise.
- To move the point of impact down, turn the elevation adjustment screw (4) clockwise.

e) Confirm zeroing by firing at least three shots at a zeroing target. Check impact points on zeroing target to confirm accuracy and repeat above procedure if required.

f) After initial firing, ensure that the mounts and sight are secure.

g) Turn the sight off by pushing the (-) button on the digital touch pad (1) for 1.5 seconds.

h) Put the lens covers on.

CHAPTER III

OPERATION UNDER EXTREME CONDITIONS

a) Extreme heat (humid or dry). No special procedures required.

b) Extreme cold. Extreme cold might shorten battery life. Keep spare batteries in your inner pockets to keep them warm.

c) Salt air. No special procedures required.

d) Sea spray, water, mud and snow. Ensure that battery cap and the two adjustment screw caps are tight before exposing the sight to sea spray, mud and snow. Hand tighten only. Keep lens covers closed when sight is not being used. Clean lenses with lens soft cloth and wipe the sight dry as soon as possible after exposure to water, sea spray, mud or snow.

e) Dust storms and sand storms. Keep lens caps closed when sight is not being used.

f) High altitudes. No special procedures required.

CAUTION: The lenses should never be cleaned with fingers – always use a soft lens cloth.

If no lens paper/cloth available:

- To clear away debris (sand, grass etc): blow away the dirt.
- To clean lenses: fog the lenses and dry them with a clean and soft piece of cloth.

CHAPTER IV

TROUBLE SHOOTING PROCEDURES

4.1 Red dot does not appear

Discharged battery:	Replace battery
Battery installed incorrectly:	Remove and reinstall battery with (+) toward cap
Battery is not making good contact:	Clean contacts surfaces and reinstall battery.

4.2 Impossible to zero

Adjustment screw is at its limit:	Check alignment of mount to barrel
Impact point is moving:	Check mount stability

4.3 Dot does not appear to be round

This is most likely the result of how your eye perceives the dot. Unload and make your firearm safe. Turn your sight on and look through the sight. Slowly rotate the sight. If the aberration in the shape of the dot does not rotate along with the sight, it is how your eyes see the dot that is causing the irregularity. This effect can be minimized by setting the brightness of the dot only enough to match the shooting conditions.

CHAPTER V

MAINTENANCE

a) This reflex sight does not require any particular maintenance while used under normal conditions.

b) Under severe weather conditions please refer to chapter III.

c) Keep lens covers closed whenever the sight is not in use.

d) Warehouse storage: Remove battery and allow lens surfaces to dry completely (if wet) before closing the lens covers.

e) To clean lenses refer to CAUTION in chapter III.

f) In order not to void your warranty, do not attempt to disassemble your sight or service any internal components.



WARRANTY

Aimpoint guarantees this product to be free from original manufacturer defects in material and/or workmanship under normal use for a period of two years for professional or frequent competition use and ten years for personal use from the date of purchase.

Personal use shall mean: use of the sight in a way that implies less exposure than professional use.

Professional or frequent competition use shall mean: daily or highly frequent use of the sight in professional activities (military or law enforcement) or under conditions that could be compared to as professional.

The warranty is valid provided that the sight has not been misused, disassembled or tampered with in any way.

Any attempt to disassemble or repair the product will void the warranty.

This warranty shall not apply to rubber and thermoplastic components.

This warranty is limited to the original purchaser of the product/s and is not transferable to any third party, unless otherwise follows from mandatory law.

Any warranty claim must be accompanied by a copy of the original receipt showing date of purchase and shall be notified as soon as can be reasonably required.

In case the product is defective in original manufacturer material and/or workmanship, Aimpoint undertakes either to repair, replace or compensate the purchaser its purchase price for such defective product.

Serial no:

Purchase date:

AIMPOINT DISCLAIMS ALL IMPLIED WARRANTIES IN CONNECTION WITH THE SALE OF THIS PRODUCT, INCLUDING, BUT NOT LIMITED TO, THE IMPLIED WARRANTY OF FITNESS FOR A PARTICULAR PURPOSE AND THE IMPLIED WARRANTY OF MERCHANTABILITY. THERE ARE NO EXPRESS WARRANTIES THAT EXTEND BEYOND THIS WRITTEN WARRANTY OR ANY EXPRESS WARRANTY CONTAINED IN THE PRODUCT LITERATURE INCLUDED IN THE PACKAGING OF THIS PRODUCT.

Fill in this form only if your product has to be sent back for repair.

CHAPTER I

1.1 PRESENTATION

Aimpoint Hunter series sights are non-magnifying (1X) electronic reflex sights specially designed for use on hunting rifles and shotguns. Aimpoint Hunter series sights have a processor-controlled brightness intensity function with a digital touch pad adjustment for varying the brightness of the red dot to match the conditions where you are shooting.

Aimpoint sights are designed for the "both eyes open" method of sighting, which greatly enhances situational awareness and target acquisition speed. Thanks to our parallax-free design, the dot always follows the movement of the user's eye while remaining fixed on the target. The sight design allows for unlimited eye-relief.

This new series of Aimpoint sights uses our latest ACETechnology™ internal electronics which combines Aimpoint's superior accuracy and speed with significantly lower power usage to maximize battery life.

1.2 SPECIFICATIONS

1.2.1 All models

TECHNOLOGY

ACET Advanced Circuit Efficiency Technology
Operating principle Passive Red Dot Collimator Reflex Sight, No centering required

OPTICAL DATA

LED (Light Emitting Diode) Red dot (650 nm wavelength) Totally eye-safe
Dot size 2 MOA*
Optical magnification 1X, unlimited eye relief
Antireflex coating All lens surfaces
Multilayer coating for reflection Objective lens

ELECTRONIC DATA

Battery One 3V Lithium battery, type CR2032
Battery life 50,000 hours, at setting 7
Dot intensity adjustment Digital touch pad, 12 settings (1 off)

MECHANICAL DATA

Material housing/tube High Strength Aluminium
Surface treatment/finish Anodized, semi-matte
Color housing Black
Color touch pad Dark Green
Material touch pad Silicon rubber
Material lens covers Polymer – Black
Adjustment 1 click = 20mm at 100 meters, 1/2" at 80 yards
Mounting method 2 rings, H30S/L = 30 mm, H34S/L = 34 mm

ENVIRONMENTAL DATA

Temperature range -30° – +60° C / -20° – +140° F
Water resistance Fully Waterproof
Chemical Resistance Avoid contact with diesel fuel and chemical weapon cleaners when operating with the touch pad

DIMENSIONS

fig 1.2.2

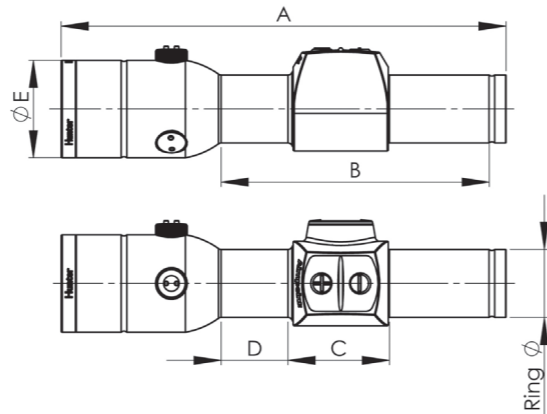


table 1.2.3

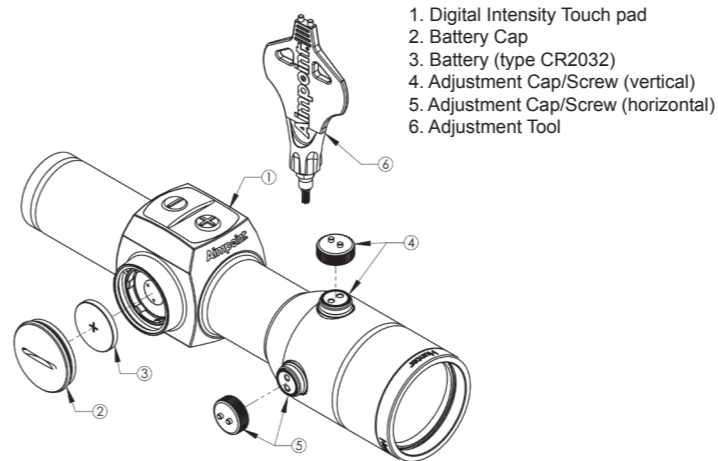
Model	Ring Ø	A	B	C	D	Ø E	Weight
H30 S	30mm	197mm	118mm	45mm	29,5mm	43mm	225 g
	1.2"	7.8"	4.65"	1.77"	1.2"	1.7"	7.9oz
H30 L	30 mm	229 mm	150mm	45mm	40,5 mm	43 mm	235 g
	1.2"	9.0"	5.90"	1.77"	1.6"	1.7"	8.3oz
H34 S	34 mm	197 mm	118mm	45mm	29,5 mm	47 mm	250 g
	1.4"	7.8"	4.65"	1.77"	1.2"	1.85"	8.8oz
H34 L	34 mm	229 mm	150mm	45mm	40,5 mm	47 mm	260 g
	1.4"	9.0"	5.90"	1.77"	1.6"	1.85"	9.2oz

ARTICLE NUMBERS

2 MOA: **H30S** 12690, **H30L** 12691, **H34S** 12692, **H34L** 12693

*MOA (minute of angle) 1 MOA ~ 30 mm at 100 meters ~ 1" at 100 yards

LOCATION AND DESCRIPTION OF MAJOR COMPONENTS



CHAPTER II

OPERATION UNDER NORMAL CONDITIONS

Start the sight by pushing down (+) or (-) on the intensity adjustment touch pad (1) located on top of the sight. The brightness of the dot starts automatically at intensity level 7 of 12. Turn the sight off by holding the (-) button down for 1.5 seconds.

2.1 Assembly and preparation for use

WARNING: Firearms must be unloaded and made safe before attempting to install, remove or perform maintenance on the sight!

2.1.1 Installing Battery

a) Remove battery cap (2) by turning it counter clockwise using the plastic adjustment tool included with your sight.

NOTE: the use of coins or metal tools to remove the battery cap is not recommended.
b) Insert battery (3) with positive (+) end toward cap (2).

CAUTION: When replacing battery (3), make sure that the rubber O-ring is present and not damaged. Failure to do so could result in water entering the battery compartment.

c) Install battery cap (2) by carefully aligning the threads on the battery cap (2) with the threads in the sight body, then turn the battery cap (2) clockwise until snug. Hand tighten only using the adjustment tool (6) included with your sight.

d) Verify that red dot is present by pressing (+) or (-) intensity buttons (1) on the sight.

2.1.2 Installing Rings and Sight on the weapon

WARNING: Mounting any optical device too close to the user's eye can cause the device to impact the shooter's face or eyes during recoil, possibly causing severe injury. If you are unfamiliar with mounting optics on firearms, or in choosing the appropriate parts to mount your sight, please consult your dealer, gunsmith or other qualified source.

Aimpoint Hunter Series sights are designed for installation on most types of hunting rifles and shotguns. The H30L and H34L are designed to provide sufficient space between the front and rear mounts for use on long and magnum action rifles. The H30S and H34S are designed for standard length action rifles and many types of shotguns.

NOTE: The use of Hunter Series sights is not recommended on super magnum revolvers (S&W 500, S&W 460SVR etc) due to the extreme recoil forces and frame movement produced by these firearms, optics must be mounted using two heavy duty steel mounting rings and a solid one piece mounting base designed specifically for use with these revolvers. Please consult your Dealer or qualified gunsmith for more information.

For mounting, use two good quality scope rings, and mount bases designed specifically for use on your firearm. Care must be taken to ensure that mounting the sight does not interfere with the safe operation of your firearm or obstruct the ejection of empty cases or shells.

- Ensure that the mounting bases are parallel and aligned, and properly secured to the firearm.
- Assemble the rings on the sight so that they are spaced properly to match the mounting bases.

NOTE: Make sure that your rings and mounts provide clearance between the bottom of the front part of the sight and the firearm. When properly mounted, the body of the sight should not be in contact with the firearm.

c) Assemble the sight to the weapon using standard 30 mm (for H30L or H30S) or 34 mm (for H34L or H34S) rings.

d) The use of lens covers is recommended for protecting the optical components of your sight during storage or transport. When installing your sight, ensure that lens covers can be positioned and removed once the sight is mounted on the weapon.

e) Finally, make sure that all screws of both rings are firmly tightened around the sight. The use of thread sealer is recommended.

NOTE: Over-tightening ring screws can cause damage to your sight.

g) Complete the zeroing process (2.2.1).

2.2 OPERATING PROCEDURES

2.2.1 Zeroing

WARNING: Sighting in and zeroing should be done at a supervised range facility or other safe shooting area. Unload and make your firearm safe before making adjustments to your sight! If you are unfamiliar with the use of firearms or safety at the range, please consult your dealer, gunsmith or other qualified source.