



**M4**  
**MILLENNIUM**  
**DEVASTATOR™**  
**Lithium Powered**  
**225/350 Lumens**

With the purchase of this SUREFIRE flashlight, you have invested in one of the world's best "illumination tools."

We believe it to be a prime example of our philosophy that design decisions should always be made in the interest of the product being the very best it can be.

Frequently, this means deciding to use a more costly process or a more expensive material than would normally be called for. We have, however, learned that in order to produce the best, one must do it right.

We thank you for supporting this decision and electing to confirm our belief in "no compromise" in a product that, by its performance and reliability, may some day be called upon to save your life.

There is no other choice.

John Matthews  
President, SUREFIRE

---

## **WELCOME TO THE SUREFIRE TEAM**

You have just become the owner of one of the most incredible pieces of lighting technology ever conceived. It is a masterpiece of engineering, a member of the SUREFIRE family which has gained the acceptance and respect of military and law enforcement professionals around the world.

- SUREFIRE lights provide overwhelming power, and they do this with a quality of beam that is unmatched in brilliance and performance.
- SUREFIRE's high pressure Xenon/Halogen lamps operate at the highest temperatures possible, producing extraordinary, brilliant, white light.
- Our reflectors are machined from solid billets of aircraft grade aluminum.
- Each SUREFIRE lamp assembly is permanently prefocused to within less than five thousandths of an inch to achieve the absolutely flawless SUREFIRE beam.
- The switch is ergonomically located for in-the-dark positive activation.
- Whether you need a small light that can be carried in your pocket or a multipurpose professional light, SUREFIRE offers you models that range in power from 15 lumens to 500 lumens.
- You can have confidence that your choice of a SUREFIRE light will always reward you with years of superb, unflinching performance.

---

## **THE M4 DEVASTATOR**

The M4 Devastator can drive an intense, concentrated light beam deep into the night, revealing objects at over 100 yards.

The M4 Devastator utilizes the exclusive SureFire beam that combines a brilliant prefocused spotlight center with a surrounding flawless, uniform, wide, floodlight that is free of irregularities and dark spots. This enables you to shine the spot on the subject of primary interest and at the same time illuminate a wide surrounding area so you maintain peripheral awareness.

To give you maximum control of the light, the M4 utilizes a proven fail-proof switch system introduced by SureFire. For quick access and momentary light, a pressure switch located on the tail cap is easily located by feel, regardless of the position of the flashlight in your hand. When constant light is needed simply rotate the tail cap clockwise; you can deactivate the light to prevent unintended activation during covert operations.

For greater reliability, the M4 lamp assembly is protected against shock from impacts.

Along with all of these benefits, the weather resistant design, Mil. Spec. finish and aircraft grade aluminum construction makes the M4 the unquestionable best choice for numerous marine, urban, and rural applications.

## **M4 DEVASTATOR**

---

There are two ways to activate the light from the M4. The Tail Cap switch of the Flashlight can be activated by rotating the Tail Cap in a clockwise direction for a constant "ON" setting or by pressing on the Push Button for temporary light.

### **To Turn Flashlight "ON"**



Turn  
Tail Cap  
for  
"ON"

### **For Constant Light**

**ON** - Turn Tail Cap clockwise  
(viewed from the tail)

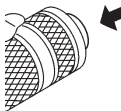
**OFF** - Turn Tail Cap counterclockwise

---

### **For Momentary Light**

**ON** - Press Push Button

**OFF** - Release Push Button



Push  
For  
"ON"

---

### **Switch Lockout Procedure**

1. From the constant "ON" position, back the M4 Tail Cap "OFF" until the light goes out and turn the Tail Cap one full turn counterclockwise from this position.
2. Push Button switch is now locked out.
3. Restore Push Button function, rotate the Tail Cap one full turn clockwise

## **SPECIFICATIONS**

---

Power Output	MN60 - 225 Lumens MN61 - 350 Lumens
Run Time	MN60 - 60 Minutes MN61 - 35 Minutes
Battery Type	Lithium - DL123A
Number Required	Four (4)
Supplied	Yes
Length	8.9 inches
Weight	11.3 ounces
Diameter	Body - 1.0 inch Bezel - 2.5 inch
Lamp Assembly	Xenon/Halogen
Lens	Pyrex
Switch	Tail Cap Type: Rotation/Pressure Activation w/ Lock-Out Disable
Body Material	Aircraft Grade Aluminum
Finish	External: Hard Anodized Mil-A-8625, Type III, Class 2 Internal: Chemfilm Mil-C-5541
Color	Grey
Water Resistant	O-Ring Sealed

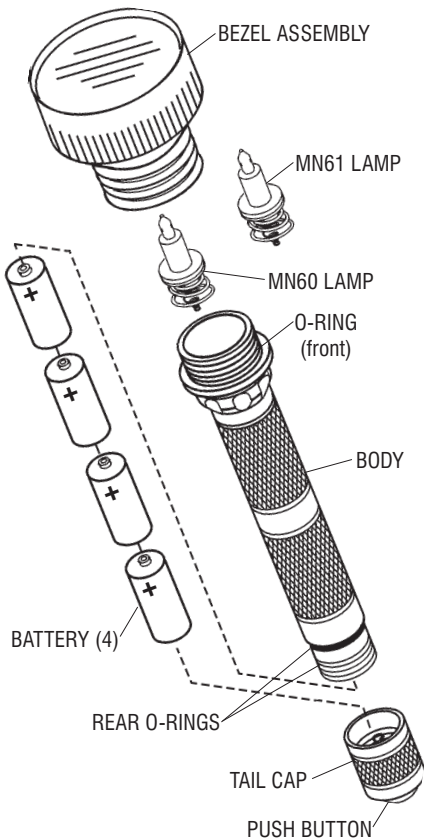
## **PARTS REPLACEMENT**

---

<b>Component</b>	<b>Part No.</b>
Lithium Battery	SF123A
Bezel Assembly	13849-1
Flashlight Body	13690-1
225 lumen Lamp Assembly	MN60
350 lumen Lamp Assembly	MN61
Lanyard	12452-31
Lanyard Ring	12455-11
Rear O-Ring Seal (front)	19-01-040
Rear O-Ring Seal (end)	19-01-077
Front O-Ring Seal	19-01-028
Lock Out Tail Cap Assembly	12708-11

# M4 DEVASTATOR

---



## **CHANGING THE LAMP**

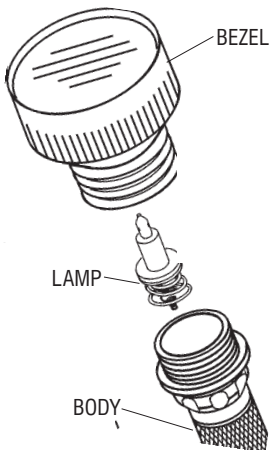
---

1. Remove the Flashlight Bezel from the Flashlight Body by holding the Body and rotating the Head counterclockwise (as viewed from the front of the Flashlight) until it is free of the Body.

2. Remove the Lamp and replace with the desired Lamp.

**Avoid touching the inside of the Lamp envelope or Reflector as this will degrade the performance of your Sure-Fire Light.**

3. Install the Bezel back on to the Body.

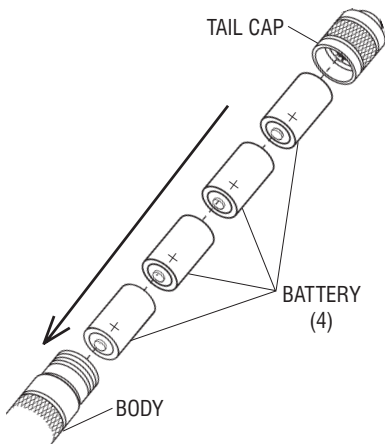




## **INSTALLING THE BATTERY**

---

1. Remove the Flashlight Tail Cap by unscrewing it until it is free of the Flashlight Body.
2. Insert the SF123A Batteries into the Flashlight Body with the positive (+) end of the batteries facing forward.
3. Install the Flashlight Tail Cap back on to the Flashlight Body by turning it until the light comes on. Then back off 1/2 to 1 turn until the light goes off.
4. The M4 is now ready for use.



---

## **CUSTOMER SERVICE**

### **REPAIRS AND REPLACEMENTS**

To obtain repair or replacement contact Customer Service at 800-828-8809 (toll free) or 714-545-9444 and obtain a Return Authorization number (RA#). Then package the unit carefully and return (no COD's please) to:

**SUREFIRE LLC**  
Repairs Department, RA# \_\_\_\_  
18300 Mt. Baldy Circle  
Fountain Valley, CA 92708

SUREFIRE will pay any reasonable shipping costs to return the unit to you.

Protected by U.S. Patent Number(s)  
6,046,572 , 6,222,138  
6,276,088 , 6,345,464

## **ACCESSORIES**

---

BeamFilters	FM25 Red
	FM26 Blue
	FM23 Infrared
Tip-Off Cover	FM27
Polymer Holster	V70
Leather Holsters	V16 Plain
	V17 Basketweave
	V18 Clorino
Tail Cap Lanyard Ring	Z26
Tail Cap Lanyard Kit	Z33
Lanyard, Black	Z27
Spares Carrier	SC2
Hurricane™ Emergency Battery Pack Light (includes 12 each DL123A)	12B

---