



**MILLENNIUM  
M2 CENTURION™  
Lithium Powered  
65/120 Lumens**

With the purchase of this SUREFIRE flashlight, you have invested in one of the world's best "illumination tools."

We believe it to be a prime example of our philosophy that design decisions should always be made in the interest of the product being the very best it can be.

Frequently, this means deciding to use a more costly process or a more expensive material than would normally be called for. We know that in order to produce the best, one must do it right.

We thank you for supporting this decision and electing to confirm our belief in "no compromise" in a product that, by its performance and reliability, may some day be called upon to save your life.

There is no other choice.

John Matthews  
President, SUREFIRE

---

## **WELCOME TO THE SUREFIRE TEAM**

You have just become the owner of one of the most incredible pieces of lighting technology ever conceived. It is a masterpiece of engineering, a member of the SUREFIRE family which has gained the acceptance and respect of military and law enforcement professionals around the world.

- SUREFIRE lights provide overwhelming power, and they do this with a quality of beam that is unmatched in brilliance and performance.
- SUREFIRE's high pressure Xenon/Halogen lamps operate at the highest temperatures possible, producing extraordinary, brilliant, white light.
- Our reflectors are machined from solid billets of aircraft grade aluminum.
- Each SUREFIRE lamp assembly is permanently prefocused to within less than five thousandths of an inch to achieve the absolutely flawless SUREFIRE beam.
- The switch is ergonomically located for in-the-dark positive activation.
- Whether you need a small light that can be carried in your pocket or a multipurpose professional light, SUREFIRE offers you models that range in power from 15 lumens to 500 lumens.
- You can have confidence that your choice of a SUREFIRE light will always reward you with years of superb, unflinching performance.

---

## **THE M2 CENTURION**

The masterfully engineered M2 Centurion is designed to give an unequaled array of benefits to the user.

As a personal defense tool, the Centurion's tremendous light can dazzle and temporarily blind an assailant.

For general use, the standard 65 lumen lamp assembly has power to light up a subject from over 80 yards away. The high output 120 lumen lamp assembly will generate almost double the field of light.

The rugged, weatherproof design and military grade, hard-anodized finish ensures exceptional durability and reliability even under the most severe conditions.

SUREFIRE's exclusive tail cap switch gives instant access to momentary light, constant illumination, or light lock-out. This unique lock-out feature prevents accidental activation of the light during covert operations, transport or storage.

Use the stainless steel belt clip to carry the Centurion on the belt or clipped in the pocket, ready when needed.

The Centurion comes standard with two lamp assemblies: a standard version that runs for approximately one hour, and a high-output lamp with a twenty (20) minute run time.

The M2 Centurion is the ultimate multi-use flashlight. Tough, powerful, compact and easy to carry, it is the flashlight that does it all.

## M2 CENTURION

---

There are two ways to activate the light from the M2. The Tail Cap switch of the Flashlight can be activated by rotating the Tail Cap in a clockwise direction for a constant "ON" setting or by pressing on the Push Button for temporary light.

### To Turn flashlight "ON"



Turn  
Tail Cap  
for  
"ON"

### For Constant Light

**ON** - Turn Tail Cap clockwise  
(viewed from the tail)

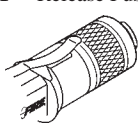
**OFF** - Turn Tail Cap counterclockwise

---

### For Momentary Light

**ON** - Press Push Button

**OFF** - Release Push Button



Push  
For  
"ON"

---

### Switch Lockout Procedure

1. From the constant "ON" position, back the M2 Tail Cap "OFF" until the light goes out and turn the Tail Cap one full turn counterclockwise from this position.
2. Push Button switch is now locked out.
3. To restore Push Button function, rotate the Tail Cap one full turn clockwise.

## **SPECIFICATIONS**

---

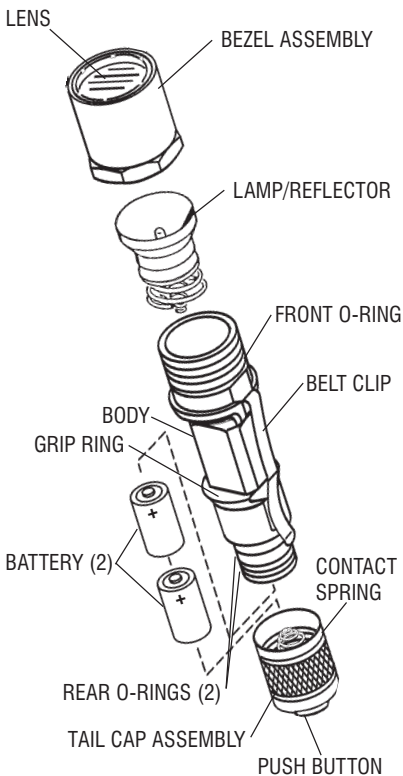
Output Power	P60 - 65 Lumens P61 - 120 Lumens
Run Time	P60 - 60 Minutes P61 - 20 Minutes
Battery Type	Lithium - SF123A
Number Required	Two
Supplied	Yes
Length	5.2 inches
Weight	5.25 ounces
Diameter	Body - 1.0 inch Bezel - 1.47 inch
Lamp Assembly	Xenon P60 Xenon/Halogen P61
Switch	Tail Cap Type: Rotation/Pressure Activation w/ Lock-Out Disable
Lens	Pyrex, Tempered
Pocket Clip	Spring Stainless Steel (Removable)
Body Material	Aircraft Grade Aluminum
Finish	External: Hard Anodized Mil-A-8625, Type III, Class 2 Internal: Chemfilm Mil-C-5541
Color	Grey
Water Resistant	O-Ring Sealed

## **PARTS REPLACEMENT LIST**

<b>Component</b>	<b>Part No.</b>
Lithium Battery	SF123A
Belt Clip	13597-1
Bezel Assembly	13586-1
Flashlight Body	13600-1
Grip Ring	13595-1
65 lumen Lamp Assembly	P60
120 lumen Lamp Assembly	P61
Lens	13656-31
Rear O-Ring Seal (front)	19-01-040
Rear O-Ring Seal (end)	19-01-077
Front O-Ring Seal	19-01-096
Lock Out Tail Cap Assembly	12708-11

# M2 CENTURION

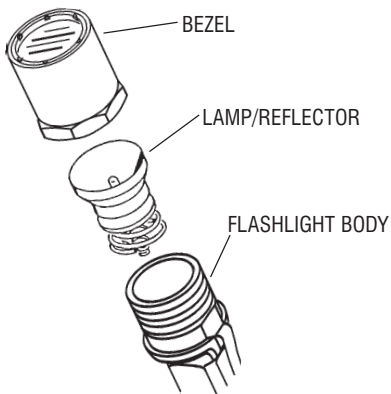
---



## CHANGING THE LAMP

---

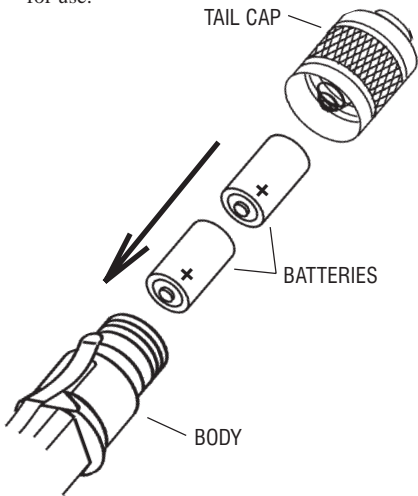
1. Remove the Flashlight Bezel from the Flashlight Body by holding the Body and rotating the Head counterclockwise (as viewed from the front of the Flashlight) until it is free of the Body.
2. Remove the Lamp/ Reflector and replace with the desired Lamp/Reflector.  
**Avoid touching the inside of the Lamp envelope or Reflector as this will degrade the performance of your Sure-Fire Light.**
3. Install the Bezel back on to the Body.





## **INSTALLING THE BATTERY**

1. Remove the Flashlight Tail Cap by unscrewing it until it is free of the Flashlight Body.
2. Insert the SF123A Lithium Batteries into the Flashlight Body, observing proper polarity.
3. Install the Flashlight Tail Cap back on to the Flashlight Body by turning it until the light comes on. Then back off 1/2 to 1 turn until the light turns off.
4. The M2 Centurion Flashlight is now ready for use.



## **CUSTOMER SERVICE**

---

### REPAIRS AND REPLACEMENTS

To obtain repair or replacement contact Customer Service at 800-828-8809 (toll free) or 714-545-9444 and obtain a Return Authorization number (RA#). Then package the unit carefully and return (no COD's please) to:

SUREFIRE L.L.C.  
Repairs Department, RA# \_\_\_\_  
18300 Mt. Baldy Circle  
Fountain Valley, CA 92708

SUREFIRE will pay any reasonable shipping costs to return the unit to you.

Protected by U.S. Patent Number(s)  
5,642,932 , 6,046,572 , 6,222,138

## **ACCESSORIES**

---

BeamFilters	Red	F66
	Blue	F67
	Infrared	F69

---

BeamShaper	F70
------------	-----

---

Tip-Off Cover	F62
---------------	-----

---

Traffic Cone - Red	F68
--------------------	-----

---

Turbo Head	KT1
------------	-----

---

Polymer Holster	V72
-----------------	-----

---

### Nylon Holsters

Loop attachment	V20
-----------------	-----

Quick release	V21
---------------	-----

---

CarryAll Pouch	V50
----------------	-----

---

Headband Flashlight Holder	V80
----------------------------	-----

---

Tail Cap Lanyard Ring	Z26
-----------------------	-----

---

Lanyard, Black	Z27
----------------	-----

---

Tail Cap Lanyard Kit	Z33
----------------------	-----

---

Spares Carrier	SC1
----------------	-----

---

Hurricane™ Emergency	12B
----------------------	-----

Battery Pack Light  
(includes 12 each SF123A)

### Custom Engraving:

Engraving of name, logo, slogan or other icons is available to personalize your SUREFIRE product.

Call Customer Service.