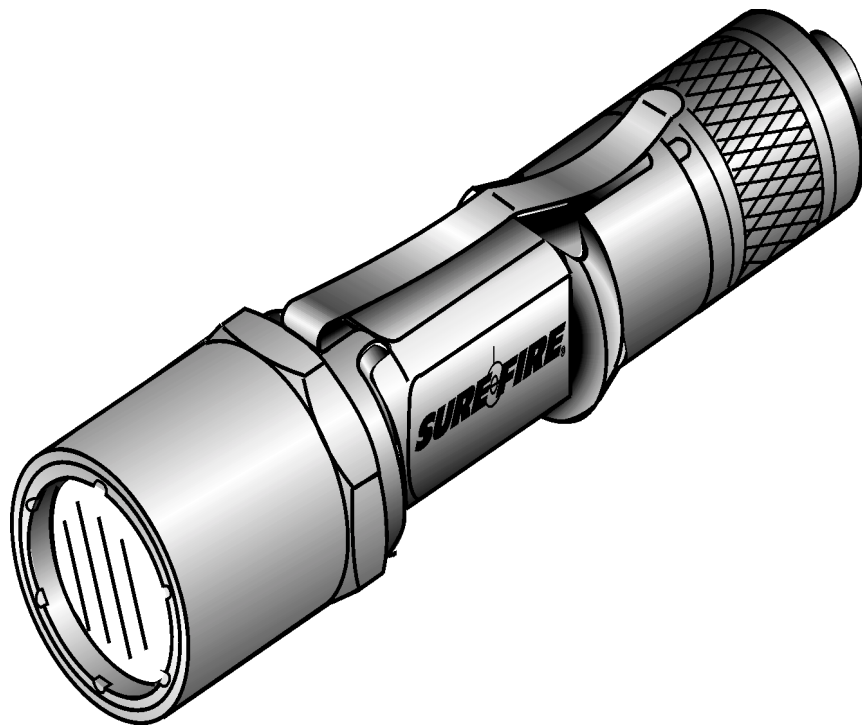

SUREFIRE®

Model M2

Centurion Flashlight

Users Manual



Lithium Powered

Revision A 10_1_2000

Model M2 Centurion Flashlight

Introduction

The Centurion uses the P60 High Pressure Xenon Lamp Assembly to produce a superlative beam rated at 65 lumens. Powered by two lithium Duracell DL123A batteries, it has a run time of one hour. The brighter P61 Lamp Assembly, produces 120 lumens at a shorter run time of 20 minutes. Both lamp assemblies are furnished standard with the Centurion.

The Model M2 Centurion incorporates features that make it the ultimate Personal Defense Light. Waterproof, with stainless steel pocket clip, it features the SURE-FIRE lock-out tail cap switch which disables the light from activation during transport, storage or operations. This Tail Cap allows for Momentary use, constant ON and Disable. The octagonal bezel keeps the light from rolling on non-level surfaces, and holds a Pyrex, scratch resistant window. The Centurion also features an ergonomic, flat-sided body and rubber grip ring, which provides an excellent grip, similar to that on our CombatLights. Precision machined from solid aircraft grade aluminum, the Centurion has mil-spec Type 3 hard anodizing, giving it increased ruggedness and resistance to wear over the years. Each SURE-FIRE lamp assembly is individually focused at the factory, bonded in its reflector, to assure a perfect, flawless beam.

Kit Contents

- Centurion Flashlight
- P61 Lamp Assembly
- DL123A Battery (2)
- Users Manual

Installation

1. Remove the Bezel and Lamp Assembly from the Flashlight by unscrewing the Bezel (counterclockwise) until it comes off the Flashlight.
2. Install the two batteries with the + terminal facing out.
3. Re-install the Bezel and Lamp Assembly by placing the Lamp Assembly inside the Bezel and then screwing the Bezel (clockwise) onto the Flashlight Body until it is seated.
4. DO NOT TOUCH the reflector or Lamp surfaces. The oil from your skin can degrade the surfaces and reduce the performance of your flashlight.

Operation

1. **LAMP ON.** Turn the Tail Cap clockwise in relation to the Lamp Housing until snug, the Lamp will come ON.
2. **MOMENTARY OFF/ON.** Turn off the flashlight by rotating the Tail Cap counterclockwise 1/8 turn from the constant ON position. Press on the rubber Push Button on the rear of the Flashlight and the light will come ON and stay ON as long as the button is depressed.
3. **REMOVAL OF THE BELT CLIP.** Unscrew Bezel and slide Belt Clip off body of flashlight.
4. **STORING.** Unscrew the Tail Cap one full turn counterclockwise and the switch is locked out.

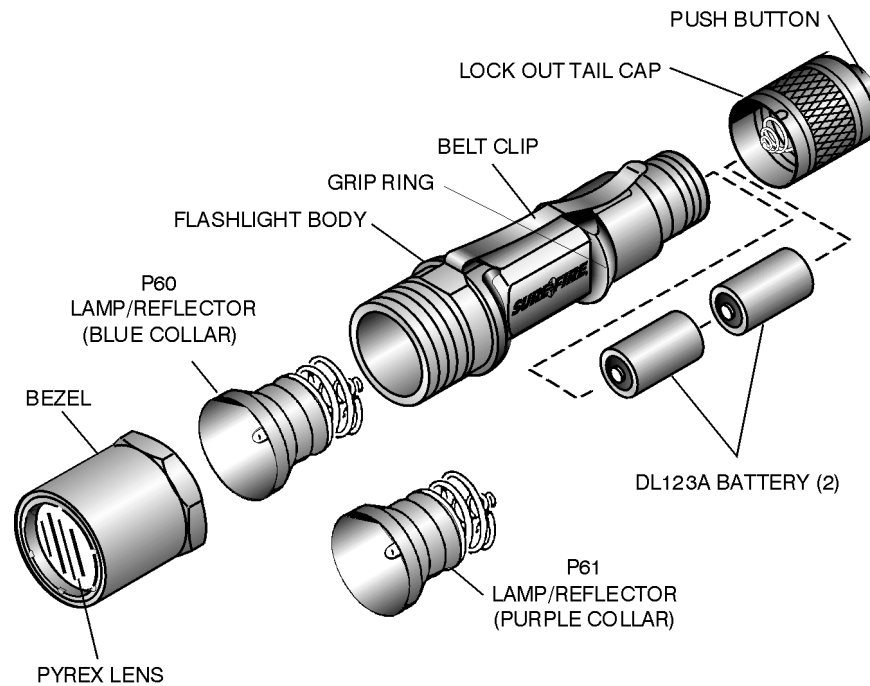
Lamp Replacement

1. Unscrew Bezel from Flashlight Body and lift Lamp/Reflector Assembly out of Bezel.
2. Install replacement Lamp/Reflector Assembly in Bezel and reassemble by screwing onto Flashlight Body.

Battery Replacement

1. Unscrew Bezel from Flashlight Body and shake out old Batteries.
2. Install new Batteries with the + terminal facing out.
3. Reinstall Lamp Module.

Note: Use only Duracell™ DL123A batteries in order to achieve the high output expected from the Centurion flashlight. Do not mix old and new batteries.



Centurion Accessories

- Hurricane Battery Pack Light - 12 DL123A Batteries in case
- Spares Carrier Model SC1 holds extra Lamp and 6 DL123A Batteries

Beamshaper™ & Beam Filter

- F24 Wide Angle Beamshaper
- F26 Red
- F16 Infrared
- F27 Blue

Holsters/Light Transport Systems attach to belts

- V50 Carry All Pouch, Black
- V51 Carry All Pouch, Camo
- V52 Carry All Pouch, Blue
- V53 Carry All Pouch, Green

Model M2 Centurion Flashlight

Specifications

P60 Lamp/Reflector Assy	Prefocused
Light Output	65 Lumens
Run Time	Approx. 1 hour
Lamp Type	High Press. Xenon
P61 Lamp/Reflector Assy	Prefocused
Light Output	120 Lumens
Run Time	Approx. 20 Min.
Lamp Type	Xenon/Halogen
Battery Type	Lithium
Battery Shelf Life	5 to 10 years

CAUTION

The battery used in the light is very powerful. Be sure that the switch is not touching anything when the light is stored. If the lamp is turned on while in a case or other container, the lamp can overheat and damage the light or surrounding materials. Remove the battery or unscrew the Lockout Tail Cap one full turn to prevent the lamp from turning on when stored. If it is necessary to dispose of any batteries, do not do so by fire, mutilation or by disassembly, as this may cause toxic chemicals to be released.

WARNING

Lithium batteries can explode or cause burns if disassembled, shorted, recharged or exposed to fire or high temperatures. Please handle with care.

CAUTION

Do Not attach Centurion flashlights to weapons. The lamps and batteries will FAIL! Lamps and batteries used in Laser Products tactical lights are shock isolated to withstand the shock of weapons being fired. Centurion flashlight lamps and batteries are not.

Repairs & Replacements

To obtain repair or replacement call Customer Service at 800-828-8809 (toll free) or 714-545-9444 and obtain a Return Authorization number (RA). Then pack the unit carefully and return (no COD's please) to:

Laser Products
Repairs Department, RA# _____
18300 Mt. Baldy Circle
Fountain Valley, CA 92708-6122

Laser Products will pay any reasonable shipping costs to return the unit to you.

Warranty

Laser Products warrants that its products will be free from defects in materials and workmanship. Laser Products will repair or replace (at its option), without charge, any product or part which is found to be defective under normal use and service. Such repair or replacement shall be the purchaser's sole and exclusive remedy under this warranty. This warranty does not include normal maintenance and services and does not apply to any products or parts which have been subject to modification, misuse, negligence, accident, improper maintenance or repair by anyone other than Laser Products.

"Fine Print" Warranty Limitation

There is no other express warranty. Laser Products hereby disclaims any and all implied warranties, including, but not limited to fitness for a particular purpose. Laser Products shall not be liable for incidental, consequential, or special damages arising out of, or in connection with product use or performance.

um_M2_0.C01
71-01-308

18300 Mt. Baldy Circle, Fountain Valley, CA 92708-6122
www.surefire.com

(714) 545-9444