
Model L6

L6 Digital LumaMax™ LED Flashlight

Operator's Manual



**Digitally-Controlled
Five-Watt LED Flashlight**

Revision A 7-1-2004

SUREFIRE®

L6 LumaMax LED

Introduction

The L6 LumaMax™ is fitted with a five-watt, white LED module. Powered by three 3-volt lithium batteries, the L6 features digital current regulation circuitry that matches the LED's current requirements to the batteries' output to achieve a consistent level of light output for the useable life of the batteries. The L6 LumaMax features a click-on/click-off tailcap pushbutton switch.

Light Activation

Partially depress the tailcap pushbutton switch for momentary activation. **Note:** If light fails to function, the tailcap may be in the lock-out position; tighten the tailcap by rotating clockwise. For constant light, fully depress the tailcap pushbutton switch to the "click-on" position.

CAUTION: SureFire® flashlights produce substantial heat during operation: Do not leave activated flashlight unattended. Do not set activated flashlight face (lens) down. Do not place activated flashlight against combustible material or material that could be damaged by heat. Do not hold bezel or lens of activated flashlight against any portion of human body. Keep away from children.

Ensure that the flashlight cannot be turned on when stored or being transported. If the lamp is activated while in a case or other container, the lamp could overheat and cause damage to surrounding materials.

Operation

Battery Replacement

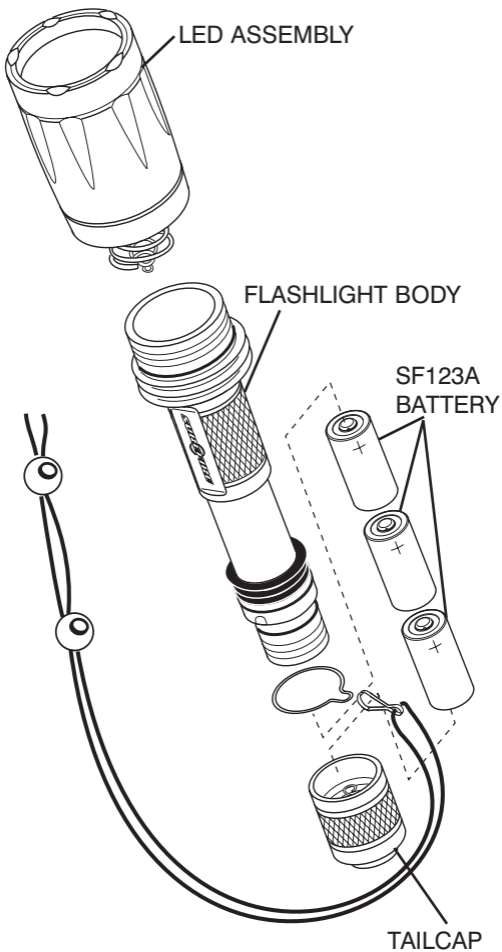
Unscrew the tailcap and insert new batteries with positive ends towards LED assembly. Replace tailcap and hand tighten. Depress tailcap pushbutton switch to test. **Note:** If batteries are inserted with positive ends towards the tailcap, the unit will not light. Damage will not occur. Reinsert batteries with positive ends towards the LED assembly.

WARNING: Lithium batteries can explode or cause burns if disassembled, shorted, recharged, exposed to water, fire, or high temperatures. Do not place loose batteries in a pocket, purse or other container containing metal objects, mix with used or other battery types, or store with hazardous or combustible materials. Store in cool, dry, ventilated area. Follow applicable laws and regulations for disposal.

Maintenance

Clean and lubricate threads with a clean cloth and apply thin coat of silicon-based lubricant to rubber O-rings. **Note:** Do not use petroleum-based lubrication on SureFire O-rings. After prolonged exposure to moisture, the bezel and batteries should be removed, inspected, and dried if necessary.

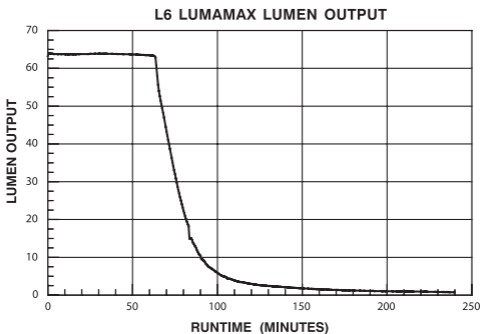
This unit has  approval



Output & Runtime

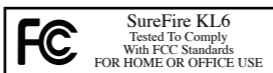
Accurately specifying light output (lumens) and runtime is more complicated for LED flashlights than it is for tungsten lamp flashlights.

The light output of the L6 exceeds that of comparable SureFire tungsten lamp flashlights (6P, C2, E2e, etc.), and runtime is longer than the one hour specified for these tungsten lamp flashlights.



The curve on the Beam Lumen Output graph indicates a drop in output after 65 minutes, however usable light is available for more than 15 hours.

All beam lumen output curves were measured using an integrating sphere with a photopic detector.



L6 LumaMax LED

Warranty Claims

For repair or replacement contact Customer Service at **800-828-8809** (toll free) or **714-545-9444** and obtain a Return Merchandise Authorization number (RMA#). Then package the unit carefully and return (no COD's please) to:

SureFire
Repairs Department, RMA# _____
17680 Newhope Street, Suite B
Fountain Valley, CA 92708-6122

SureFire will pay any reasonable shipping costs to return the unit to you.

Warranty

SureFire® warrants its products to be free from defects in materials and workmanship. SureFire will repair or replace, at its option without charge, any product or part which is found to be defective under normal use and service. Such repair or replacement shall be the purchaser's sole and exclusive remedy under this warranty. This warranty does not include normal maintenance and services and does not apply to any products or parts that have been subjected to modification, misuse, negligence, accident, improper maintenance or repair by anyone other than SureFire.

Warranty Limitation

There is no other express warranty. SureFire® hereby disclaims any and all implied warranties, including but not limited to fitness for a particular purpose. SureFire shall not be liable for incidental, consequential, or special damages arising out of, or in connection with, product use or performance.

UM_L6
71-01-633

