
Model L2

L2 LumaMax™ LED Flashlight

Operator's Manual



**Digitally-Controlled
5-Watt LED Flashlight**

Revision N/C 2-1-2004

SUREFIRE®

L2 LumaMax LED

Introduction

The L2 LumaMax™ is fitted with a 5-watt white LED module. Powered by two 3-volt 123A lithium batteries, the L2 features digital current regulation circuitry that matches the LED's current requirements to the batteries' output to achieve a consistent level of light output for the useable life of the batteries. The two-stage switch gives the user a choice of either a low-output beam or a high-output beam from a single switch.

Light Activation

Pressing the pushbutton switch slightly activates the low-output beam. Peppressing the pushbutton completely activates the high-output beam. For constant-on activation, rotate the tailcap clockwise until the LED activates; continue rotating to activate high-output beam.

Note: If pushbutton fails to activate light, the tailcap may be in the lock-out position. Rotate the tailcap clockwise until the light can be momentarily activated.

CAUTION: The L2 LumaMax is a high-output lighting device and should not be left on unattended. External surface temperature will rise during prolonged operation; this is a normal operating phenomenon.

Lock-out Tailcap (U.S. Patent Number 6,222,138)

The lock-out position disables the pushbutton switch and prevents accidental light activation during storage or transportation. From the momentary-on position, rotate the tailcap approximately 1.5 turns counter-clockwise to lock the light in the off position.

Operation

Battery Replacement

Unscrew the tailcap and insert new batteries with positive ends towards LED head assembly. Replace tailcap and hand tighten. Press tailcap pushbutton switch to test.

Note: If batteries are inserted with positive ends towards the tailcap, the unit will not light. Damage will not occur. Reinsert batteries with positive ends towards the LED assembly.

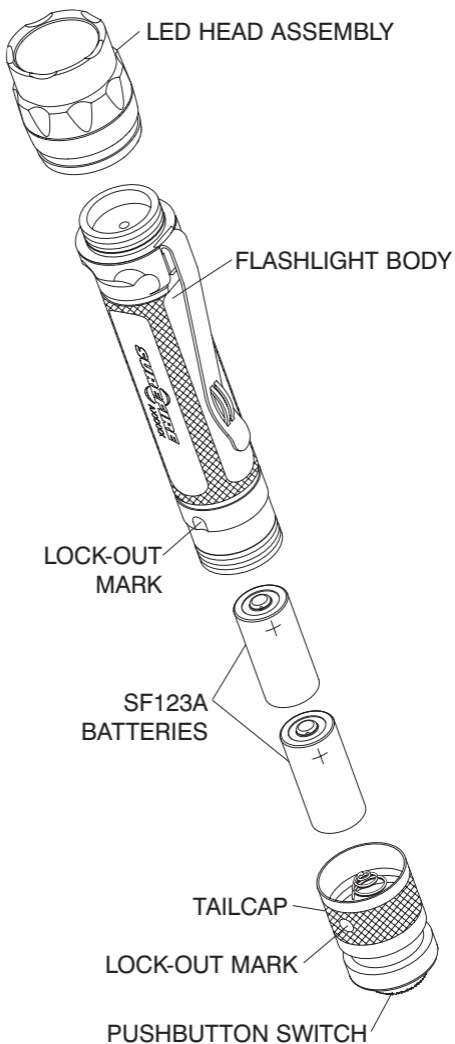
WARNING: Lithium batteries can explode or cause burns if disassembled, shorted, recharged, exposed to water, fire, or high temperatures. Do not place loose batteries in a pocket, purse or other container containing metal objects, mix with used or other battery types, or store with hazardous or combustible materials. Store in cool, dry, ventilated area. Follow applicable laws and regulations for disposal.

Maintenance

Clean and lubricate threads with a clean cloth and apply thin coat of silicon-based lubricant to rubber O-rings.

Note: Do not use petroleum-based lubrication on SureFire O-rings. After prolonged exposure to moisture, the bezel and batteries should be removed, inspected, and dried if necessary.

This unit has  approval



L2 LumaMax LED

Output & Runtime

Accurately specifying light output (lumens) and runtime is more complicated for LED flashlights than it is for tungsten lamp flashlights.

The light output of the L2 exceeds that of comparable SureFire tungsten lamp flashlights (6P, C2, E2e, etc.).



SureFire L2
Tested To Comply
With FCC Standards
FOR HOME OR OFFICE USE

L2 LumaMax LED

Warranty Claims

For repair or replacement contact Customer Service at **800-828-8809** (toll free) or **714-545-9444** and obtain a Return Merchandise Authorization number (RMA#). Then package the unit carefully and return (no COD's please) to:

SureFire
Repairs Department, RA# _____
17680 Newhope Street, Suite B
Fountain Valley, CA 92708-6122

SureFire will pay any reasonable shipping costs to return the unit to you.

Warranty

SureFire® warrants its products to be free from defects in materials and workmanship. SureFire will repair or replace, at its option without charge, any product or part which is found to be defective under normal use and service. Such repair or replacement shall be the purchaser's sole and exclusive remedy under this warranty. This warranty does not include normal maintenance and services and does not apply to any products or parts that have been subjected to modification, misuse, negligence, accident, improper maintenance or repair by anyone other than SureFire.

Warranty Limitation

There is no other express warranty. SureFire® hereby disclaims any and all implied warranties, including but not limited to fitness for a particular purpose. SureFire shall not be liable for incidental, consequential, or special damages arising out of, or in connection with, product use or performance.

UM_L2
71-01-645

