



EXECUTIVE SERIES

Lithium Powered Flashlights

With the purchase of this SureFire flashlight, you have invested in one of the world's best "illumination tools."

We believe it to be a prime example of our philosophy that design decisions should always be made in the interest of the product being the very best it can be.

Frequently, this means deciding to use a more costly process or a more expensive material than would normally be called for. We know that in order to produce the best, one must do it right.

We thank you for supporting this decision and electing to confirm our belief in "no compromise" in a product that, by its performance and reliability, may some day be called upon to save your life.

There is no other choice.

John Matthews
President, SureFire

WELCOME TO THE SUREFIRE TEAM

You have just become the owner of one of the most incredible pieces of lighting technology ever conceived. It is a masterpiece of engineering, a member of the SUREFIRE family which has gained the acceptance and respect of military and law enforcement professionals around the world.

You can have confidence that your choice of a SUREFIRE light will always reward you with years of superb, unfailing performance.

THE EXECUTIVE SERIES

Slim, unobtrusive, and extremely powerful, Executive series flashlights are a favorite of undercover police officers, who appreciate the fact that these compact flashlights are as powerful as much larger flashlights yet remain small enough to hide in a pocket.

SureFire strives to design and manufacture lights of ever increasing brightness and quality while setting new standards for maximum power with minimal size. Three things characterize every product: compact size, flawless high-output beam, and extreme ruggedness. Every SureFire illumination tool is guaranteed to produce a flawless beam and spot surrounded by a perfect corona of softer light.

To push the limits of light output, SureFire lamps feature a tungsten filament in a high-pressure Xenon gas atmosphere.

To ensure maximum output, each lamp and reflector are matched at the factory and pre-focused within .005". No need to twist the bezel to get your light in focus, it's already done no matter what distance you are looking at.

LIGHT ACTIVATION

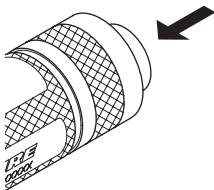
The Executive Series has two methods of light activation. The tailcap pushbutton switch can be pressed for momentary and constant light.

MOMENTARY-ON

Partially depress the tailcap pushbutton switch for momentary activation. **Note:** If light fails to function, the tailcap may be in the lock-out position; the tailcap must be tightened for the light to activate.

CONSTANT-ON

For constant light, fully depress the tailcap pushbutton switch to the “click-on” position.



CAUTION

Ensure that the flashlight cannot be turned on when stored or being transported. If the lamp is activated while in a case or other container, the lamp could overheat and cause damage to surrounding materials. Store flashlight in the lock-out position or remove batteries.

FOR ONE-BATTERY MODELS

HIGH-OUTPUT

MN01 Lamp Assembly

Runtime/lumen output

90 minutes/15 lumens

FOR TWO-BATTERY MODELS

HIGH-OUTPUT

MN02 Lamp Assembly

Runtime/lumen output

2.5 hours/25 lumens

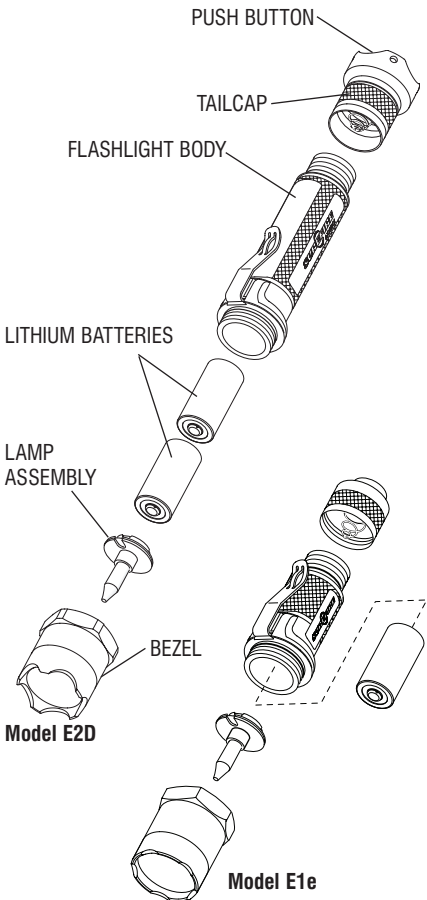
ULTRA HIGH-OUTPUT

MN03 Lamp Assembly

Runtime/lumen output

75 minutes/60 lumens

EXECUTIVE SERIES



BATTERY INSTALLATION

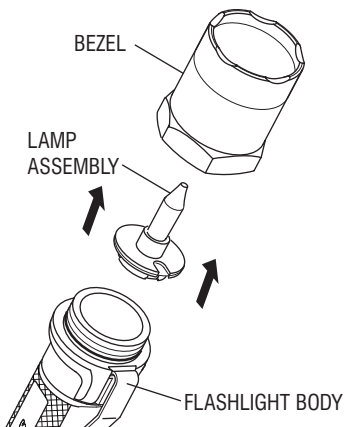
1. Unscrew the bezel and insert new batteries with the positive (+) terminals facing bezel. Replace bezel and depress tailcap pushbutton switch to test. If light fails to function, the tailcap may be in the lock-out position. Rotate the tailcap clockwise until momentary activation is possible.

CAUTION

Lithium batteries can explode or cause burns if disassembled, shorted, recharged, exposed to water, fire, or high temperatures. Do not place loose batteries in pocket, purse, or other container containing metal objects, mix with used or other battery types, or store with hazardous or combustable materials. Store in cool, dry, ventilated area. Follow applicable laws and regulations for disposal.

LIGHT ACTIVATION

Rotate bezel (head) counter-clockwise to remove. Remove lamp/reflector assembly and replace with recommended assembly.



CUSTOMER SERVICE

Repairs and Replacements

To obtain repair or replacement contact Customer Service at 800-828-8809 (toll free) or 714-545-9444 and obtain a Return Authorization number (RA#). Then package the unit carefully and return (no COD's please) to:

SureFire LLC
Repairs Department, RA# ____
17680 Newhope Street, Suite B
Fountain Valley, CA 92708

SureFire will pay any reasonable shipping costs to return the unit to you.

©SureFire LLC 2001 All Rights Reserved

14150-19 /4-1-05

ACCESSORIES

BeamFilters:	Red	F05
	Blue	F06
	Infrared	F03

BeamShaper	F04
------------	-----

SC3 Spares Carrier	SC3
--------------------	-----

Quick-Detach Holster	V82
----------------------	-----

Lanyard with Ring	Z50
-------------------	-----

KL1 LED Conversion Head	KL1
-------------------------	-----

KL4 LED Conversion Head (KL4 for use with E2e & E2D only)	KL4
--	-----

Custom Engraving:

Engraving of name, logo, slogan or other icons is available to personalize your SureFire product.

Call Customer Service For Details.