



POWERSELECT™
9AN
COMMANDER™
20/140 Lumens

Congratulations, with the purchase of this SUREFIRE flashlight, you have invested in one of the world's best "illumination tools."

We believe it to be a prime example of our philosophy that design decisions should always be made in the interest of the product being the very best it can be.

Frequently, this means deciding to use a more costly process or a more expensive material than would normally be called for. We know that in order to produce the best, one must do it right.

We thank you for supporting this decision and electing to confirm our belief in "no compromise" in a product that, by its performance and reliability, may some day be called upon to save your life.

There is no other choice.

John Matthews
President, SUREFIRE

WELCOME TO THE SUREFIRE TEAM

You have just become the owner of one of the most incredible pieces of lighting technology ever conceived. It is a masterpiece of engineering, a member of the SUREFIRE family which has gained the acceptance and respect of military and law enforcement professionals around the world.

- SUREFIRE lights provide overwhelming power, and they do this with a quality of beam that is unmatched in brilliance and performance.
- SUREFIRE's high pressure Xenon/Halogen lamps operate at the highest temperatures possible, producing extraordinary, brilliant, white light.
- Our reflectors are machined from solid billets of aircraft grade aluminum.
- Each SUREFIRE lamp assembly is permanently prefocused to within less than five thousandths of an inch to achieve the absolutely flawless SUREFIRE beam.
- The switch is ergonomically located for in-the-dark positive activation.
- Whether you need a small light that can be carried in your pocket or a multipurpose professional light, SUREFIRE offers you models that range in power from 15 lumens to 500 lumens.
- You can have confidence that your choice of a SUREFIRE light will always reward you with years of superb, unflinching performance.

THE 9AN COMMANDER

The 9AN Commander Rechargeable Flashlight is a masterpiece of engineering.

This is a one-of-a-kind, high performance unit that does the job of two flashlights. Simply rotate the 9AN head to choose one of two power settings; one projects a low, soft 20 lumen light for close-up activities such as report writing, and the other level gives you a brilliant, high-power 140 lumen beam with the intensity to temporarily blind an attacker.

The slender size is right for carrying on your duty belt; it's less than half the weight of most side arms.

The flawless light beam features the acclaimed exclusive Sure-Fire design that combines an intense prefocused spotlight center with a surrounding smooth and uniform wide-angle floodlight.

The tail cap switch enables you to hold the flashlight in the preferred overhand grip, which gives you quick switch access, even by feel, regardless of the position of the flashlight in your hand.

Recharging the battery can be done in two (2) hours or less with the AC charger or the 12VDC auto adaptor.

When you may be checking for eye dilation one moment and searching a warehouse the next, the 9AN Commander is the only flashlight with the power range that will meet your needs.

9AN COMMANDER

There are two ways to activate the light from the 9AN. The Tail Cap switch of the Flashlight can be activated by rotating the Tail Cap in a clockwise direction for a constant "ON" setting or by pressing on the Push Button for temporary light.

To Turn Flashlight "ON"



Turn
Tail Cap
for
"ON"

For Constant Light

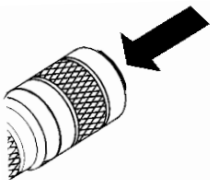
ON - Turn Tail Cap clockwise
(viewed from the tail)

OFF - Turn Tail Cap counterclockwise

For Momentary Light

ON - Press Push Button

OFF - Release Push Button



Push
For
"ON"

SPECIFICATIONS

Power Output	20/140 Lumens - N90
Run Time	20 lumens - 120 Minutes 140 lumens - 40 Minutes
Battery Type	Ni-Cd
Number Required	One (1)
Supplied	Yes
Length	7.9 inches
Weight	12.9 ounces
Diameter	Body - 1.28 inch Bezel -1.63 inch
Lamp Assembly	Xenon
Lens	Pyrex, Tempered
ON/OFF Switch	Tail Cap Type: Rotation/Pressure Activation
Power Output Selection Switch	Bezel Type: Rotation
Body Material	Aircraft Grade Aluminum
Finish	External: Anodized Internal: Chemfilm Mil-C-5541
Color	Black, Grey
Water Resistant	O-Ring Sealed

ACCESSORIES

BeamFilters	Red	F36
	Blue	F37
	Infrared	F39
BeamShaper		F34
Tip-Off Cover		F32
Traffic Cone	Red	F38
Turbo Head		KT3
Polymer Holster		V71
Nylon Holsters		V41, V41
Leather Holsters		V46 Plain V47 Basketweave V48 Clorino

PARTS REPLACEMENT LIST

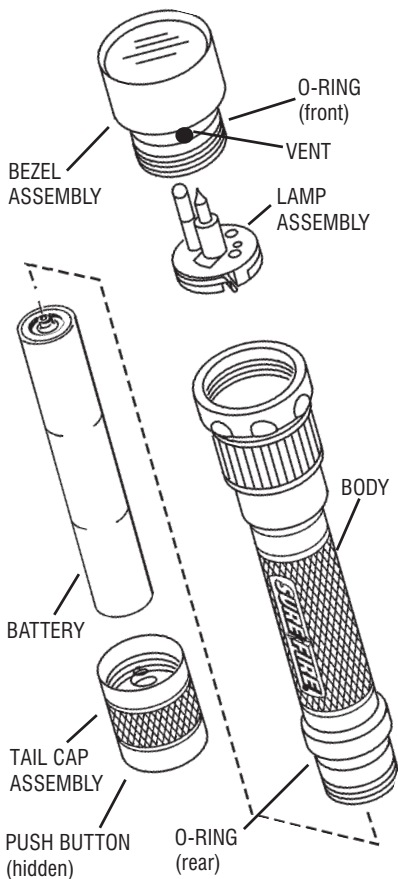
Component	Part No.
Battery - Nc-Cd	B90
Bezel Assembly	13270
Flashlight Body	14108
Lamp Assy	N90
Lens	11956-1
O-Ring Seal (rear)	19-01-040
O-Ring Seal (front)	19-01-023
Lock Out Tail Cap Assy	12708

WARNING

The Reflector Body is vented for use with Ni-Cd batteries. Ni-Cd batteries can release combustible gasses during discharge. In a sealed battery compartment these gases could build-up and might damage the battery or even cause injury to the user. The vent prevents this build-up and is an essential safety requirement.

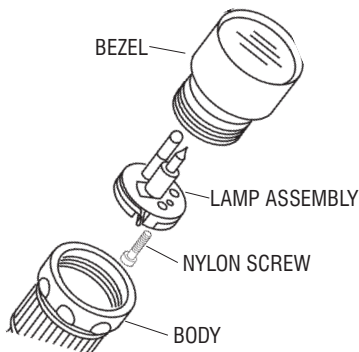
DO NOT BLOCK THE VENT.

9AN COMMANDER



CHANGING THE LAMP

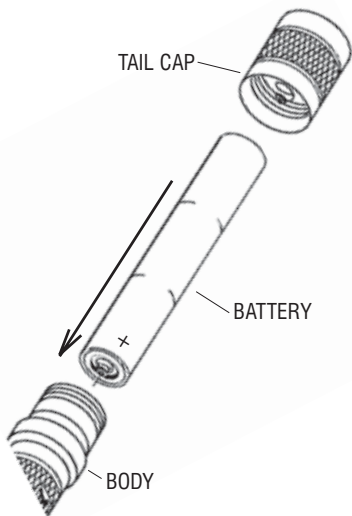
1. Remove the Flashlight Head from the Flashlight Body by holding the Head and rotating the Body counterclockwise (as viewed from the tail of the Flashlight) until it is free of the Head.
2. Remove the Nylon Screw that is securing the Lamp Assembly to the Bezel.
3. Remove the inoperative Lamp Assembly and replace with the new N90 Lamp Assembly.
Avoid touching the inside of the Lamp envelope as this will degrade the performance of your SUREFIRE Light.
4. Secure the Lamp Assembly to the Bezel by installing the Nylon Screw.
5. Install the Bezel back on to the Body.



INSTALLING THE BATTERY

1. Remove the Flashlight Tail Cap by unscrewing it until it is free of the Flashlight Body.
2. Insert the B90 Ni-Cd Battery, observing proper battery polarity, into the Flashlight Body.
3. Install the Flashlight Tail Cap back on to the Flashlight Body by turning it until the light comes on. Then back off 1/2 to 1 turn until the light turns off.
4. The 9AN Commander is now ready for use.

Be sure to charge the battery before first use.



SELECTING POWER LEVEL

The 9AN Commander has two separate lamp assemblies within the bezel reflector. When operating on the general use beam of 20 lumens only one lamp assembly is activated. For the high power 140 lumen beam both lamp assemblies are activated

For 140 Lumen Beam

While holding the Head of the 9AN, turn the Body of the 9AN clockwise until it is fully screwed into the Head. The High Power beam will be turned on when the Tail Cap switch is activated.

For 20 Lumen Beam

While holding the Head of the 9AN, turn the Body clockwise until it is fully screwed into the Head and then unscrew approximately 1/4 turn (90 degrees) counterclockwise. The general use beam will be turned on when the Tail Cap switch is activated.

CUSTOMER SERVICE

REPAIRS AND REPLACEMENTS

To obtain repair or replacement contact Customer Service at 800-828-8809 (toll free) or 714-545-9444 and obtain a Return Authorization number (RA#). Then package the unit carefully and return (no COD's please) to:

SUREFIRE LLC
Repairs Department, RA# ____
18300 Mt. Baldy Circle
Fountain Valley, CA 92708

SUREFIRE will pay any reasonable shipping costs to return the unit to you.

Protected by U.S. Patent Number(s)
6,046,572 , 6,222,138 , 5,629,105