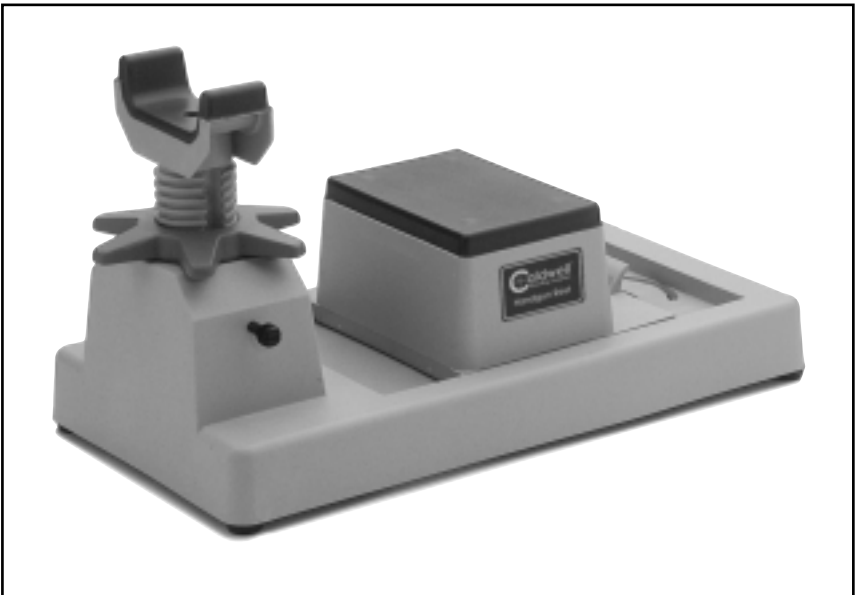




On-Target

Handgun Shooting Rest

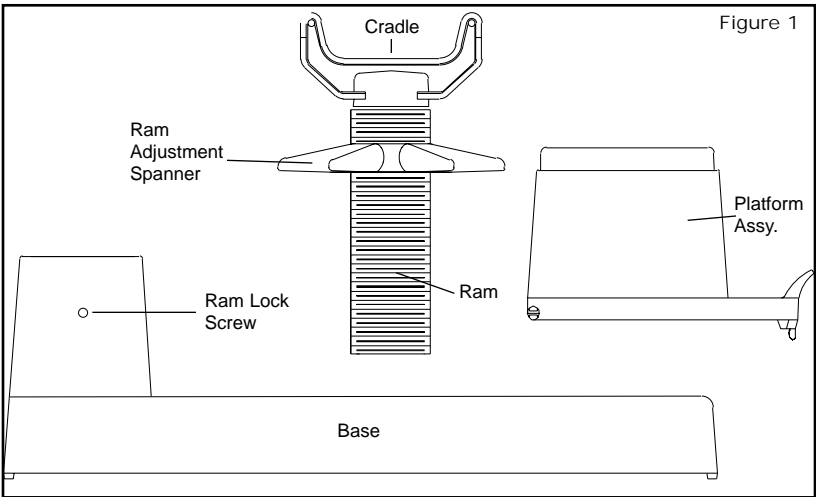


Instructions

Thank you for purchasing the Caldwell™ On-Target Handgun Shooting Rest. This rest is versatile enough to accommodate almost any handgun and shooting style. It provides the handgun shooter with a convenient, stable and accurate shooting platform. Adjustments are provided for barrel length in 1" increments and for height in infinite adjustments. The rest is lightweight, yet stable.

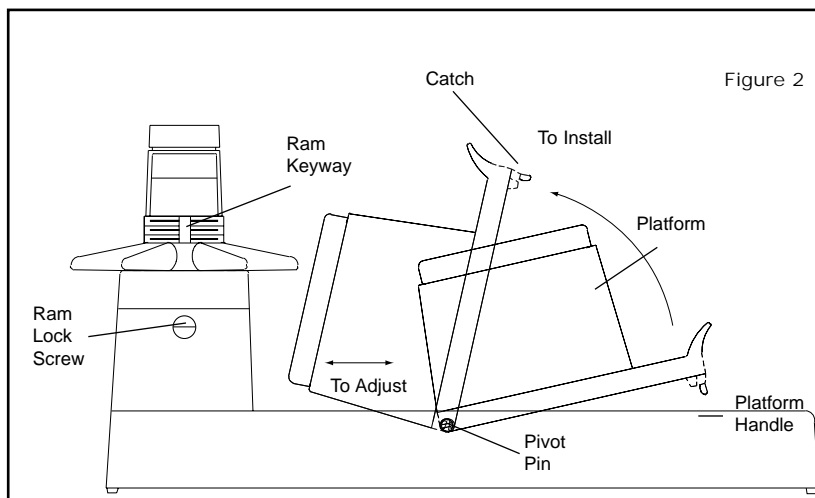
To assemble:

1. Check to make sure all parts are present (figure 1).
2. Insert Ram into center hole in Base and align the keyway on Ram to the screw hole in the left side of the Base.
3. Tighten the Ram Lock Screw until it enters the keyway in the ram and contacts the Ram.
4. Tilt Platform all the way up until the Catch is pointing up. Angle the platform so that the pivot pins clear the guideways and can enter the guide slots. Rotate the Platform back straight with the base and lower down into position. The Catch will fit into the curved locking slots when properly positioned (Figure 2)



To use:

1. Adjust the position of the platform by lifting the Platform Handle so the Catch clears the locking slots in the base (figure 2). Keeping the platform raised, move it forward or rearward to allow the muzzle of the pistol to overhang the cradle. The grip of the gun should be positioned near the middle of the platform. Snap the catch mechanism into the nearest semi-circle slot in the base. (NOTE: the higher the platform is lifted the easier it slides).
2. Remember to loosen the Ram Lock Screw before trying to adjust the height of the cradle.
3. Use Ram Adjustment Spanner for height adjustment. (NOTE: Ram adjustments may feel stiff at first, but will break-in with use). The weight of the gun will allow the Cradle to drop evenly as it is lowered. Without a gun in place, you may have to push the cradle down.
4. Tighten the Ram Lock Screw after you've adjusted the height.
5. You can shoot from this shooting rest just the way it is. The rubberized coating on the Cradle and Platform will protect the gun.
6. CAUTION: When shooting a semi-automatic pistol, make sure the gun's slide does not touch the Cradle.



Limited Warranty

Every Caldwell product is warranted to be free of defects in materials and workmanship for a period of one (1) year from the date of original purchase. Caldwell will, at its option, repair or replace without charge, except for transportation costs, parts that fail under normal use and service when operated and maintained in accordance with our Instructions. This warranty does not apply to normal wear or to items whose life is dependent upon their use and care. This warranty is in lieu of all other warranties, expressed or implied and releases Caldwell, its affiliates, and its vendors from all other obligations and liabilities.

5885 W Van Horn Tavern Rd. • Columbia, MO 65203
Visit our web site at www.caldwellshooting.com

Revised: 1-24-00

A **Battenfeld** Product