



Handy Rest

Portable Shooting Rest



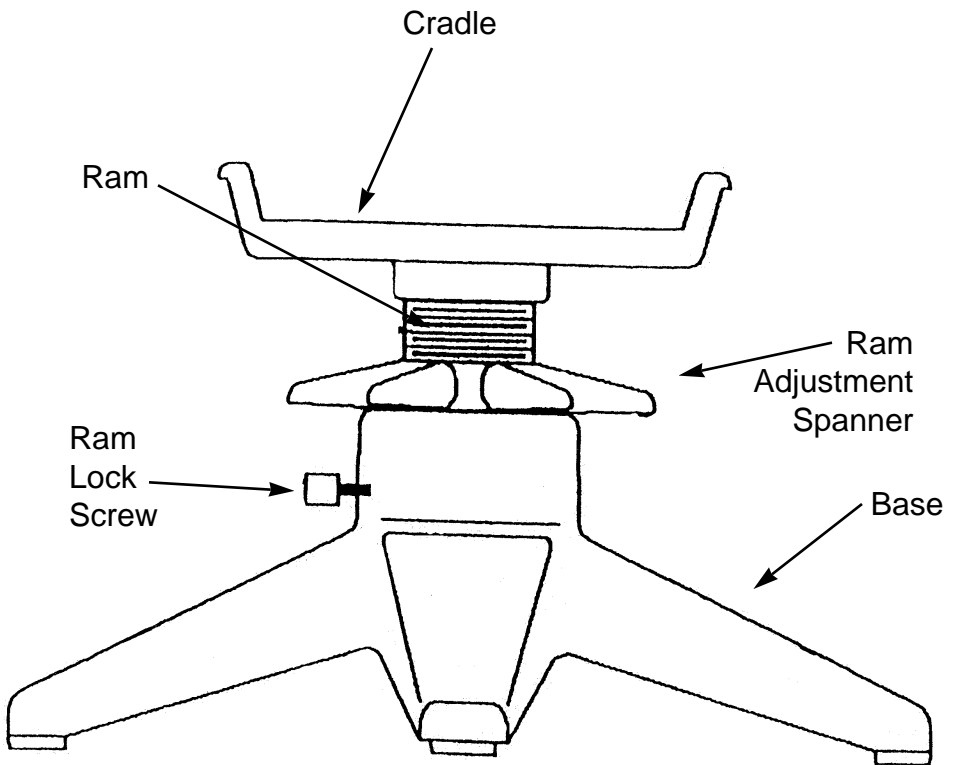
Instructions

Thank you for purchasing the Caldwell™ Handy Rest. This rest is versatile enough to accommodate almost any shooting style. It provides the shooter with a convenient, stable and accurate shooting platform. The rest is lightweight, yet stable, ideal for shooting from places where a heavier rest would be too cumbersome.

To assemble:

1. Check to make sure all parts are present (figure 1).
2. Insert Ram into center hole in Base and align the keyway on Ram to the screw hole in the left side of the Base.
3. Tighten the Ram Lock Screw until it enters the keyway in the ram and contacts the Ram.
4. Use Ram Adjustment Spanner for height adjustment. (NOTE: Ram adjustments may feel stiff at first, but will break-in with use.) The weight of the gun will allow the Cradle to drop evenly as it is lowered. Without a gun in place you may have to push the Cradle down.
5. The Handy Rest may be used without a bag. The rubberized Cradle will not mar the firearm. Alternatively, the Cradle will accommodate most shooting bags.

Figure 1



Limited Warranty

Every Caldwell product is warranted to be free of defects in materials and workmanship for a period of one (1) year from the date of original purchase. Caldwell will, at its option, repair or replace without charge, except for transportation costs, parts that fail under normal use and service when operated and maintained in accordance with our Instructions. This warranty does not apply to normal wear or to items whose life is dependent upon their use and care. This warranty is in lieu of all other warranties, expressed or implied and releases Caldwell, its affiliates, and its vendors from all other obligations and liabilities.

5885 W Van Horn Tavern Rd. • Columbia, MO 65203
Visit our web site at www.caldwellshooting.com

Revised: 1-25-00

A **Battenfeld** Product