

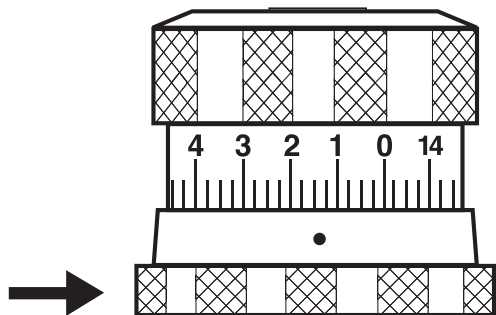
SWAT

Re-Zeroing Windage and Elevation Turret Scales

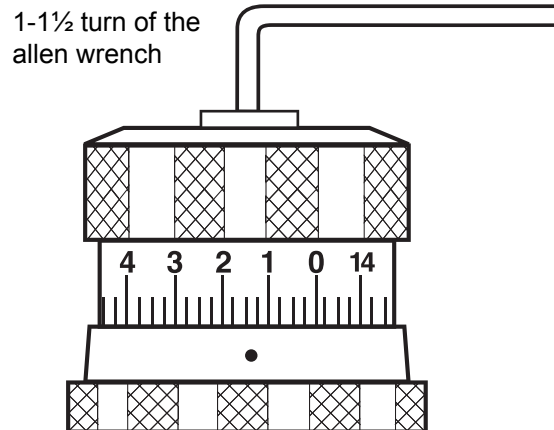
Re-zeroing scale back to zero is optional and should only be done after zeroing in your scope

WARNING: Turning the screw too tight or too loose can cause damage to the scope

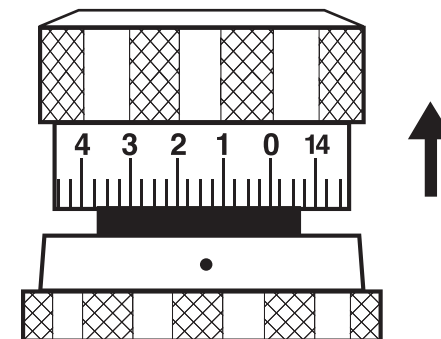
- ① Loosen the lockable bell at the base of the turret by turning it clockwise



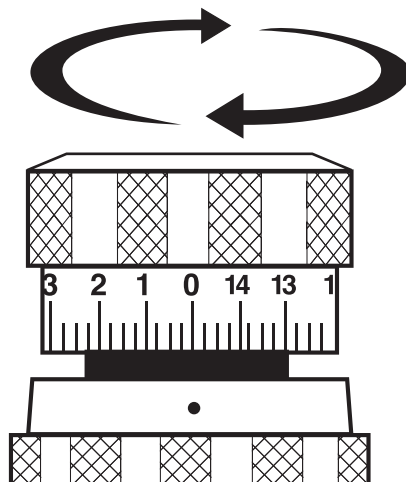
- ② Remove screw by turning counter clockwise
Note: Keep screw in a safe place



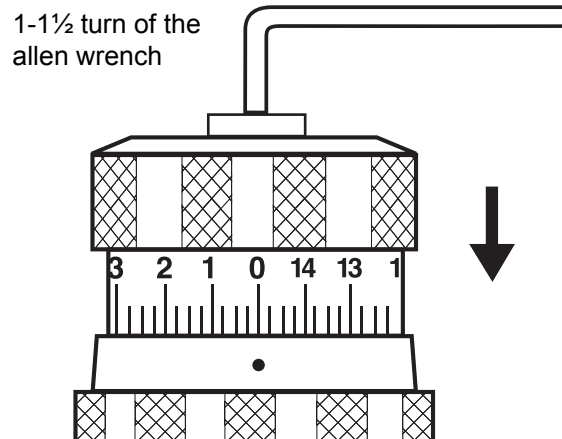
- ③ Pull the turret cap gently up to disconnect it from the drum inside



- ④ Turn the cap to reset the scale to zero



- ⑤ Place the screw back in place, hold the cap and turn screw clockwise to lock the cap



- ⑥ Your scale is now re-zeroed

