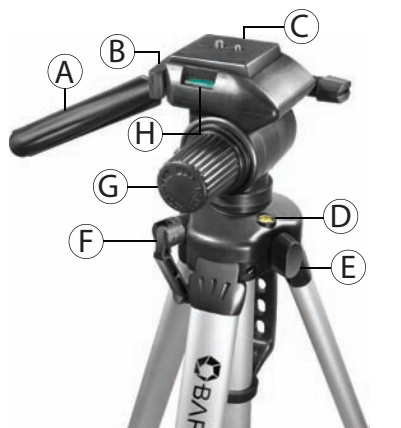


This easy to use lightweight tripod features a quick-release platform so you can easily switch from tripod to handheld. An easy to use tilt head allows the head to be leveled without adjusting the tripod legs. Lastly, the accessory hook to further stabilizes the tripod in windy conditions. This tripod is perfect for camcorders, cameras, spotting scopes, and binoculars in outdoor and indoor conditions.

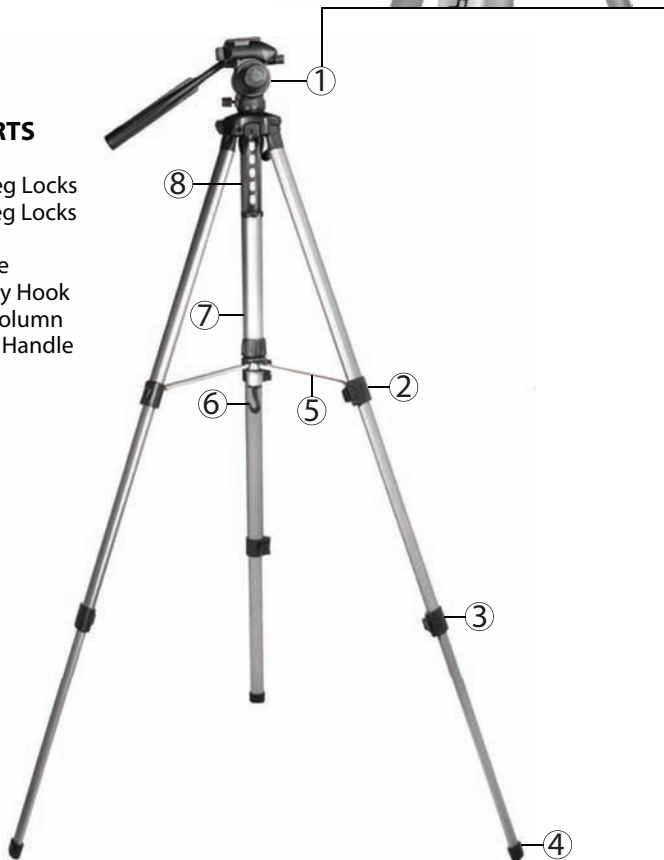
HEAD PARTS

- A - Tilt Control Handle
- B - Quick Release Lever
- C - Mounting Platform
- D - Tripod Leveling Bubble
- E - Center Column Height Knob
- F - Center Column Height Crank
- G - Head Knob
- H - Head Leveling Bubble



BODY PARTS

- 1 - Head
- 2 - Upper Leg Locks
- 3 - Lower Leg Locks
- 4 - Feet
- 5 - Leg Brace
- 6 - Accessory Hook
- 7 - Center Column
- 8 - Carrying Handle



HOW TO USE YOUR TRIPOD:

1. To adjust height and angle of legs release upper and lower leg locks (**2 and 3**), extend legs to desired height and lock upper and lower leg locks.
2. To adjust tripod head height, loosen center column height knob (**E**). Flip up center column crank (**F**), and slowly crank to raise or lower tripod head. Flip crank lever to lock in place (**E**).
3. Make sure locks/knobs are locked/tight (**2,3,and E**), and the tripod is on a stable surface.
4. To release mounting platform (**C**) gently pull out the quick release lever (**B**) to it's full reach. Hold mounting platform and gently pull towards you and up.
5. Attach mounting platform to the foot of the optics and tighten the mounting key under mounting platform. Pull on the quick release lever (**B**) to it's full reach. Carefully place entire assembly back into place on head by pushing down and away from you.
6. With mounted item securely in place, point the objective lens at the object, look through the eyepiece and slowly move tilt control handle (**A**) to desired position. Tighten the head knob (**G**) to secure your viewing angle.
7. The tripod leveling bubble is used to level the tripod (**D**). The head leveling bubble (**H**) levels the head allowing for optimum viewing and picture taking. The legs and head of the tripod are both level when the bubble is centered between the black lines.
8. The accessory hook (**6**) is used to further stabilize the tripod in very windy conditions. Hang a counter weight (not supplied) onto the hook to stabilize your tripod.

HOW TO TAKE CARE OF YOUR TRIPOD:

1. When not in use, reduce tripod legs to minimum height with upper and lower locks (**2 and 3**), reduce center column height (**F and E**) and secure in place.
2. Place tripod in carrying case (included) and store your tripod in a cool dry area.