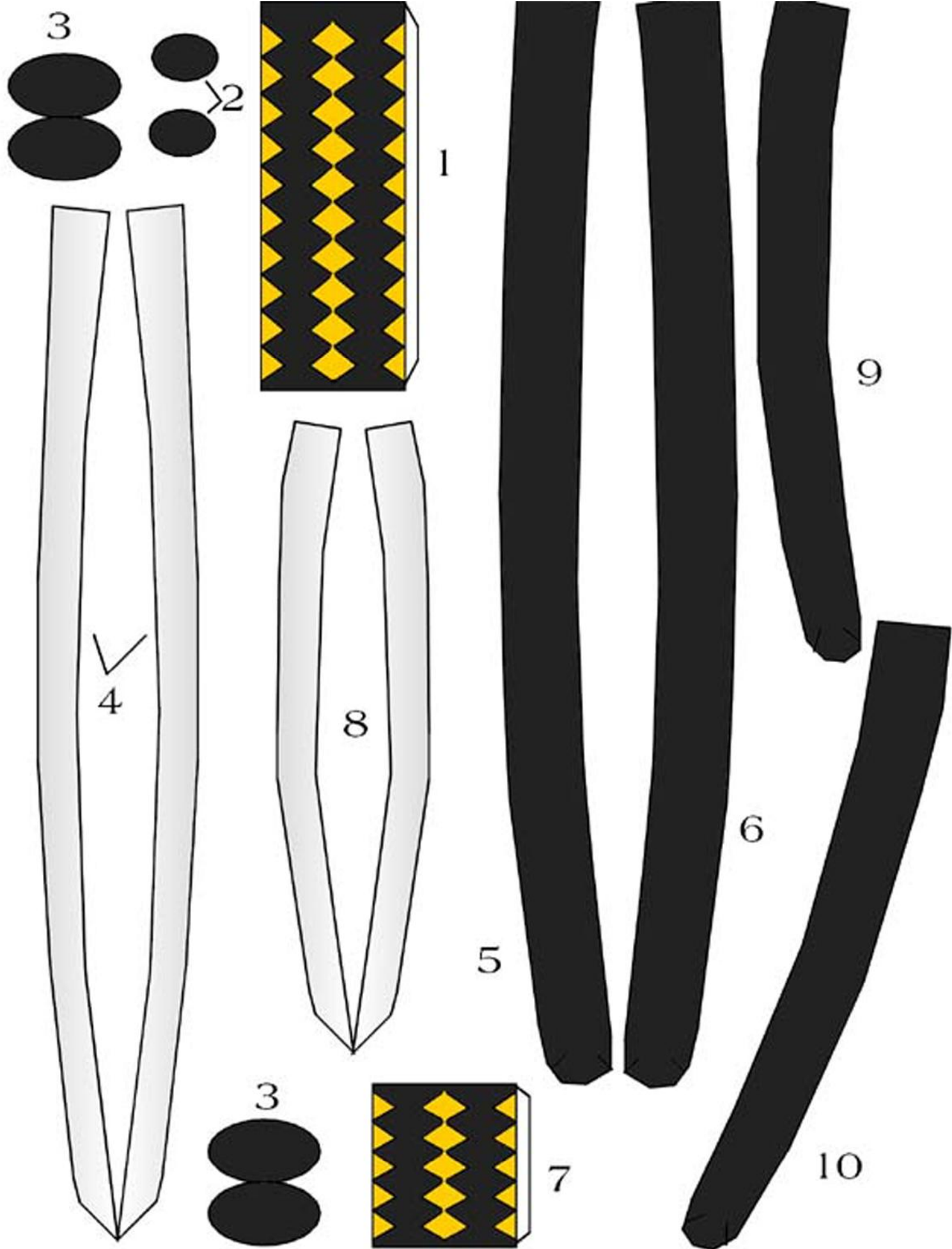
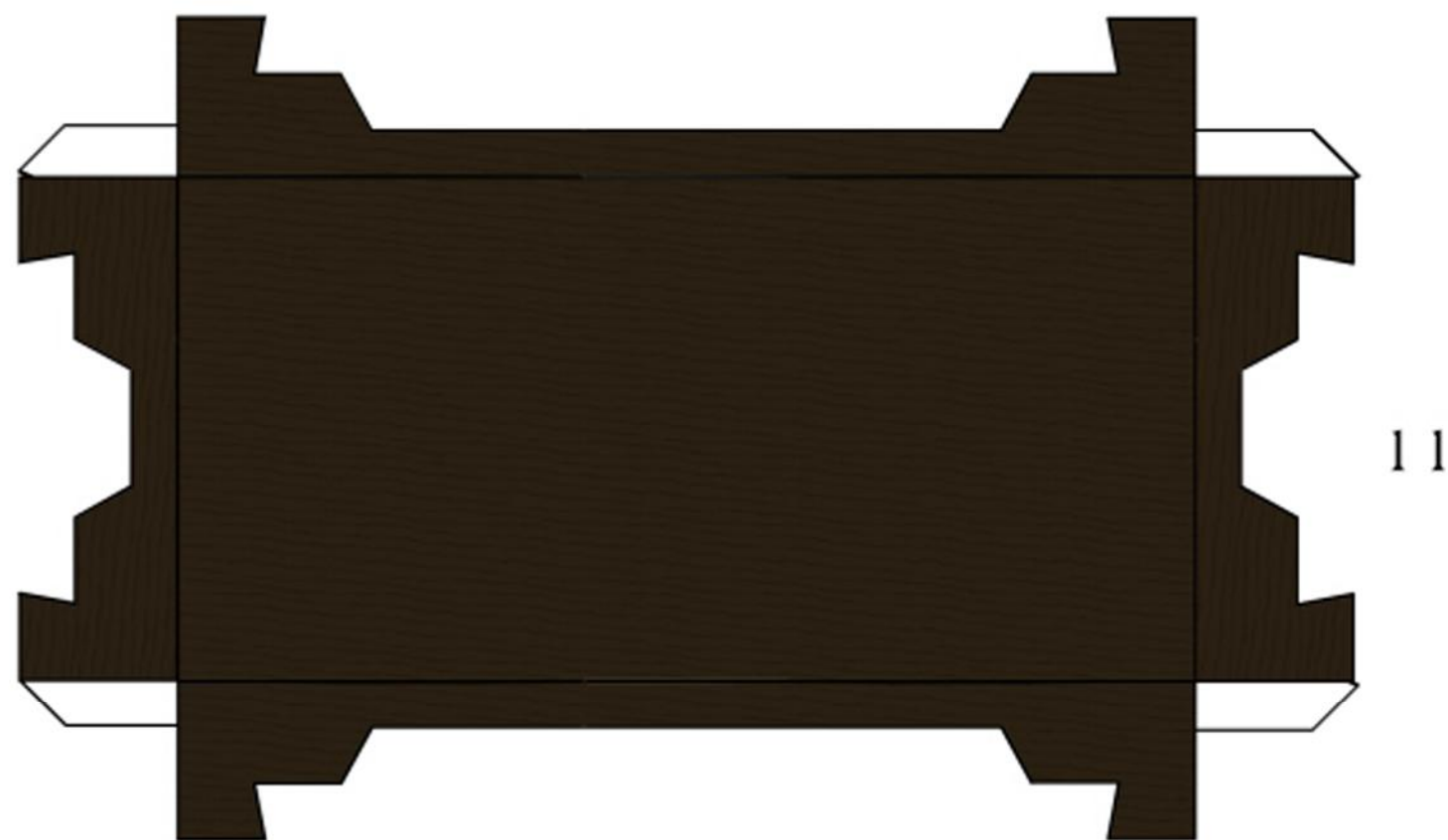
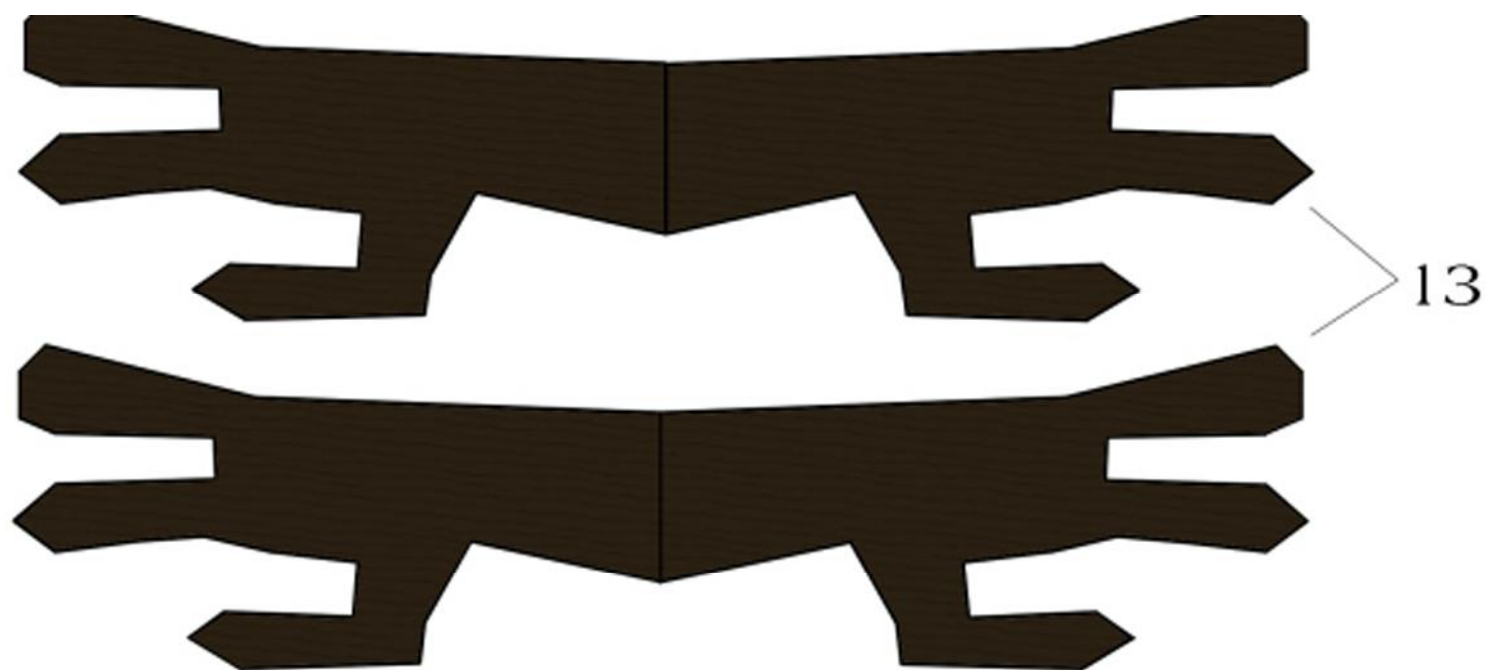
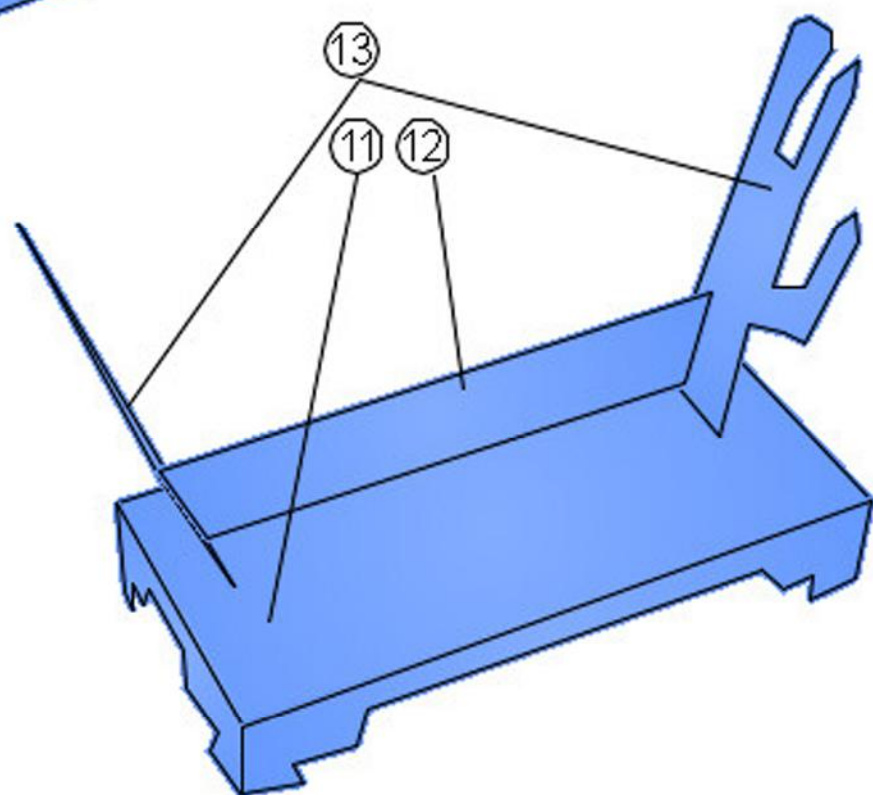
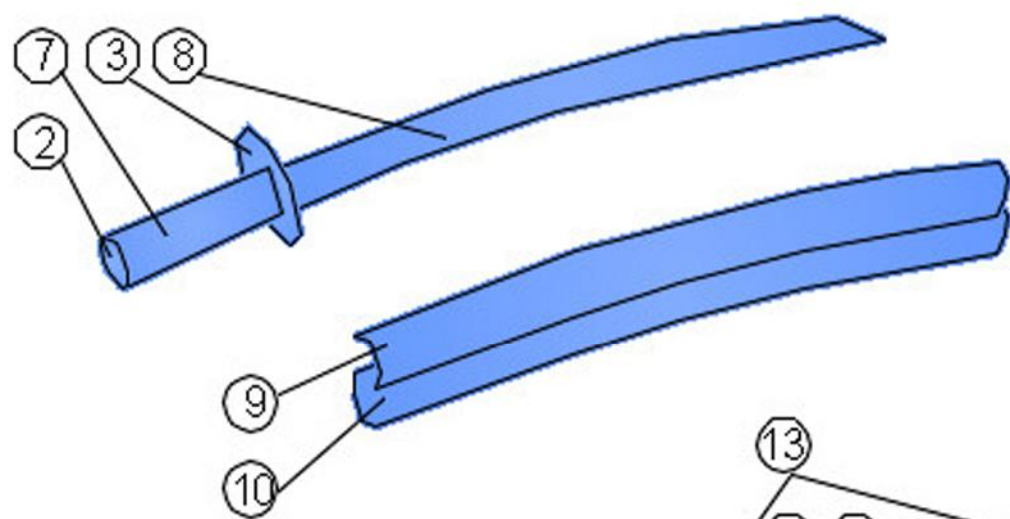
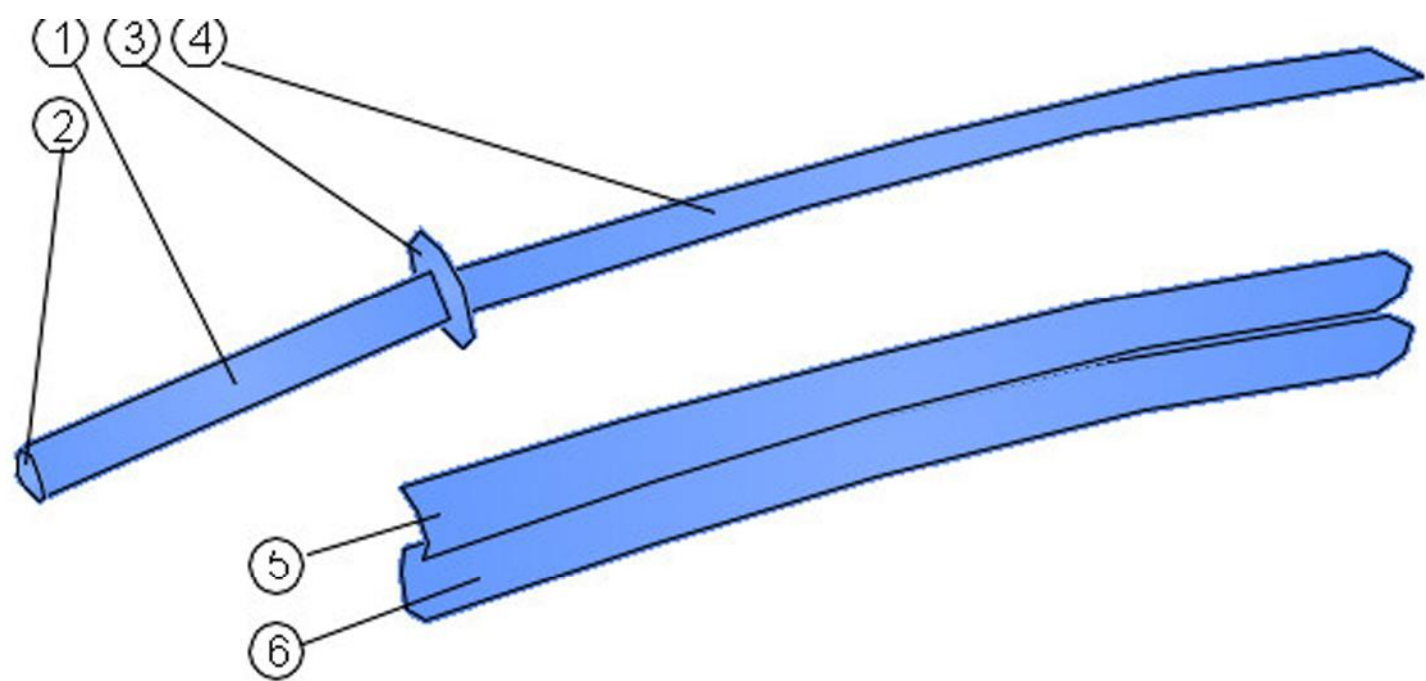


# Japanese Katana & Wakisashi

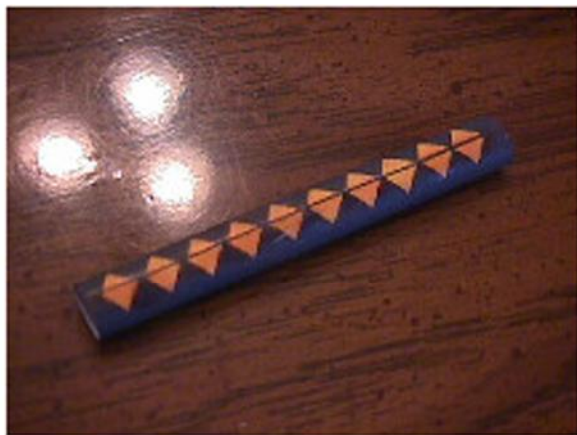




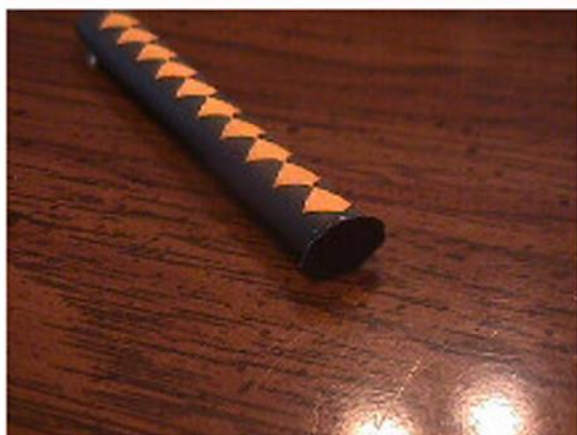




1. Cut out part 1 and roll into a tube.



2. Cut out one part 2 and glue it onto one end of the tube from step 1.



3. Fold one part 3 in half and glue it to the other end of part 1.



4. Cut out parts 4. Glue a thin wire to the back of one part 4 with about an inch sticking out past the base of the blade. Then glue the other part 4 on top.



5. Punch a hole in part 3 to line up with the wire in the blade.



6. Glue the blade onto the hilt, using the wire to align the blade.



7. Cut out parts 5 and 6. Fold up the edges of both scabbard parts as shown.



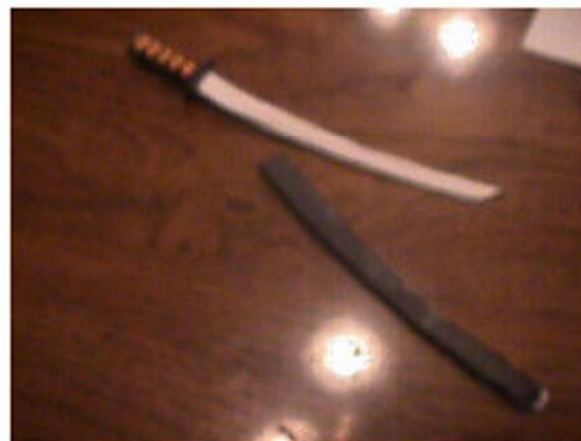
8. Lay the blade inside part 5 as shown. Make sure the blade has room to slide in and out of the scabbard. Repeat with part 6.



9. This is the messy part! Spread glue on the inside edge of one side of part 5 and the outside edge of the other side. Then glue them together and work the edges together as it dries. After it dries paint any white edges that show.



10. Repeat steps 1 through 9 for the Wakisashi, using parts 2, 3, 7, 8, 9, 10.



11. Cut out part 12 and fold it in half.



12. Cut out parts 13 and fold them in half.



13. Fold part 11 into a box. Glue part 12 on top as shown and glue both parts 13 onto it.



14. Slide both swords into the scabbards. Then place the swords on the stand as shown. Enjoy!

