

**TECHNICAL MANUAL**

**ARMY AMMUNITION DATA SHEETS**

**FOR**

**GRENADES**

**DISTRIBUTION STATEMENT A: Approved for public release; distribution is unlimited.**

---

**HEADQUARTERS, DEPARTMENT OF THE ARMY**

**JUNE 1994**

Change )  
 )  
No. 1 )

HEADQUARTERS  
DEPARTMENT OF THE ARMY  
Washington, DC, 30 June 1995

**ARMY AMMUNITION DATA SHEETS  
FOR  
GRENADES**

TM 43-0001-29, 30 June 1994, is changed as follows:

1. Remove old pages and insert new pages as indicated below. New or changed material is indicated by a vertical bar in the margin of the page.

Remove pages	Insert pages
A and B	A and B
i and ii	i and ii
2-29 and 2-30	2-29 and 2-30
None	4-13 and 4-14

2. File this change sheet in front of the publication for reference purposes.

By Order of the Secretary of the Army:

Official:

JOEL B. HUDSON  
*Acting Administrative Assistant to the  
Secretary of the Army*  
00463

DENNIS J. REIMER  
*General, United States Army  
Chief of Staff*

Distribution:

To be distributed in accordance with DA Form 12-34-E, Block 0931, requirements for TM 43-0001-29.

**LIST OF EFFECTIVE PAGES**

When applicable, insert latest change pages and dispose of superseded pages in accordance with applicable regulations.

**TOTAL NUMBER OF PAGES IN THIS PUBLICATION IS 104  
CONSISTING OF THE FOLLOWING:**

<i>Page No.</i>	<i>*Change No.</i>
Cover	0
A	1
B	0
i and ii	1
1-1 and 1-2	0
2-1 thru 2-28	0
2-29	1
2-30 thru 2-58	0
3-1 thru 3-12	0
4-1 thru 4-12	0
4-13 and 4-14	1
5-1 thru 5-12	0
Authentication Page	0

\* Zero indicates an original page.

**Change 1 A**

THIS PAGE INTENTIONALLY LEFT BLANK

Technical Manual )  
 )  
 No. 43-0001-29 )

HEADQUARTERS  
 DEPARTMENT OF THE ARMY  
 Washington, DC, 30 June 1994

**ARMY AMMUNITION DATA SHEETS  
 FOR  
 GRENADES**

**REPORTING ERRORS AND RECOMMENDING IMPROVEMENTS**

You can help improve this manual. If you find any mistakes or know of a way to improve the procedures, please let us know. You may mail, e-mail, or FAX your response. Mail your letter, DA Form 2028 (Recommended Changes to Publications and Blank Forms), or DA Form 2028-2 located in the back of this manual, direct to: Commander, U.S. Army TACOM, Armament Research, Development and Engineering Center, ATTN: AMSTA-AR-LSB, Picatinny Arsenal, NJ 07806-5000. E-mail address is LSB@PICA.ARMY.MIL. FAX number is Commercial (201) 724-4633, DSN 880-4633. A reply will be furnished to you.

	<u>Page</u>
CHAPTER 1. INTRODUCTION	
1-1 Purpose .....	1-1
1-2 Scope .....	1-1
1-3 Quantity-Distance Classes and Storage Compatibility Groups .....	1-1
1-4 Metric Conversion Chart .....	1-2
CHAPTER 2. HAND GRENADES	
Section I. Fragmentation	
Grenade, Hand: Fragmentation, Impact, M26A2 .....	2-3
Grenade, Hand: Fragmentation, Delay, M26A1 and M26 .....	2-5
Grenade, Hand: Fragmentation, Delay, M33 .....	2-7
Grenade, Hand: Fragmentation, Impact, M57 .....	2-9
Grenade, Hand: Fragmentation, Impact, M59 (M33A1) .....	2-11
Grenade, Hand: Fragmentation, Delay, M61 .....	2-13
Grenade, Hand: Fragmentation, Delay, M67 .....	2-15
Grenade, Hand: Fragmentation, Impact, M68 .....	2-17
Grenade, Hand: Fragmentation, MK2 .....	2-19
Section II. Smoke	
Grenade, Hand: Smoke, HC, AN-M8 .....	2-23
Grenade, Hand: Smoke, WP, M15 .....	2-25
Grenade, Hand: Smoke, M18 .....	2-27
Grenade, Hand: Smoke, Red, M48 .....	2-29
Grenade, Hand-Rifle: Smoke, WE: M34 .....	2-31
Section III. Incendiary	
Grenade, Hand: Incendiary, TH3, AN-M14 .....	2-35
Section IV. Offensive	
Grenade, Hand: Offensive, MK3A2- .....	2-39

\* This manual supersedes TM 43-0001-29, 31 October 1977, including all changes.

CHAPTER 2. HAND GRENADES - Continued

Section V. Riot Control

- Grenade, Hand: Riot, CN, M7 and M7A1 ..... 2-43
- Grenade, Hand: Riot, CS, M7A3 ..... 2-45
- Grenade, Hand: Riot, CS, M47 ..... 2-47
- Grenade, Hand: Riot, CN1, ABC-M25A1 ..... 2-49
- Grenade, Hand: Riot, CS1, ABC-M25A ..... 2-51
- Grenade, Hand: Riot, Pocket, CS, M58 ..... 2-53

Section VI. Illuminating

- Grenade, Hand: Illuminating, MK1 - 2-57

CHAPTER 3. RIFLE GRENADES

Section I. Heat

- Grenade, Rifle: HEAT, M31 ..... 3-3

Section II. Smoke

- Grenade, Rifle: Smoke, WP, M19A1 ..... 3-7
- Grenade, Rifle: Smoke, Green, Red, Violet, or Yellow, M22 and M22A2..... 3-9
- Grenade, Rifle: Smoke, Green, Red, Violet, or Yellow, Streamer, M23 and M23A1 ..... 3-11

CHAPTER 4. PRACTICE, INERT, TRAINING GRENADES

- Grenade, Hand: Training, MK1A1 ..... 4-3
- Practice, AT Rifle Grenade, M29 ..... 4-5
- Grenade, Hand: Practice, Delay, M30 ..... 4-7
- Grenade, Hand: Practice, Delay, M62 ..... 4-9
- Grenade, Hand: Practice, Delay, M69 ..... 4-11
- Grenade, Hand: Smoke, TA, Practice, M83..... 4-13

CHAPTER 5. SPECIAL TYPE GRENADES

- Adapters, Grenade, Projection, M1 Series -..... 5-3
- Grenade, Launcher, Smoke: Screening, RP, (UK) L8A1 ..... 5-5
- Grenade, Launcher, Smoke: Screening, RP, (UK) L8A3 ..... 5-7
- Grenade, Launcher, Smoke: IR Screening, M76..... 5-9
- Grenade, Launcher, Smoke: Simulant Screening, M82 ..... 5-11

**CHAPTER 1  
INTRODUCTION**

**1-1. PURPOSE**

This manual is a reference handbook published as an aid in training, familiarization and identification of grenades and grenade fuzes.

**1-2. SCOPE**

a. For each item of materiel, there are illustrations and descriptions together with characteristics and related data. Included in the related data are weight, dimensions, performance data, packing, shipping and storage data, **Type Classification**, and logistics condition codes (LCC).

b. Information concerning supply, operation, and maintenance of the items will be found in the publications referenced for those items. A complete listing of these publications is maintained in DA Pam 310 series indexes.

c. Within this manual, items with the following type classifications are included:

- (1) Standard (LCC-A, LCC-B)
- (2) Contingency (CON)
- (3) Limited Procurement (LP)

(4) Reclassified obsolete (OBS) for regular Army use, but used by National Guard or Reserve Units.

(5) Reclassified OBS for all Army use, but used by Marine Corps, Air Force, or Navy.

(6) Reclassified OBS, no users, but U.S. stocks remain.

d. Items with the following type classification are not included: Reclassified OBS for all U.S. use. No U.S. stocks remain. (Foreign use or stock may remain.)

e. Numerical values, such as weights, dimensions, candlepower, etc., are nominal values, except when specified as maximum or minimum. Actual items may vary slightly from these values. Allowable limits can be obtained from the drawings indicated in the data sheets.

**1-3. QUANTITY-DISTANCE CLASSES AND STORAGE COMPATIBILITY GROUPS**

Quantity-Distance (QD) classes and Storage Compatibility Groups (SCG) listed in this manual are changed. For conversion to new system see table 1-1.

**Table 1-1. Quantity-Distance Classes and Storage Compatibility Groups**

Quantity-distance class <sup>1/</sup>	hazard	Storage group <sup>1/3/</sup>	compatibility
Old	New <sup>2/</sup>	Typical - New	
8	6.1		
7	1.1		D
6	1.2(18)		E
5	1.2(12)		
4	1.2(08)		F
3	1.2(04)		G
2	1.3		C
1	1.4		S

Notes:

<sup>1/</sup> New QD and SCG's are compatible with classes used by NATO nations.

<sup>2/</sup> Numbers in parentheses are minimum distances x 100 feet to protect against specific fragment hazards and vary with items and types of ammunition. (Refer to TM 9-1300-206.)

<sup>3/</sup> There is no simple conversion from old SCG's to new system. The SCG groups listed in this column are typical for the majority of items in the corresponding listed QD class but do not apply to every individual item in the class. For SCG of individual items refer to TM 9-1300-206.

**1-4. METRIC CONVERSION CHART**

For approximate conversions to/from metric measures, see table 1-2.

**Table 1-2. Metric Conversion Chart**

**Approximate Conversions to Metric Measures**

Symbol	When You Know	Multiply By	To Find	Symbol
--------	---------------	-------------	---------	--------

**LENGTH**

in.	inches	2.5	centimeters	cm
ft	feet	30	centimeters	cm
yd	yards	0.9	meters	m
mi	miles	1.6	kilometers	km

**AREA**

in <sup>2</sup>	square inches	6.5	square centimeters	cm <sup>2</sup>
ft <sup>2</sup>	square feet	0.09	square meters	m <sup>2</sup>
yd <sup>2</sup>	square yards	0.8	square meters	m <sup>2</sup>
mi <sup>2</sup>	square miles	2.6	square kilometers	km <sup>2</sup>
	acres	0.4	hectares	ha

**WEIGHT**

oz	ounces	28	grams	g
lb	pounds	0.45	kilograms	kg
	short tons (2000 lbs)	0.9	tonnes	t

**VOLUME**

tspl	teaspoons	5	milliliters	ml
Tbsp	tablespoons	15	milliliters	ml
oz	fluid ounces	30	milliliters	ml
c	cups	0.24	liters	l
pt	pints	0.47	liters	l
qt	quarts	0.95	liters	l
gal	gallons	3.8	liters	l
ft <sup>3</sup>	cubic feet	0.03	cubic meters	m <sup>3</sup>
yd <sup>3</sup>	cubic yards	0.76	cubic meters	m <sup>3</sup>

**TEMPERATURE**

Symbol	When You Know	Subtract	Multiply by	To Find	Symbol
°F	Fahrenheit	32	0.55	Celsius	°C

**Approximate Conversions from Metric Measures**

Symbol	When You Know	Multiply By	To Find	Symbol
--------	---------------	-------------	---------	--------

**LENGTH**

mm	millimeters	0.04	inches	in.
cm	centimeters	0.4	inches	in.
m	meters	3.3	feet	ft
m	meters	1.1	yards	yd
km	kilometers	0.6	miles	mi

**AREA**

cm <sup>2</sup>	square centimeters	0.16	square inches	in <sup>2</sup>
m <sup>2</sup>	square meters	1.2	square yards	yd <sup>2</sup>
km <sup>2</sup>	square kilometers	0.4	square miles	mi <sup>2</sup>
ha	hectares (10,000 m <sup>2</sup> )	2.5	acres	

**WEIGHT**

g	grams	0.035	ounces	oz
kg	kilograms	2.2	pounds	lb
t	tonnes (1000kg)	1.1	short tons	

**VOLUME**

ml	milliliters	0.03	fluid ounces	fl oz
l	liters	2.1	pints	pt
l	liters	1.06	quarts	qt
l	liters	0.26	gallons	gal
m <sup>3</sup>	cubic meters	35	cubic feet	ft <sup>3</sup>
m <sup>3</sup>	cubic meters	1.3	cubic yards	yd <sup>3</sup>

**TEMPERATURE**

Symbol	When You Know	Subtract	Multiply by	To Find	Symbol
°C	Celsius	1.8	32	Fahrenheit	°F



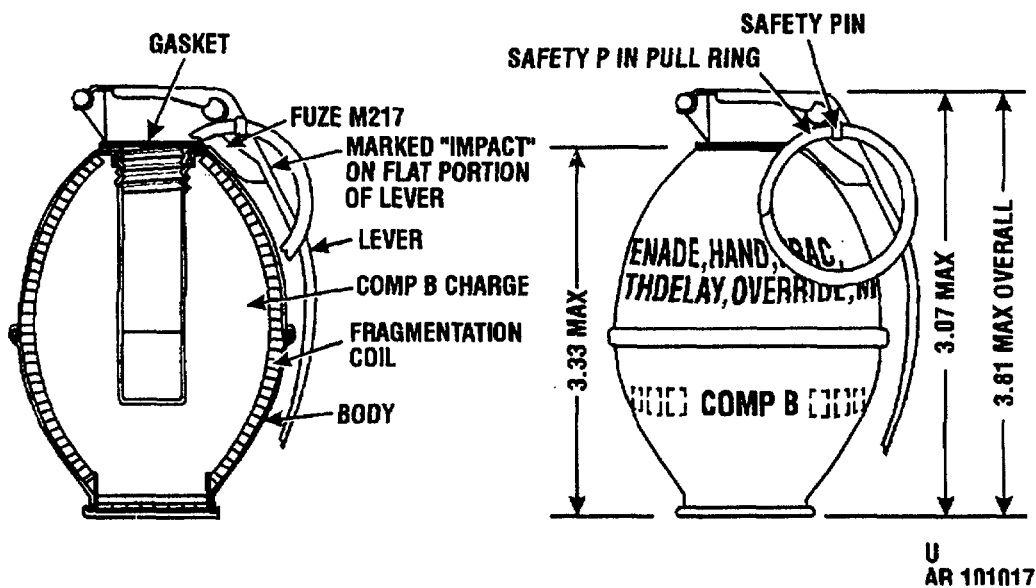
**CHAPTER 2**  
**HAND GRENADES**

---

**Section I. FRAGMENTATION**

**THIS PAGE INTENTIONALLY LEFT BLANK**

**GRENADe, HAND: FRAGMENTATION, IMPACT, M26A2**



U  
AR 101017

**Type Classification:**

Obs. MSR 10826016

**Use:**

The M26A2 impact fragmentation hand grenade is used to supplement small arms fire against the enemy in close combat. The grenade produces casualties by high velocity projection of fragments.

**Description:**

Hand grenade M26A2 is assembled with an electrical impact fuze M217 which incorporates a secondary pyrotechnic delay feature which detonates the grenade if it fails to detonate upon impact. The body of the grenade is constructed of two pieces of thin-wall sheet steel, has a notched fragmentation coil liner. Bodies contain a high explosive filler.

Fuze M217 is equipped with a safety pin, the split end of which is either spread or has a diamond crimp, and a pull ring. IMPACT is embossed on the safety lever. (Older models had red safety levers with or without IMPACT painted thereon in black). The major components are as follows: a bouchon assembly, a fuze body assembly (which contains a thermal power supply, an arming delay thermal switch, a delay-detonation terminal switch assembly, an impact switch assembly and an electric detonator), and a booster pellet. The bouchon assembly consists of a striker,

striker spring, a striker hinge pin, safety lever and safety pin with pull ring. The fuze body is hermetically sealed.

**Tabulated Data:**

Grenade (with fuze):

Model(s).....	M26A2
Body .....	Thin-wall sheet steel w/notched fragmentation coil
Weight .....	16 oz
Length (max) .....	3.9 in.
Diameter.....	2.25 in.
Color.....	Olive drab w/yellow markings

Filler:

Type .....	Comp B w/tetryl pellets
------------	-------------------------

Weight:

Comp B .....	5.5 oz
Tetryl pellets .....	0.3 oz

Fuze:

Model(s).....	M217
Type .....	Electrical impact w/overriding delay function feature
Primer.....	M42
Detonator.....	Lead azide, lead styphnate, PETN
Delay time .....	3 to 7 seconds
Weight .....	2.7 oz
Length .....	3.0 in.

Color, safety lever.....Red handle w/IMPACT embossed, in lever; red lever w/or w/o IMPACT stenciled in black on lever.  
 Safety device(s) .....Pull ring and safety pin

**Federal Supply Code**

NSN..... 1330-00-782-5540  
 DODAC..... 1330-G889  
 See DOD Consolidated Ammunition Catalog for additional information.

**Unit of Issue:**

Each packed ..... 1 per fiber container; 30 per wooden box.

**Packing Data:**

Packing box:  
 Weight (with contents) .....51 lb  
 Dimensions..... 19-3/4 in. x 11-9/16 in. x 12-13/32 in.  
 Cube..... 1.60 cu ft

**Shipping and Storage Data:**

Hazard class/division and storage compatibility group (04) 1.1F  
 UNO serial number .....0292  
 UNO proper shipping name Grenades  
 DOT class.....Class A explosive  
 DOT marking .....HAND GRENADES

**Functioning:**

Removal of safety pin permits release of the safety lever. When the grenade is thrown, the striker assembly, through action of the striker spring, throws off the safety lever and impacts the percussion primer. The primer initiates the power supply, which causes the fuze

to arm within one to two seconds; thereafter, the grenade is subject to detonation upon impact.

**NOTE**

**At high temperature (+125°F), arming time may be as short as 1 second; at low temperature (-40°F), as long as 2 seconds. The secondary pyrotechnic delay feature functions within 3 to 7 seconds throughout the temperature range of -40°F to + 125°F**

If the grenade does not detonate on impact (after proper arming time), the grenade will be detonated by the secondary pyrotechnic delay feature. If the fuze fails to function after release of the safety lever, the fuze power supply will become inactive within 30 seconds.

**References:**

TM 9-1330-200  
 TM 9-1330-200-12  
 TM 9-1330-200-34  
 FM 23-30  
 DOD Consolidated Ammo Catalog

**Remarks:**

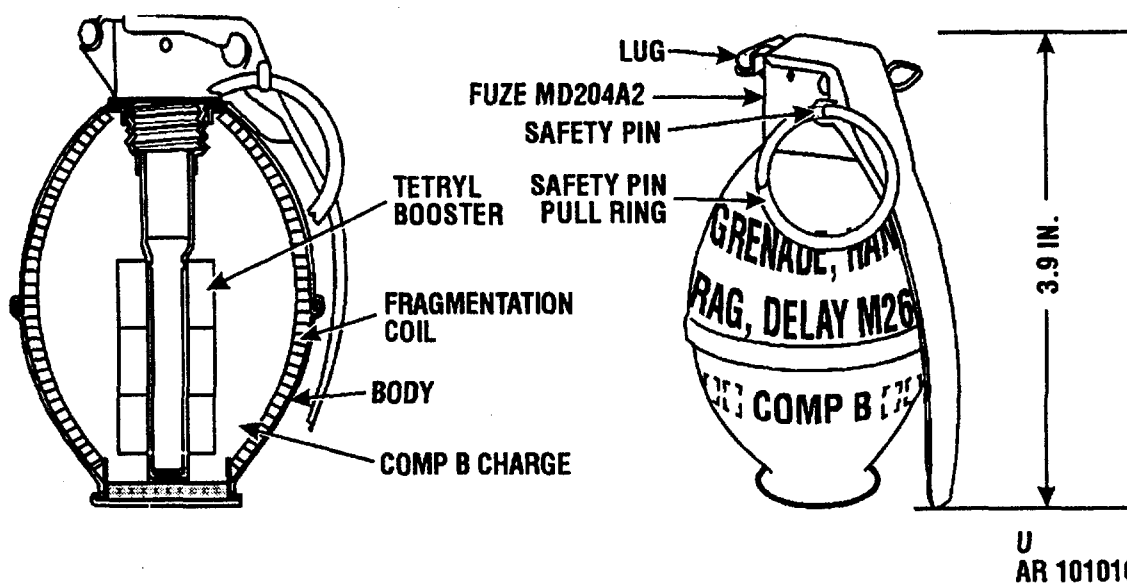
The M26A2 is the same as the M57 but without a safety clip The bodies of the M26, M26A1, and M61 contain booster pellets and are longer and narrower than those of the M26A2 and M57.

The bodies of the M26A2 and M57 do not contain booster pellets.

The M56 was the M26A2 with fuze M215.

The body of the M26A2 (M57 without a safety clip) is identical with the M61, M26A1, and M26, except the fuze thread is different.

**GRENADE, HAND: FRAGMENTATION, DELAY, M26A1 AND M26**



**Type Classification:**

Obs. MSR 11756003 (M26)  
 Std. LCC-A, AMCTC 5666 (M26A1)

**Use:**

The M26A1 and M26 fragmentation hand grenade is used to supplement small arms fire against the enemy in close combat. The grenade produces casualties by high velocity projection of fragments.

**Description:**

The M26A1 is the M26 with preformed tetryl pellets around the fuze well line. Each grenade is assembled with a fuze that initiates the explosive charge. These grenades detonate 4 to 5 seconds after release of the safety lever.

Bodies of the M26A1 and M26 are identical. The body is constructed of two pieces of thin-wall sheet steel and has a notched fragmentation coil liner.

The fuzes M204A1 and M204A2 are pyrotechnic delay-detonating fuzes. They differ only in body construction. The body contains a primer and a pyrotechnic delay column. Assembled to the body are a striker, striker spring, safety lever, safety pin with pull ring, and a detonator assembly. The split end of the safety pin has an angular spread or diamond crimp.

**Difference Between Models:**

Same as M61 but without safety clip.

**Tabulated Data:**

Grenade (with fuze):	
Model(s).....	M26A1, M26
Body .....	Thin-wall sheet steel w/inner fragmentation coil
Weight .....	16 oz
Length (max) .....	3.9 in.
Diameter .....	2.25 in.
Color.....	Olive drab w/yellow markings
Explosive filler:	
Comp B (main charge).....	M26, M26A1
Weight:	
M26:	
Comp B .....	5.8 oz
M26A1:	
Comp B .....	5.5 oz
Tetryl pellets (burster) .....	0.3 oz
Fuze:	
Model(s).....	M204A1, M204A2
Type .....	Pyrotechnic delay-detonating
Primer (percussion).....	M42
Detonator .....	Lead azide, lead styphnate, and RDX

Delay time ..... 4 to 5 seconds  
 Weight ..... 2.6 oz  
 Length ..... 4 in.  
 Color, safety lever.....Olive drab w/black markings  
 Safety device(s)..... Pull ring and safety pin

DOT class ..... Class A explosive  
 DOT marking ..... HAND GRENADES

**Functioning:**

Removal of the safety pin permits release of the safety lever. When the safety lever is released, it is forced away from the grenade body by a striker acting under the force of a striker spring. The striker rotates on its axis and strikes the percussion primer. The primer emits a small, intense spit of flame, igniting the delay element. The delay element burns for 4 to 5 seconds, then sets off the detonator. The detonator explodes, thus initiating the explosive charge. The explosive charge explodes, rupturing the body and projecting fragments.

**References:**

TM 9-1330-200  
 TM 9-1330-200-12  
 TM 9-1300-200-34  
 FM 23-30  
 DOD Consolidated Ammo Catalog

**Drawings:**

Complete assembly  
 M26A1 ..... 9212181  
 Complete assembly  
 M26 ..... 82-0-190  
 Fuze (M204A1) ..... 82-1-87  
 Fuze (M204A2) ..... 7548570  
 Packing M26 and M26A1  
 (inner) ..... 7548339  
 Packing M26 and M26A1  
 (outer) ..... 7548340

**Federal Supply Code**

NSN ..... (M26A1) 1330-00-926-1857  
 (M26) 1330-00-028-5839  
 DODAC ..... 1330-G890

See DOD Consolidated Ammunition Catalog for additional information.

**Unit of Issue:**

Each packed ..... 1 per fiber container; 30 per wooden box.

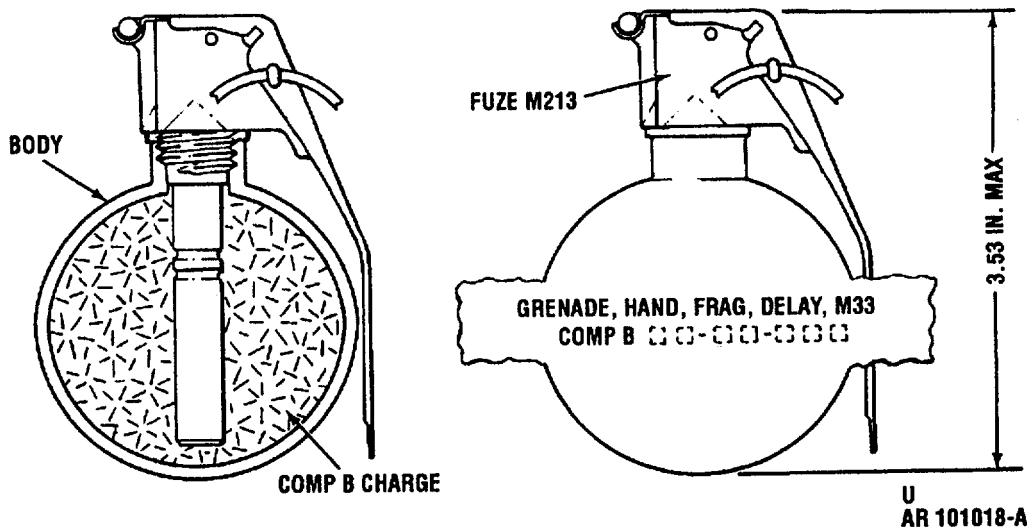
**Packing Data:**

Packing box:  
 Weight (with contents) ..... 52.0 lb  
 Dimensions ..... 18-15/16 in. x 11-1/4 in. x 11-1/16 in.  
 Cube ..... 1.37 cu ft

**Shipping and Storage Data:**

Hazard class/division and storage compatibility group ..... (04) 1.1F  
 UNO serial number ..... 0292  
 UNO proper shipping name ..... Grenades

**GRENADE, HAND: FRAGMENTATION, DELAY, M33**



**Type Classification:**

Obs. MSR 11756003

**Use:**

The M33 fragmentation hand grenade is used to supplement small arms fire against the enemy in close combat. The grenade produces casualties by high velocity projection of fragments in a uniform distribution pattern.

**Description:**

The grenade body is a 2.5-inch diameter steel sphere which is designed to burst into numerous fragments when detonated. The grenade body contains 6.5 ounces of high-explosive, Composition B. Each grenade is fitted with a fuze that initiates the explosive charge.

The M33 grenade used the M213 fuze which is a pyrotechnic delay-detonating fuze. It will function the grenade 4 to 5 seconds after release of the safety lever. The body of the fuze contains a primer and a pyrotechnic delay column. Assembled to the body are a striker, striker spring, safety lever, safety pin, pull ring, and a detonator assembly.

The M213 fuze is equipped with a steel safety pin and pull ring. The split end of the safety pin is either spread approximately 40 degrees or diamond-shaped to prevent accidental removal and arming during shipping

and handling. The pull ring is provided to facilitate easy removal of the safety pin.

The M33 grenade is the same as the M67 grenade except that it does not have a safety clip.

**Tabulated Data:**

Grenade (with fuze):

Model.....	M33
Body.....	Steel
Weight.....	14 oz
Length.....	(max) 3.53 in.
Diameter.....	2.5 in.
Color.....	Olive drab w/yellow markings

Explosive filler:

Type.....	Comp B
Weight.....	6.5 oz

Fuze:

Model.....	M213
Type.....	Pyrotechnic delay-detonating
Primer (percussion).....	M42
Detonator.....	Lead azide, lead styphnate, and RDX
Delay time.....	4-5 seconds
Weight.....	2.5 oz
Length.....	3.33 in.
Color, safety lever.....	Olive drab w/black markings
Safety device.....	Pull ring and safety pin

**Federal Supply Code**

NSN.....1330-00-629-0964  
 DODAC.....1330-G888  
 See DOD Consolidated Ammunition Catalog for  
 additional information.

**Unit of Issue:**

Each packed ..... 1 per fiber container; 30  
 per wooden box.

**Packing Data:**

Packing box:  
 Weight (with contents) ..... 52.0 lb  
 Dimensions.....18-5/16 in. x 11-1/4 in.  
 x 11-1/16 in.  
 Cube.....1.37 cu ft  
 Explosive weight.....12.2 lb

**Shipping and Storage Data:**

Hazard class/division and storage compatibility  
 group ..... (04) 1.1F  
 UNO serial number ..... 0292  
 UNO proper shipping name..... Grenades  
 DOT class..... Class A explosive  
 DOT marking ..... HAND GRENADES

**Functioning:**

Removal of the safety pin permits release of the safety lever. When the grenade is thrown, the striker assembly, through action of the spring, throws off the safety lever and impacts the percussion primer which functions the primer charge. The primer charge ignites the delay composition which will burn approximately 4-5 seconds. Upon completion of burning, the delay composition sets off the detonator which ignites the main explosive charge and detonates the grenade.

**References:**

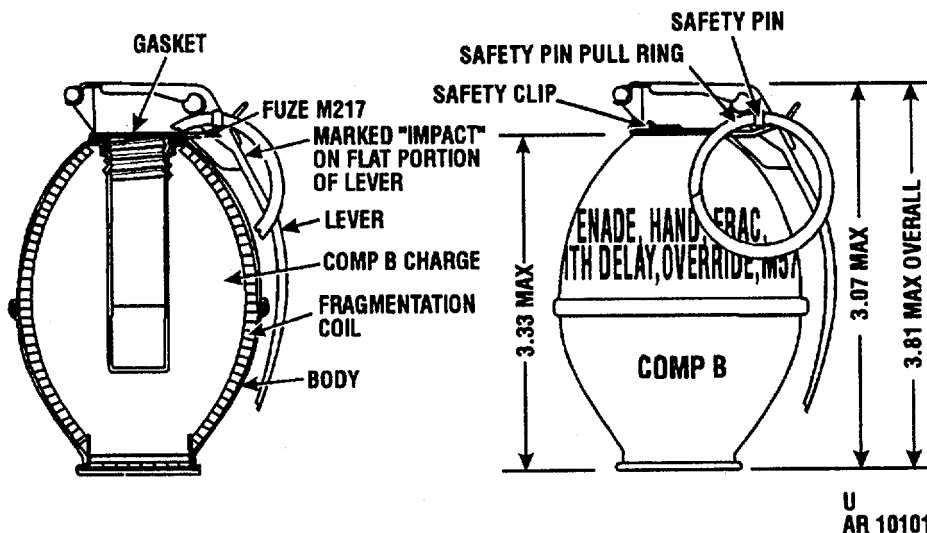
TM 9-1330-200  
 TM 9-1330-200-12  
 TM 9-1330-200-34  
 FM 23-30  
 DOD Consolidated Ammo Catalog

**Drawings:**

Top drawing ..... 8810741  
 Marking drawing..... 8810742  
 Packing box ..... 9288720  
 Fiber container ..... 8800493



**GRENADE, HAND: FRAGMENTATION, IMPACT, M57**



**Type Classification:**

Obs. MSR 10826016

**Use:**

The M57 impact fragmentation hand grenade is used to supplement small arms fire against the enemy in close combat. The grenade produces casualties by high velocity projection of fragments.

**Description:**

Hand grenade M57 is assembled with an electrical impact fuze M217 which incorporates a secondary pyrotechnic delay feature which detonates the grenade if it fails to detonate upon impact. The grenade incorporates a safety clip. The body of the grenade is constructed of two pieces of thin-wall sheet steel, and has a notched fragmentation coil liner. The body contains a high explosive filler.

Fuze M217 is equipped with a safety pin, the split end of which is either spread or has a diamond crimp, and a pull ring. IMPACT is embossed on the safety lever. (Older models had red safety levers with or without IMPACT printed thereon in black). The major components are as follows: a bouchon assembly, a fuze body assembly (which contains a thermal power supply, and arming delay thermal switch, a delay detonation terminal switch assembly, an impact switch assembly and an electric detonator), and a booster pellet. The bouchon assembly consists of a striker, striker spring, a

striker hinge pin, safety lever and safety pin with pull ring. The fuze body assembly is hermetically sealed.

**Tabulated Data:**

Grenade (with fuze):

Model(s).....	M57	
Body .....	Thin-wall	sheet
	w/notched	
	fragmentation coil	
Weight .....	16 oz	
Length (max) .....	3.9 in.	
Diameter .....	2.25 in.	
Color.....	Olive drab	w/yellow markings

Filler:

Type .....	Comp B w/tetryl pellets
------------	-------------------------

Weight:

Comp B .....	5.5 oz
Tetryl pellets .....	0.3 oz

Fuze:

Model(s).....	M217	
Type .....	Electrical impact	w/overriding delay function feature
Primer.....	M42	
Detonator .....	Lead azide,	lead styphnate, PETN
Delay time .....	3 to 7 seconds	
Weight.....	2.7 oz	
Length .....	3.0 in.	

Lever, safety (color).....Red handle w/IMPACT embossed in lever; red lever w/ or w/o IMPACT stenciled in black on lever  
 Safety device(s).....Pull ring and safety pin, and safety clip

**NOTE**

**At high temperature (+125°F), arming time may be as short as 1 second; at low temperature (-40°F), as long as 2 seconds. The secondary pyrotechnic delay feature functions within 3 to 7 seconds throughout the temperature range of -40°F to +125°F.**

**Packing Data:**

\*Packing..... 1 per fiber container; 30 containers per wooden box.

\*Packing box:

Weight (with contents) .....51 lb  
 Dimensions.....19-3/4 in. x 11-9/16 in. x 12-13/32 in.  
 Cube.....1.60 cu ft

**NOTE**

**See DOD Consolidated Ammunition Catalog for additional information including NSNs.**

**Shipping and Storage Data:**

Hazard class/division and storage compatibility group .....(04) 1.1F  
 UNO serial number .....0292  
 UNO proper shipping name .....Grenades  
 DOT class.....Class A explosive  
 DOT marking .....HAND GRENADES

**Functioning:**

Release of safety clip and removal of safety pin permit release of safety lever. When grenade is thrown, the striker assembly, through action of striker spring, throws off safety lever and impacts percussion primer. The primer initiates the power supply, which causes fuze to arm within one to two seconds; thereafter, grenade is subject to detonation upon impact.

If the grenade does not detonate on impact (after proper arming time), the grenade will be detonated by the secondary pyrotechnic delay feature. If the fuze fails to function after release of the safety lever, the fuze power supply will become inactive within 30 seconds.

**Drawings:**

Assembly .....9210138  
 Fuze (M217)..... 10998765  
 Packing (inner).....7548339  
 Packing (outer).....7548340

**Remarks:**

The M57 is the M26A2 with a safety clip. The safety clip hand grenades M57, M61, M67, and M68 are not interchangeable.

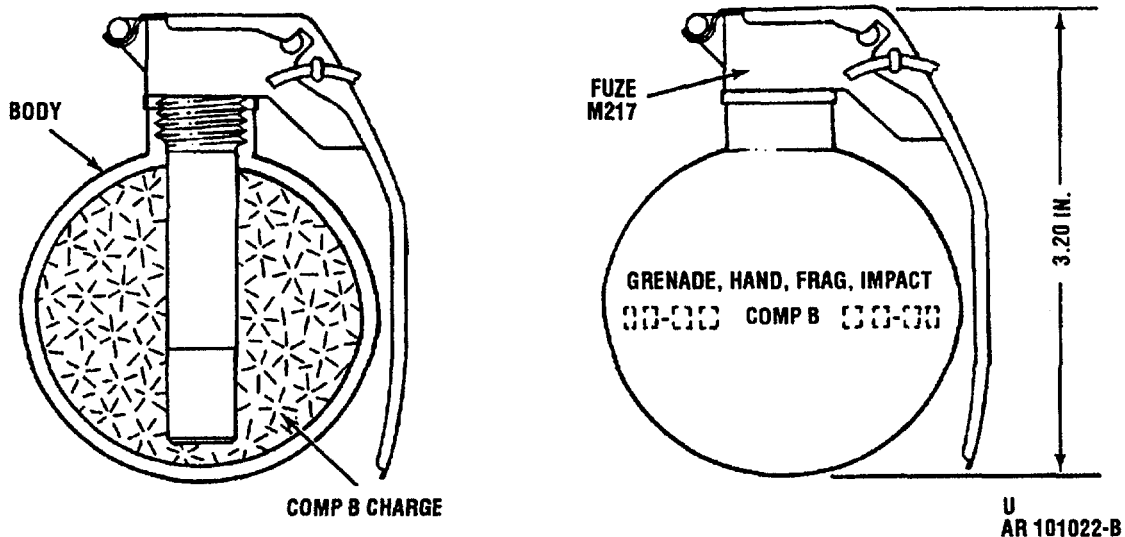
The M56 was the M26A1 with fuze M215.

The body configuration of the M57 (M26A2 with safety clip) is identical with the M61, M26A2, and M26 except the fuze thread is different.

**References:**

TM 9-1330-200  
 TM 9-1330-200-12  
 TM 9-1330-200-34  
 FM 23-20  
 DOD Consolidated Ammo Catalog

**GRENADE, HAND: FRAGMENTATION, IMPACT, M59 (M33A1)**



**Type Classification:**

Std. LCC-A, AMCTC 7764

**Use:**

The M59 (M33A1) fragmentation hand grenade is used to supplement small arms fire against the enemy in close combat. The grenade produces casualties by high velocity projection of fragments in a uniform distribution pattern.

**Description:**

The grenade body is a 2.5 inch diameter steel sphere which is designed to burst into numerous fragments when detonated. The grenade body contains 6.5 ounces of high-explosive, Composition B. Each grenade is fitted with a fuze that initiates the explosive charge.

The M59 (M33A1) grenade used the M217 fuze which is an electrical impact functioning fuze with a secondary pyrotechnic delay feature that will detonate the grenade if it does not explode on impact. The major components are as follows: a bouchon assembly, a fuze body assembly (which contains a primer, thermal power supply, an arming delay thermal switch, a delay detonation thermal switch assembly, an impact switch assembly and an electric detonator), and a booster pellet. The bouchon assembly consists of a striker, striker spring, striker hinge pin, safety lever and safety pin with pull ring. The fuze body is hermetically sealed.

The M217 fuze is equipped with a steel safety pin and pull ring. The split end of the safety pin is either spread approximately 40 degrees or diamond-shaped to prevent accidental removal and arming during shipping and handling. The pull ring is provided to facilitate easy removal of the safety pin.

The M59 grenade is the same as the M68 grenade except that it does not have a safety clip.

**Tabulated Data:**

Grenade (with fuze):

.....	(M33A1)
Body .....	Steel
Weight .....	14 oz
Length (max) .....	3.2 in.
Diameter .....	2.5 in.
Color .....	Olive drab w/yellow markings
Packing .....	1 per fiber container; 30 containers per packing box.

Filler:

Type .....	Comp B
Weight .....	6.5 oz

Fuze:

Model .....	M217
Type .....	Electrical impact w/ secondary pyrotechnic delay

Primer (percussion) .....M42  
 Detonator .....Lead azide, lead styphnate, PETN, and RDX  
 Delay time .....3.7 seconds  
 Weight .....2.7 oz  
 Length .....3.0 in.  
 Safety lever .....Olive drab handle w/IMPACT embossed on lever; red lever w/ or w/o IMPACT stenciled in black on lever  
 Safety device .....Pull ring and safety pin

**Packing Data:**

\*Packing .....1 per fiber container; 30 containers per wooden box \*Packing box:  
 Weight (with contents) .....52.0 lb  
 Dimensions .....20 x 11-11/16 x 10-31/32 in.  
 Cube .....1.49 cu ft  
 Explosive weight.....12.2 lb

**NOTE**

**See DOD Consolidated Ammunition Catalog for additional information including NSNs.**

**Shipping and Storage Data:**

Hazard class/division and storage compatibility group .....(04) 1.1F  
 UNO serial number .....0292  
 UNO proper shipping name .....Grenades  
 DOT class .....Class A explosive  
 DOT marking .....HAND GRENADES  
 DODAC.....1330-G887

**Functioning:**

Removal of the safety pin permits release of the safety lever. When the grenade is thrown, the striker assembly, through action of the spring, throws off the safety lever and impacts the percussion primer which functions the primer charge. The primer initiates the power supply, which causes the fuze to arm within one to two seconds; thereafter, the grenade is subject to detonation upon impact.

**NOTE**

**At high temperature (+125°F), arming time may be as short as 1 second; at low temperature (-40°F), as long as 2 seconds. The secondary pyrotechnic delay feature functions within 3 to 7 seconds throughout the temperature range of -40°F to +125°F.**

If the grenade does not detonate on impact (after proper arming time), the grenade will be detonated by the secondary pyrotechnic delay feature. If the fuze fails to function after release of the safety lever, the fuze power supply will become inactive within 30 seconds.

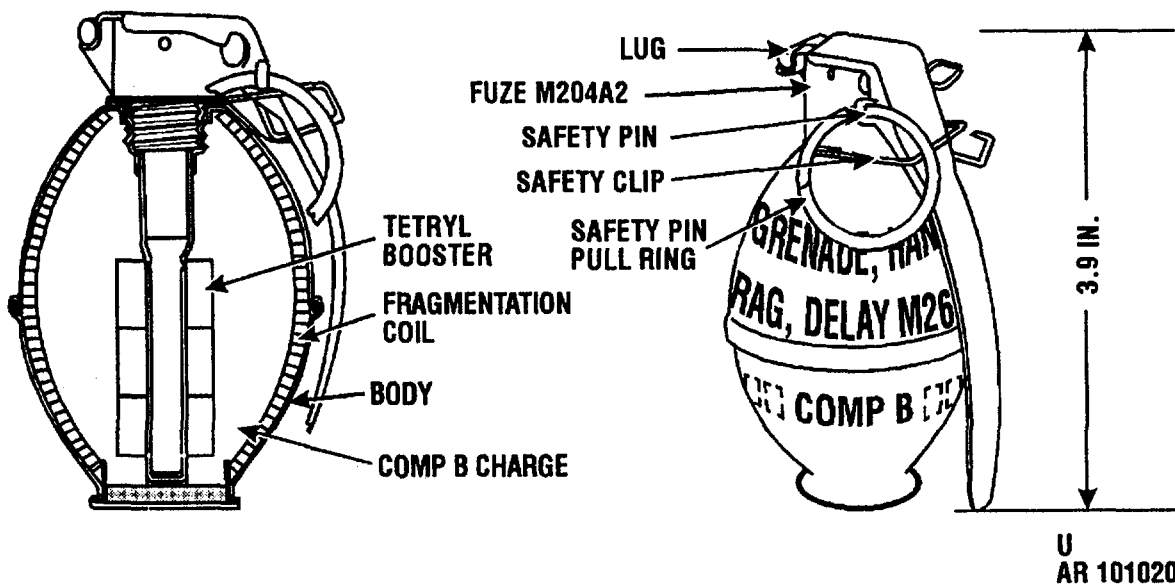
**References:**

TM 9-1330-200-12  
 TM 9-1330-200-34  
 FM 23-30  
 DOD Consolidated Ammo Catalog

**Drawings:**

Top drawing .....8833936  
 Marking drawing.....8810742  
 Packing box .....8836007  
 Fiber container .....8836008

**GRENADE, HAND: FRAGMENTATION, DELAY, M61**



**Type Classification:**

Std. LCC-A, AMCTC 6446

**Use:**

The M61 fragmentation hand grenade is used to supplement small arms fire against the enemy in close combat. The grenade produces casualties by high velocity projection of fragments.

**Description:**

Each grenade is assembled with a fuze that initiates the explosive charge. These grenades detonate 4 to 5 seconds after release of the safety lever.

Hand grenade M61 incorporates a safety clip. The body is constructed of two pieces of thin-wall sheet steel and has a notched fragmentation coil liner; M61 hand grenade uses M204A1 or M204A2 fuzes. They are pyrotechnic delay detonation fuzes. They differ only in body construction.

The body contains a primer and a pyrotechnic delay column. Assembled to the body are a striker, striker spring, safety lever, safety pin with pull ring, and a detonator assembly. The split end of the safety pin has an angular spread.

The hand grenade safety clip is designed to keep the safety lever in place should the safety pin be unintentionally removed from the grenade. It is an additional safety device used in conjunction with the safety pin.

The safety clip, of spring steel wire, consists of a loop which fits around the fuze body and a clamp which fits over the safety lever.

**Tabulated Data:**

<b>Grenade (with fuze):</b>	
Model .....	M61
Body .....	Thin-wall sheet steel w/inner fragmentation coil
Weight .....	16 oz
Length (max) .....	3.9 in.
Diameter .....	2.25 in.
Color.....	Olive drab w/yellow markings
Packing.....	1 per fiber container; 30 per packing box
<b>Explosive Filler:</b>	
Type .....	Comp B w/tetryl pellets
<b>Weight:</b>	
Comp B .....	5.5 oz
Tetryl pellets .....	0.3 oz
<b>Fuze:</b>	
Model(s) .....	M204A1, M204A2
Type .....	Pyrotechnic delay-detonating
Primer (percussion).....	M42
Detonator .....	Lead azide, lead styphnate, and RDX
Delay time .....	4-5 seconds
Weight .....	2.6 oz

Length .....4 in.  
 Color, safety lever.....Olive drab w/black markings  
 Packing .....Not issued separately

**Federal Supply Code**

NSN ..... 1330-00-935-6064  
 DODAC ..... 1330-G880

See DOD Consolidated Ammunition Catalog for additional information including NSNs.

**Unit of Issue:**

Each packed ..... 1 per fiber container; 30 per packing box.

**Packing Data:**

Packing box:  
 Weight (with contents) - 53.0 lb  
 Dimensions ..... 19-7/16 in. x 11-3/8 in.  
 x 12-23/32 in.  
 Cube ..... 1.60 cu ft

**Shipping and Storage Data:**

Hazard class/division and storage compatibility group .....(04) 1.1F  
 UNO serial number .....0292  
 UNO proper shipping name ..... Grenades  
 DOT class ..... Class A explosive  
 DOT marking ..... HAND GRENADES

**Functioning:**

Release of the safety clip and removal of the safety pin permit release of the safety lever. When the safety lever is released, it is forced away from the grenade body by a striker spring. The striker rotates on its axis and strikes the percussion primer. The primer emits a small, intense spit of flame, igniting the delay element. The delay element burns for 4 to 5 seconds, then sets off the detonator. The detonator explodes, thus initiating the explosive charge. The explosive charge explodes, rupturing the body and projecting fragments.

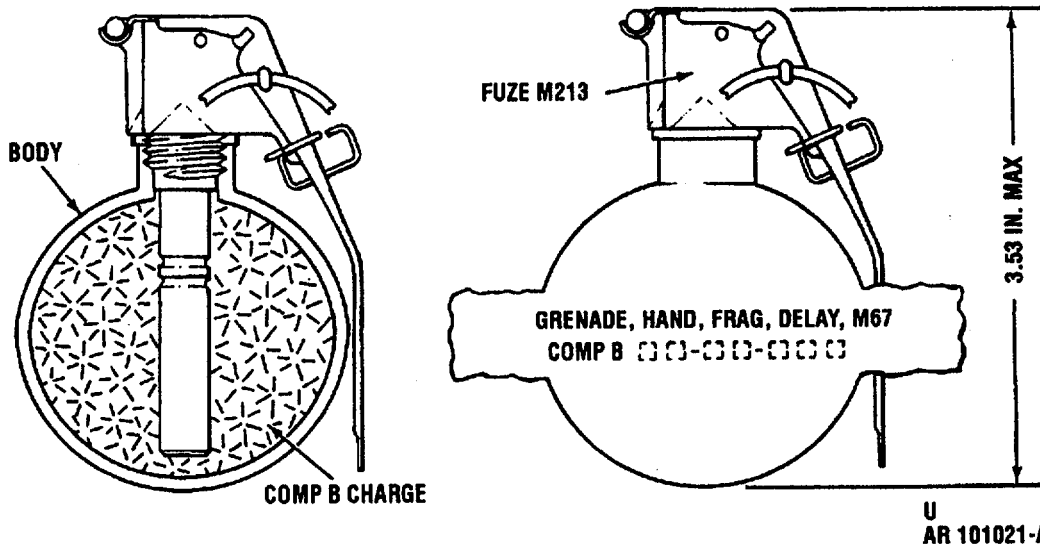
**References:**

TM 9-1330-200-12  
 TM 9-1330-200-34  
 FM 23-30  
 DOD Consolidated Ammo Catalog

**Drawings:**

Assembly ..... 9231594  
 Fuze:  
 M204A1 ..... 82-1-87  
 M204A2 ..... 7548570  
 Packing (inner) ..... 7548339  
 Packing (outer) ..... 7548340

**GRENADE, HAND: FRAGMENTATION, DELAY, M67**



**Type Classification:**

Std. LCC-A, AMCTC 7764

**Use:**

The M67 fragmentation hand grenade is used to supplement small arms fire against the enemy in close combat. The grenade produces casualties by high velocity projection of fragments in a uniform distribution pattern.

**Description:**

The grenade body is a 2.5-inch diameter steel sphere which is designed to burst into numerous fragments when detonated. The grenade body contains 6.5 ounces of high-explosive, Composition B. Each grenade is fitted with a fuze that initiates the explosive charge.

The M67 grenade uses the M213 fuze which is a pyrotechnic delay-detonating fuze. It will function the grenade 4 to 5 seconds after release of the safety lever. The body of the fuze contains a primer and a pyrotechnic delay column. Assembled to the body are a striker, striker spring, safety lever, safety pin and pull ring, safety clip, and a detonator assembly.

The M213 fuze is equipped with a steel safety pin and pull ring. The split end of the safety pin is either spread approximately 40 degrees or diamond-shaped to prevent accidental removal and arming during shipping

and handling. The pull ring is provided to facilitate easy removal of the safety pin.

A second safety feature is the steel safety clip. The safety clip's purpose is to prevent the safety lever from snapping upward into a triggered position, in the event the safety pin is accidentally dislodged from the fuze.

**Tabulated Data:**

Grenade (with fuze):

Model .....	M67
Body .....	Steel
Weight .....	14 oz
Length (max) .....	3.53 in.
Diameter .....	2.5 in.
Color .....	Olive drab w/yellow markings

Explosive filler:

Type .....	Comp B
Weight .....	6.5 oz

Fuze:

Model .....	M213
Type .....	Pyrotechnic delay-detonating
Primer (percussion) .....	M42
Detonator .....	Lead azide, lead styphnate, and RDX
Delay time .....	4-5 seconds
Weight .....	2.5 oz
Length .....	3.33 in.

Color, safety lever .....Olive drab w/black markings  
 Safety device(s) .....Pull ring and safety pin, and safety clip.

DOT class .....Class A explosive  
 DOT marking .....HAND GRENADES

**Federal Supply Code**

NSN ..... 1330-00-133-8244  
 DODAC..... 1330-G881

See DOD Consolidated Ammunition Catalog for additional information.

**Unit of Issue:**

Each packed ..... 1 per fiber container; 30 per wooden box.

**Packing Data:**

Packing box:  
 Weight (with contents)- 52.0 lb  
 Dimensions ..... 18-15/16 in. x 11-1/4 in. x 11-1/6 in.  
 Cube ..... 1.37 cu ft  
 Explosive weight..... 12.2 lb

**Shipping and Storage Data:**

Hazard class/division and storage compatibility group .....(04) 1.1F  
 UNO serial number .....0292  
 UNO proper shipping name ..... Grenades

**Functioning:**

Release of the safety clip and removal of the safety pin permits release of the safety lever. When the grenade is thrown, the striker assembly, through action of the spring, throws off the safety lever and impacts the percussion primer which functions the primer charge. The primer charge ignites the delay composition which will burn approximately 4-5 seconds. Upon completion of burning, the delay composition sets off the detonator which ignites the main explosive charge and detonates the grenade.

**References:**

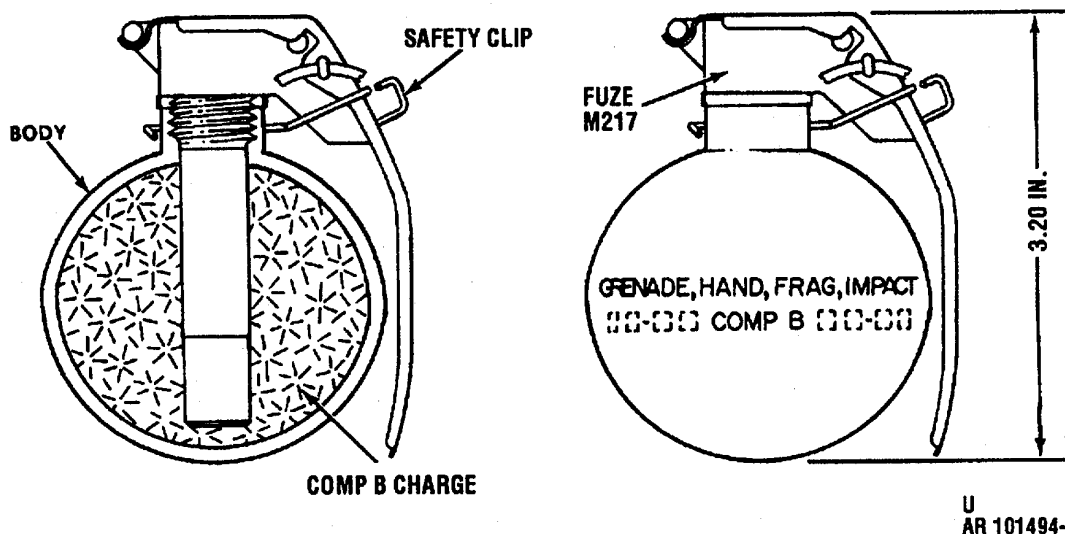
TM 9-1330-200  
 TM 9-1330-200-12  
 TM 9-1330-200-34  
 FM 23-30  
 DOD Consolidated Ammo Catalog

**Drawings:**

Top drawing ..... 9235492  
 Marking drawing..... 8810742  
 Packing box ..... 9288720  
 Fiber container ..... 8800493



**GRENADE, HAND: FRAGMENTATION, IMPACT, M68**



U  
AR 101494-A

**Type Classification:**

Obs. MSR 08846004

**Use:**

The M68 fragmentation hand grenade is used to supplement small arms fire against the enemy in close combat. The grenade produces casualties by high velocity projection of fragments in a uniform distribution pattern.

**Description:**

The grenade body is a 2.5-inch diameter steel sphere which is designed to burst into numerous fragments when detonated. The grenade body contains 6.5 ounces of high-explosive, Composition B. Each grenade is fitted with a fuze that initiates the explosive charge.

The M68 grenade uses the M217 fuze which is an electrical impact functioning fuze with a secondary pyrotechnic delay feature that will detonate the grenade if it does not explode on impact. The major components are as follows: a bouchon assembly, a fuze body assembly (which contains a primer, thermal power supply, an arming delay thermal switch, a delay-detonation thermal switch assembly, an impact switch assembly and an electric detonator), and a booster pellet. The bouchon assembly consists of a striker, striker spring, striker hinge pin, safety lever and safety pin with pull ring. The fuze body is hermetically sealed.

The M217 fuze is equipped with a steel safety pin and pull ring. The split end of the safety pin is either

spread approximately 40 degrees or diamond-shaped to prevent accidental removal and arming during shipping and handling. The pull ring is provided to facilitate easy removal of the safety pin.

A safety feature is the steel safety clip. The safety clip's purpose is to prevent the safety lever from snapping upward into a triggered position, in the event the safety pin is accidentally dislodged from the fuze.

**Tabulated Data:**

Grenade (with fuze):

Model .....	M68
Body .....	Steel
Weight .....	14 oz
Length (max) .....	3.2 in.
Diameter .....	2.5 in.
Color .....	Olive drab w/yellow markings

Explosive filler:

Type .....	Comp B
Weight .....	6.5 oz

Fuze:

Model .....	M217
Type .....	Electrical impact w/secondary pyrotechnic delay
Primer (percussion).....	M42
Detonator.....	Lead azide, lead styphnate, PETN, and RDX
Delay time .....	3-7 seconds
Weight.....	2.7 oz

Length .....3.0 in.  
 Color, safety lever- .....Olive drab w/IMPACT  
 embossed on lever  
 Safety device(s) .....Pull ring and safety pin,  
 and safety clip

fuze to arm within one to two seconds; thereafter, the  
 grenade is subject to detonation upon impact.

**Federal Supply Code**

NSN .....1330-00-133-8243  
 DODAC.....1330-G882

**Unit of Issue:**

Each packed .....1 per fiber container; 30  
 per wooden box.

**Packing Data:**

Packing box:  
 Weight (with contents) ..... 52.0 lb  
 Dimensions .....20-0 in. x 11-11/16 in.  
 x 10-31/32 in.  
 Cube .....1.49 cu ft  
 Explosive weight..... 12.2 lb

**Shipping and Storage Data:**

Hazard class/division and storage compatibility  
 group .....(04) 1.1F  
 UNO serial number .....0292  
 UNO proper shipping name.....Grenades  
 DOT class.....Class A explosive  
 DOT marking .....HAND GRENADES

**Functioning:**

Release of the safety clip and removal of the safety pin  
 permits release of the safety lever. When the grenade  
 is thrown, the striker assembly, through action of the  
 spring, throws off the safety lever and impacts the  
 percussion primer which functions the primer charge.  
 The primer initiates the power supply, which causes the

**NOTE**

- At high temperature (+125°F),  
 arming time may be as short as 1  
 second; at low temperature (-40°F),  
 as long as 2 seconds. The  
 secondary pyrotechnic delay feature  
 functions within 3 to 7 seconds  
 throughout the temperature range of  
 -40°F to +125°E.
- If the grenade does not detonate  
 on impact (after proper arming time),  
 the grenade will be detonated by the  
 secondary pyrotechnic delay feature.  
 If the fuze fails to function after  
 release of the safety lever, the fuze  
 power supply will become inactive  
 within 30 seconds.

**References:**

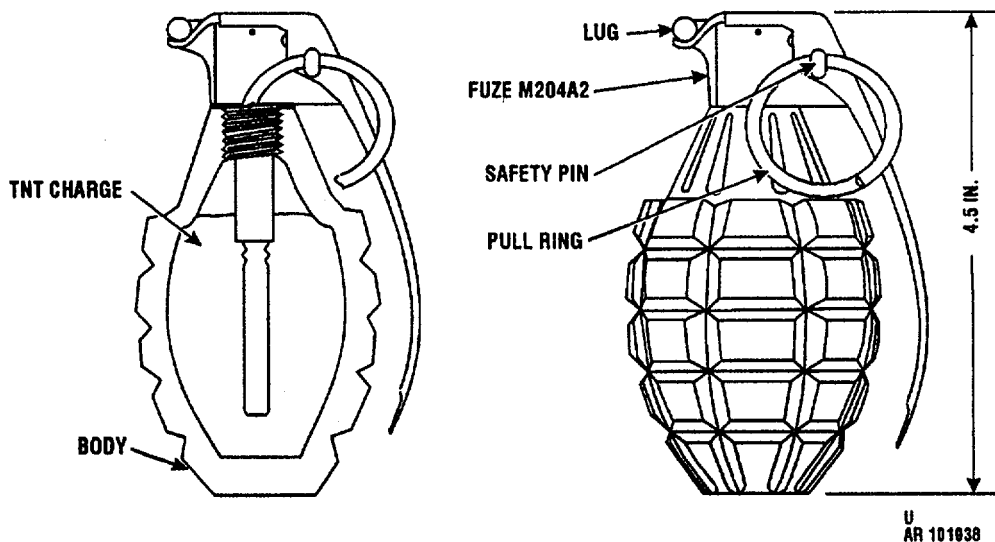
TM 9-1330-200  
 TM 9-1330-200-12  
 TM 9-1330-200-34  
 FM 23-30  
 DOD Consolidated Ammo Catalog

**Drawings:**

Top drawing .....9235493  
 Marking drawing.....8810742  
 Packing box .....8836007  
 Fiber container .....8836008

**Remarks:**

Hand grenade M68 is the M59 with a safety clip.



**Type Classification:**

Obs. AMCTC 6558

**Use:**

The MK2 fragmentation hand grenade is used to supplement small arms fire against the enemy in close combat. The grenade produces casualties by high velocity projections of fragments.

**Description:**

The MK2 grenade is pineapple shaped with deep serrations of its body. These serrations delineate fragmentation of the body when the grenade explodes. No safety clip is authorized for use with this grenade.

The grenade body is of cast iron and contains a high-explosive filler.

Grenade fuzes M204A1 and M204A2 are pyrotechnic delay-detonating fuzes. They differ only in body construction. The body contains a primer and a pyrotechnic delay column. Assembled to the body are a striker, striker spring, safety lever, safety pin with pull ring, and detonator assembly. The split end of the safety pin has an angular spread or diamond crimp.

**Tabulated Data:**

Grenade (with fuze):	
Model(s) .....	MK2
Body .....	Cast iron
Weight .....	21 oz
Length (max) .....	4.5 in.
Diameter .....	2.25 in.
Color .....	Olive drab, or olive drab w/yellow band around top of fuze well
Explosive Filler:	
Type .....	TNT (flaked or granular)
Weight .....	2 oz
Fuze:	
Model(s) .....	M204A1, M204A2
Type .....	Pyro delay-detonating
Primer .....	M42
Detonator .....	Lead azide, lead styphnate, and RDX
Delay time .....	4-5 seconds
Weight .....	2.6 oz
Length .....	4 in.
Color, safety lever .....	Olive drab w/black markings
Packing .....	Not issued separately
Safety device .....	Pull ring and safety pin (Grenade MK2)

**Federal Supply Code**

NSN .....1330-00-028-5841  
DODAC.....1330-G890

See DOD Consolidated Ammunition Catalog for additional information.

**Unit of Issue:**

Each packed .....1 per fiber container; 25 per packing box.

**Packing Data:**

Packing box:

Weight (with contents) .....57.6 lb  
Dimensions .....17-3/4 in. x 16-1/4 in. x 11-5/8 in.  
Cube .....1.27 cu ft

**Shipping and Storage Data:**

Hazard class/division and storage compatibility group .....(04) 1.1F  
UNO serial number .....0292  
UNO proper shipping name .....Grenades  
DOT class.....Class A explosive  
DOT marking .....HAND GRENADES

**Functioning:**

Removal of the safety pin permits release of the safety lever. When the safety lever is released, it is forced away from the grenade body by a striker acting under the force of a striker spring. The striker rotates on its axis and strikes the percussion primer. The primer emits a small, intense spit of flame, igniting the delay element. The delay element burns for 4 to 5 seconds, then sets off the detonator. The detonator explodes, thus initiating the explosive charge. The explosive charge explodes, rupturing the body and projecting fragments.

**References:**

TM 9-1330-200  
TM 9-1330-200-12  
TM 9-1330-200-34  
FM 23-30  
DOD Consolidated Ammo Catalog

**Drawings:**

Assembly .....82-0-143  
Fuzes:  
M204A1 .....82-1-87  
M204A2 .....7548570  
Packing (inner) .....76-1-1154  
Packing (outer) .....76-1-1266

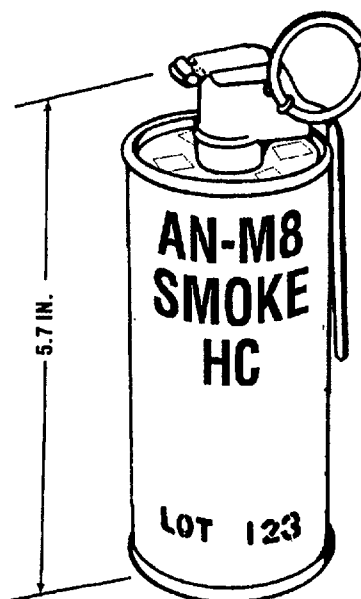
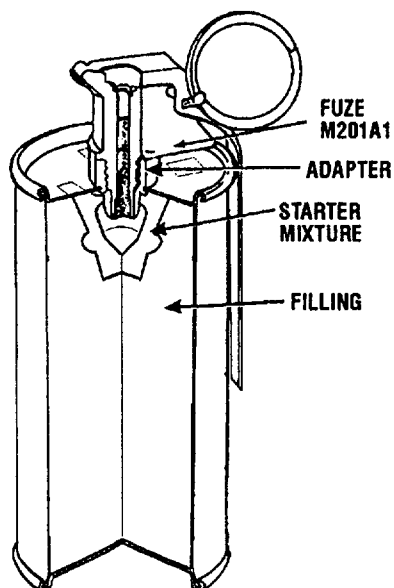
**CHAPTER 2**  
**HAND GRENADES**

---

**Section II. SMOKE**

**THIS PAGE INTENTIONALLY LEFT BLANK**

**GRENADE, HAND: SMOKE, HC, AN-M8**



U  
AR 101027

**Type Classification:**

Std. LCC-A, AMCTC 3408

**Use:**

The HC Smoke Hand Grenade AN-M8 is a burning type grenade used to generate white smoke for screening activities of small units. It is also used for ground-to-air signaling.

**Description:**

The grenade body is a cylinder of thin sheet metal. It is filled with HC smoke mixture topped with a starter mixture directly under the fuze opening. The duration of smoke screen or signal is 105 to 150 seconds.

Hand grenade fuze M201A1 is a pyrotechnic delay-igniting fuze. The body contains a primer, first-fire mixture, pyrotechnic delay column, and ignition mixture. Assembled to the body are a striker, striker spring, safety lever and safety pin with pull ring. The split end of the safety pin has an angular spread.

Safety clips are not required with these grenades.

**Tabulated Data:**

Grenade (with fuze):

Model(s).....	AN-M8
Body .....	Sheet metal
Weight .....	24 oz
Length .....	5.7 in.
Diameter .....	2.5 in.
Color .....	Light green w/black markings
Packing.....	1 per container; 16 per packing box

Filler:

Type .....	HC (type C)
Weight.....	19 oz

Fuze:

Model(s) .....	M201A1
Type .....	Pyrotechnic delay-igniting
Primer.....	M39A1
Ignition mixture .....	Iron oxide, titanium, zirconium
Delay time .....	0.7-2 seconds
Weight.....	1.5 oz
Length .....	3.9 in.
Color (safety lever) .....	Gray or olive drab w/black markings
Packing .....	Not separately issued
Safety device .....	Pull ring and safety pin

**Federal Supply Code**

NSN .....1330-00-219-8511  
 DODAC.....1330-G930  
 See DOD Consolidated Ammunition Catalog for additional information.

**Unit of Issue:**

Each grenade packed .....1 per container; 16 per packing box

**Packing Data:**

Packing box:  
 Weight (with contents) .....41.0 lb  
 Dimensions .....14.0 in. x 14.0 in. x 8.0 in.  
 Cube .....0.90 cu ft

**Shipping and Storage Data:**

Hazard class/division and storage compatibility group .....1.3G  
 UNO serial number .....0016  
 UNO proper shipping name .....Primers, cap type  
 DOT class.....Class C explosive  
 DOT marking .....SMOKE GRENADES,  
 HANDLE CAREFULLY  
 - KEEP FIRE AWAY

**Functioning:**

Removal of the safety pin permits release of the safety lever. When the safety lever is released, it is forced away from the grenade body by a striker acting under the force of a striker spring. The striker rotates on its own axis and strikes the percussion primer. The primer initiates the first fire mixture. The fuze delay element, ignition mixture, and grenade starter mixture and filler are initiated in turn by the preceding component. The pressure sensitive tape is blown off the emission holes and smoke is emitted for 105 to 150 seconds.

**References:**

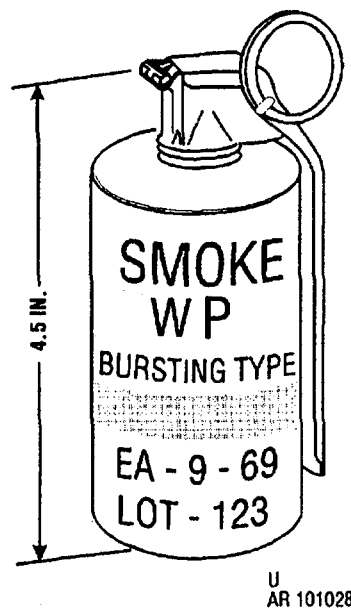
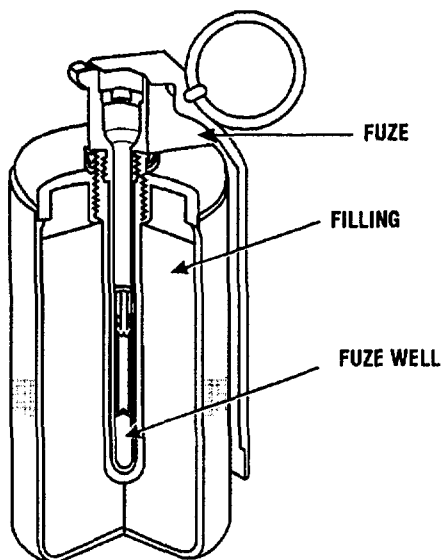
TM 9-1330-200  
 TM 9-1330-200-12  
 TM 9-1330-200-34  
 FM 23-30  
 DOD Consolidated Ammo Catalog

**Drawings:**

Assembly ..... 13-19-32  
 Fuze ..... 13-10-22  
 Packing (inner) ..... 13-9-44  
 Packing (outer) ..... 13-19-83



**GRENADe, HAND: SMOKE, WP, M15**



**Type Classification:**

Obs. MSR 11756003

**Use:**

WP smoke hand grenade M15 is a bursting type grenade used for signaling, screening and incendiary purposes.

**Description:**

The grenade body is of sheet steel and is cylindrical in shape. The body has a fuze well liner and is filled with WP.

The screening effect of the smoke is limited because WP burns with such intense heat, the smoke tends to rise rapidly. Pieces of WP will burn for about 60 seconds, igniting any flammable substance contacted. The hand grenade M206A1 and M206A2 are pyrotechnic delay-detonating fuzes. They differ only in body construction. The body contains a primer and a pyrotechnic delay column. Assembled to the body are a striker, striker spring, safety lever, safety pin with pull ring, and a detonator assembly. The split end of the safety pin has an angular spread or a diamond crimp.

Safety clips are not required with these grenades.

**Tabulated Data:**

Grenade (with fuze):

Model(s).....M15  
 Body .....Sheet metal  
 Weight .....31 oz  
 Length (max) .....4.5 in.  
 Diameter .....2-3/8 in.  
 Color .....Grey w/yellow band and yellow markings

Filler:

Type .....WP  
 Weight.....15 oz

Fuze:

Model(s) .....M206A1, M206A2  
 Type .....Pyrotechnic delay-detonating  
 Primer.....M42  
 Detonator .....Lead azide, lead styphnate, RDX  
 Delay time .....4-5 seconds  
 Weight .....2.6 oz  
 Length .....4.3 in.  
 Color .....Olive drab w/black markings  
 Packing.....N/A  
 Safety device .....Pull ring and safety pin

**Federal Supply Code**

NSN ..... 1330-00-219-8510  
 DODAC ..... 1330-G935

**Unit of Issue:**

Each grenade packed ..... 1 per container

**Packing Data:**

\*Packing box:  
 Weight (with contents) ..... 46.0 lb  
 Dimensions ..... 14.0 in. x 12.5 in. x 8.0 in.  
 Cube ..... 0.80 cu ft

**NOTE**

**See DOD Consolidated Ammunition Catalog for additional information including NSNs.**

**Shipping and Storage Data:**

Hazard class/division and storage compatibility group ..... (04) 1.2H  
 UNO serial number ..... 0245  
 UNO proper shipping name ..... Ammunition, smoke, white phosphorus  
 DOT class ..... Class A explosive

DOT marking ..... HAND GRENADES

**Functioning:**

Removal of the safety pin permits release of the safety lever. When safety lever is released, it is forced away from the grenade body by a striker acting under the force of a striker spring. The striker rotates on its axis and strikes the percussion primer. The primer emits a small, intense spit of flame, igniting the delay element. The delay element burns for 4 to 5 seconds, then sets off the detonator. The detonator explodes rupturing the body and exposing the WP filler to air. The WP will burn approximately 60 seconds.

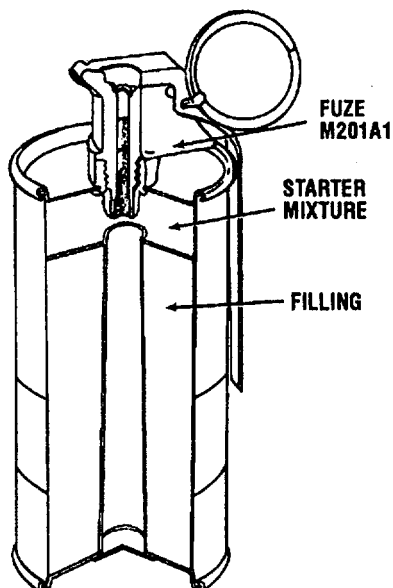
**References:**

TM 9-1330-200  
 TM 9-1330-200-12  
 TM 9-1330-200-34  
 FM 23-30

**Drawings:**

Assembly ..... 13-19-18  
 Fuze (M206A1) ..... 82-1-104  
 Fuze (M206A2) ..... 7548570  
 Packing (inner) ..... 13-9-44  
 Packing (outer) ..... 13-9-96

**GRENADE, HAND: SMOKE, M18**



U  
AR 101029-A

**Type Classification:**

Std. LCC-A, AMCTC 3450

**Use:**

Colored Smoke Hand Grenade M18 is used for ground-to-air or ground-to-ground signaling.

**Description:**

The grenades may be filled with any one of four smoke colors: red, green, yellow or violet. Each grenade will emit smoke for 50 to 90 seconds. The grenade body is of thin sheet metal and is filled with red, green, yellow or violet smoke composition. The filler is topped with a starter mixture.

The hand grenade fuze M201A1 is a pyrotechnic delay-igniting fuze. The body contains a primer, first-fire mixture, pyrotechnic delay column, and ignition mixture. Assembled to the body are a striker, striker spring, safety lever, and safety pin with pull ring. The split end of the safety pin has an angular spread.

Safety clips are not required with these grenades.

**Tabulated Data:**

Grenade (with fuze):

Model(s) .....	M18
Body .....	Sheet metal
Weight .....	19 oz
Length .....	5.75 in.
Diameter .....	2.5 in.
Color.....	Light green w/black markings
Packing .....	1 per container; 16 per packing box.

Filler:

Type .....	Smoke composition
Weight.....	11-1/2 oz

Fuze:

Model(s) .....	M201A1
Type .....	Pyrotechnic delay-igniting
Primer.....	M39A1
Ignition mixture .....	Iron oxide, titanium, zirconium
Delay time .....	0.7-2 seconds
Weight.....	1.5 oz
Length .....	3.9 in.
Color.....	Gray or olive drab w/ black markings
Packing .....	Not separately issued
Safety device .....	Pull ring and safety pin

**Federal Supply Code**

**DODACs:**

Red ..... 1330-G950  
 Green ..... 1330-G940  
 Yellow..... 1330-G945  
 Violet ..... 1330-G955

**Unit of Issue:**

Each grenade packed ..... 1 per container; 16 per packing box.

**Packing Data:**

\*Packing:

Weight (with contents) ..... 34.0 lb  
 Dimensions ..... 15.5 in. x 14.0 in. x 9.0 in.  
 Cube ..... 1.1 cu ft

**NOTE**

**See DOD Consolidated Ammunition Catalog for additional information including NSNs.**

**Shipping and Storage Data:**

Hazard class/division and storage compatibility group ..... 1.4G  
 UNO serial number ..... 0303  
 UNO proper shipping name ..... Ammunition, smoke

DOT class ..... Class C explosive  
 DOT marking ..... SMOKE GRENADES, HANDLE CAREFULLY - KEEP FIRE AWAY

**Functioning:**

Removal of the safety pin permits release of the safety lever. When the safety lever is released, it is forced away from the grenade body by a striker acting under the force of a striker spring. The striker rotates on its own axis and strikes the percussion primer. The primer initiates the first fire mixture. The fuze delay element, ignition mixture, and grenade starter mixture and filler are initiated in turn by the preceding component. The pressure sensitive tape is blown off the emission holes and the colored smoke emits from these holes.

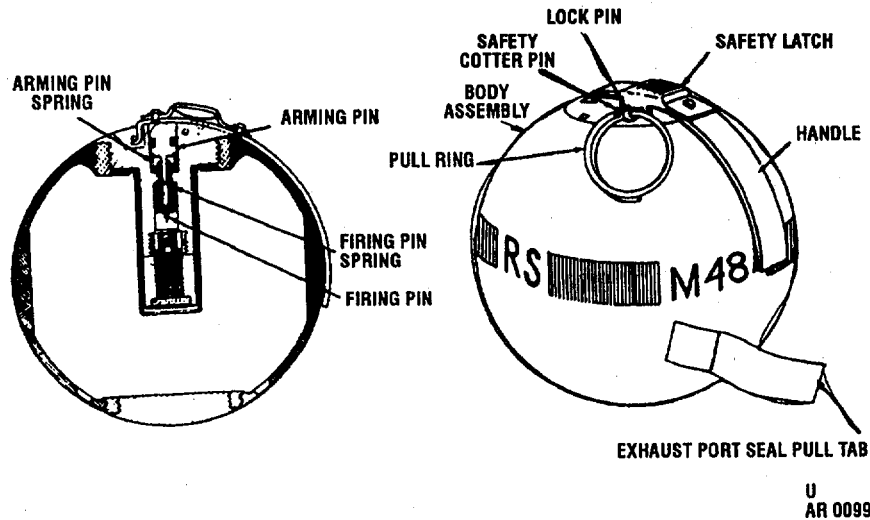
**References:**

TM 9-1330-200  
 TM 9-1330-200-12  
 TM 9-1330-200-34  
 FM 23-30

**Drawings:**

Assembly ..... 13-19-37  
 Fuze..... 13-10-22  
 Packing (inner)..... 13-9-44  
 Packing (outer)..... 13-19-83

**GRENADE, HAND: SMOKE, RED, M48**



**Type Classification:**

Std. LCC-A, MSR 08746046

**Use:**

The M48 grenade is a special-purpose, burning-type munition used for training. This grenade is a nonlethal-type munition that contains red smoke mixture.

**Description:**

The M48 grenade consists of rubber body assembly, an XM227E1 fuze, and a filling of RS red smoke mixture. The grenade weighs 390 grams (approximately 1 lb), and is 3-1/2 inches in diameter. The grey grenade body is made of two rubber hemispheres vulcanized together. The top half of the grenade contains the fuze, and the bottom half of the grenade contains the filling hole and the exhaust port. The grenade is filled with approximately 165 grams of RS mixture.

**Tabulated Data:**

Grenade (with fuze):

Model .....M48  
 Body .....Spherical rubber casting

Weight .....390 grams  
 Diameter .....3.5 in.  
 Color .....Light green w/black band and black markings  
 Packing .....20 per box  
 Filler:  
 Type .....Red smoke mixture RS  
 Weight .....Approximately 165 grams  
 Burning time .....5 - 25 seconds  
 Fuze:  
 Model .....M227  
 Type .....Pyrotechnic time delay-detonating  
 Primer.....0.11 gram of lead styphnate, antimony sulfide, tetracene and barium nitrate  
 Starter mixture.....0.35 gram of silicon, red lead, and titanium in a nitrocellulose acetone binder  
 Delay charge .....1.6 grams of silicon, red lead, and dialomaceous earth in a nitrocellulose acetone binder

Ignition mix .....0.3 gram of iron oxide,  
 titanium, and zirconium  
 in a nitrocellulose  
 acetone binder  
 Delay time .....2.5-3.5 seconds  
 Weight.....NA  
 Length .....NA  
 Color (safety lever) .....NA  
 Safety device .....Safety pin and safety  
 latch

group .....1.4G  
 UNO serial number .....0303  
 UNO proper shipping name .....Ammunition, smoke  
 DOT class.....Class C explosive  
 DOT marking .....SMOKE GRENADES,  
 HANDLE CAREFULLY -  
 KEEP FIRE AWAY

**Federal Supply Code**

NSN .....1330-00-477-6719  
 DODAC.....1330-G932

**Unit of Issue:**

Each grenade packed .....20 per box

**Packing Data:**

\*Packing box:  
 Box of 20. ....Pallet (33 boxes)  
 Length .....50 in.  
 Width.....48 in.  
 Depth .....52 in.  
 Weight .....1200 lb

**NOTE**

**See DOD Consolidated Ammunition  
 Catalog for additional information  
 including NSNs.**

**Shipping and Storage Data:**

Hazard class division and storage compatibility

**Functioning:**

First, the tape over the emission port will be removed. The safety pin will be pulled and then the safety latch is slid into the armed position. The arming handle is then free to separate from the grenade body. The firing pin initiates a primer which in turn initiates a starting mixture. The starting mixture initiates the delay charge which lights the ignition mix. The built-up pressure forces the RS mixture through the emission port dispersing the agent.

**References:**

TM 9-1330-200-12  
 TM 9-1330-200-34  
 FM 23-30

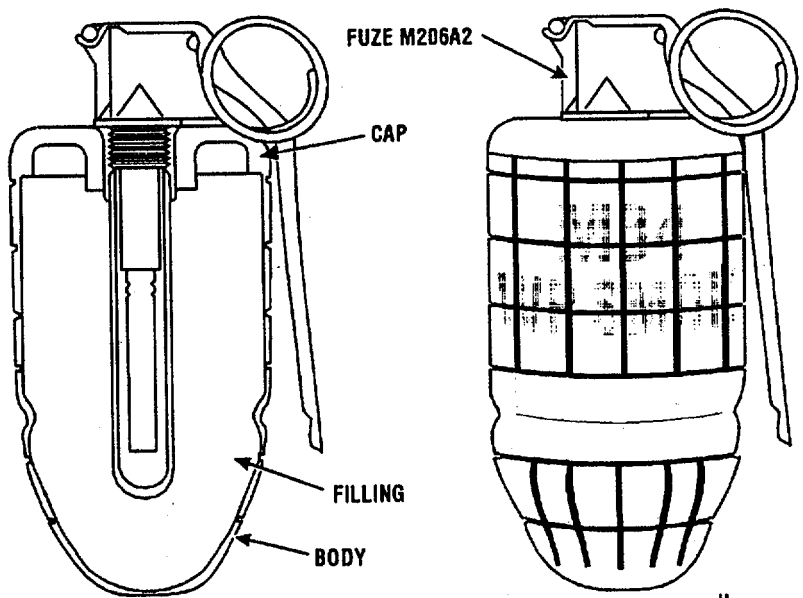
**Drawings:**

Assembly .....D13-25-71  
 Fuze .....D13-10-40  
 Packing.....D13-25-75

**Remarks:**

The M48 red smoke grenade is used as the training aid for the M47 grenade.

**GRENADE, HAND-RIFLE: SMOKE, WP, M34**



U  
AR 101031

**Type Classification:**

Obs. MSR 11756003

**Use:**

The M34 grenade is used for signaling, screening, and incendiary purposes. It may be thrown by hand or launched from a rifle, using the M1A1 or M1A2 grenade projection adapter.

**Description:**

The M34 grenade body is of serrated steel and is cylindrical in shape. The body has a fuze well liner and is filled with WP.

The M34 hand-rifle grenade has a safety pin which must be removed, and a safety lever which is released to cause the grenade to function. Newer models also contain a safety clip to keep the safety lever in place, should the safety pin be unintentionally removed from the grenade.

The M34 hand-rifle grenade uses the M206A2 fuze. It is a pyrotechnic delay detonating fuze. The body contains a primer and a pyrotechnic delay column. Assembled to the body are a striker, spring, safety lever, safety pin with pull ring, and a detonator assembly. The split end of the safety pin has an angular spread or diamond crimp.

**Tabulated Data:**

Grenade (with fuze):

Model .....	M34
Body .....	Steel
Weight .....	24 oz
Length .....	5.2 in.
Diameter .....	2.375 in.
Color .....	Light green w/1 yellow band; light red markings
Packing .....	1 per can; 16 cans per packing box

Filler:

Type .....	WP
Weight .....	15 oz

Fuze:

Model .....	M206A2
Type .....	Pyrotechnic delay detonating
Primer .....	M42
Detonator .....	Lead azide, lead styphnate, and RDX
Delay time .....	4-5 seconds
Weight .....	2.6 oz
Length .....	4.3 in.
Color (safety lever) .....	Olive drab w/black markings
Safety device .....	Pull ring and safety pin; safety clip (newer models only)
Packing .....	Not separately issued

**Federal Supply Code:**

DODAC ..... 1330-G937

**Unit of Issue:**

Each grenade packed ..... 1 per can; 16 cans  
packing box

**Packing Data:**

\*Packing box:

Weight (with contents)..... 42.0 lb  
Dimensions ..... 14-5/8 in. x 3-18 in.  
x 9-1/8 in.  
Cube ..... 0.7 cu ft

\*NOTE: See DOD Consolidated Ammunition Catalog for additional information including NSNs.

**Shipping and Storage Data:**

Hazard class/division and  
storage compatibility  
group ..... (04) 1.2H  
UNO serial number ..... 0245  
UNO proper shipping  
name ..... Ammunition,  
smoke, white phos-  
phorus  
DOT class ..... Class A explosive  
DOT marking ..... HAND  
GRENADES

**Functioning:**

Release of the safety clip (on newer models only) and removal of the safety pin permit release of the safety lever. When the safety lever is released, it is forced away from the grenade body by a striker acting under the force of a striker spring. The striker rotates on its axis and strikes the percussion primer. The primer emits a small, intense spit of flame which ignites the delay element. The delay element burns for 4 to 5 seconds, then sets off the detonator. The detonator explodes, rupturing the body and exposing the WP filler to the air. The WP will burn for approximately 60 seconds.

**NOTE**

**When provided without a safety clip, the functioning is the same as above except for release of the safety clip.**

**References:**

TM 9-1330-200  
TM 9-1330-200-12  
TM 9-1330-200-34  
FM 23-30

**Drawings:**

Assembly and marking ..... 13-7-4  
Packaging assembly ..... 13-9-98  
Inert components ..... 13-7-11



CHAPTER 2  
HAND GRENADES

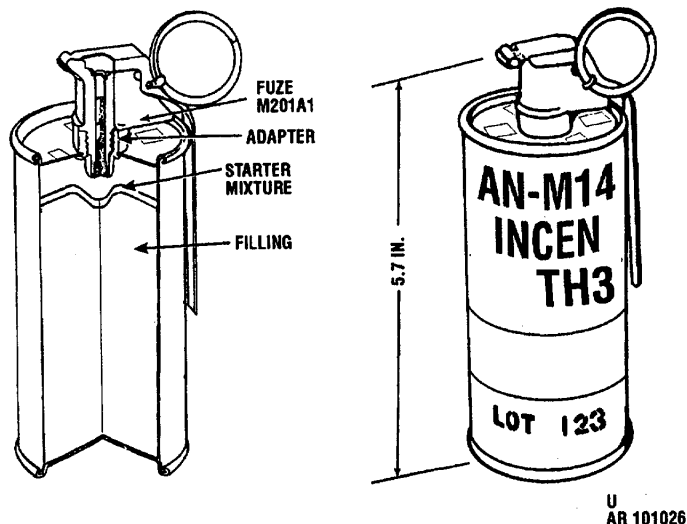
---

Section III. INCENDIARY

2-33

THIS PAGE INTENTIONALLY LEFT BLANK

**GRENADE, HAND: INCENDIARY, TH3, AN-M14**



**Type Classification:**

STD. LCC-A, AMCTC 3408

**Use:**

The TH3 incendiary hand grenade AN-M14 is used primarily to provide a source for intense heat to destroy equipment.

**Description:**

The TH3 incendiary hand grenade generates heat to 4000°F. The grenade filler will burn from 30 to 45 seconds. The grenade body is of thin sheet metal and is cylindrical in shape. It is filled with an incendiary mixture, Thermite TH3 and First-Fire Mixture VII.

Hand grenade fuze M201A1 is a pyrotechnic delay-igniting fuze. The body contains a primer first-fire mixture. Assembled to the body are a striker, striker spring, safety lever and safety pin with pull ring. The split end of the safety pin has an angular spread.

Safety clips are not required with these grenades.

**Tabulated Data:**

Grenade (with fuze):

Model(s) .....	AN-M14
Body .....	Sheet metal
Weight .....	32 oz
Length .....	5.7 in.
Diameter .....	2.5 in.
Color .....	Light red w/black markings

Filler:

Type .....	Igniter mixture III, delay mixture V, FF mixture VII, incendiary mixture, Thermite, TH3 and thermite, plain
Weight .....	26-1/2 oz

Fuze:

Model(s) .....	M201A1
Type .....	Pyrotechnic delay-igniting
Primer .....	M39A1
Ignition mixture .....	Iron oxide, titanium, zirconium
Delay time .....	0.7-2 seconds
Weight .....	1.5 oz
Length .....	3.9 in.
Color .....	Gray or olive drab w/black markings
Packing .....	Not separately issued
Safety device .....	Pull ring and safety pin

**Federal Supply Code:**

NSN ..... 1330-00-219-8557  
 DODAC ..... 1330-G900

**Unit of Issue:**

Each grenade packed ..... 1 per fiber container; 16 per packing box

**Packing Data:**

\*Packing box:  
 Weight (with contents) ..... 47 lb  
 Dimensions ..... 14.0 in. x 12.5 in. x 8.0 in.  
 Cube ..... 0.80 cu ft

\*NOTE: See DOD Consolidated Ammunition Catalog for additional information including NSNs.

**Shipping and Storage Data:**

Hazard class/division and storage compatibility group ..... 1.3G  
 UNO serial number ..... 0010  
 UNO proper shipping name ..... Ammunition, incendiary  
 DOT class ..... Class B explosive

DOT marking ..... SPECIAL FIREWORKS - HANDLE CAREFULLY - KEEP FIRE AWAY

**Functioning:**

Removal of the safety pin permits release of the safety lever. When the safety lever is released, it is forced away from the grenade body by a striker acting under the force of a striker spring. The striker rotates on its own axis and strikes the percussion primer. The primer initiates the first fire mixture. The fuze delay element, ignition mixture, and grenade starter mixture and filler are initiated in turn by the preceding component.

**References:**

TM 9-1330-200  
 TM 9-1330-200-12  
 TM 9-1330-200-34  
 FM 23-30  
 DOD Consolidated Ammo Catalog

**Drawings:**

Assembly ..... 13-17-3  
 Fuze ..... 13-10-22  
 Packing (inner) ..... 13-9-98  
 Packing (outer) ..... 13-17-30

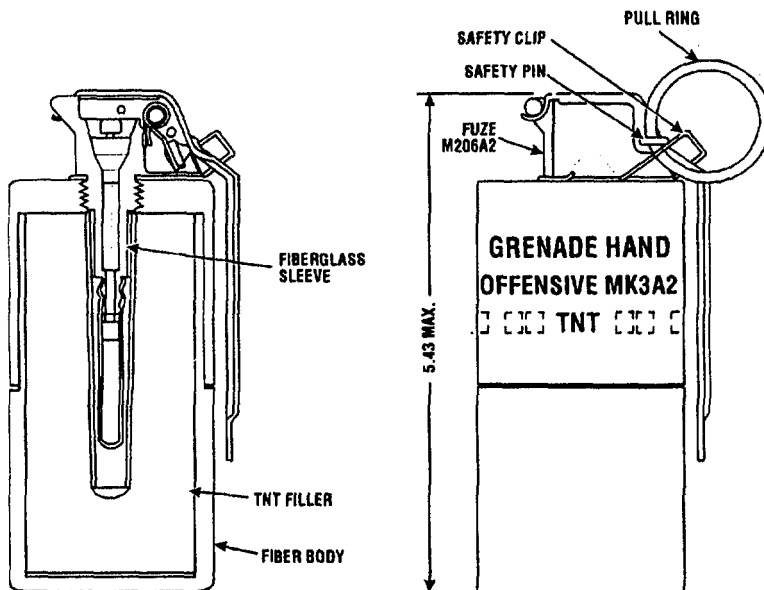
CHAPTER 2  
HAND GRENADES

---

Section IV. OFFENSIVE

THIS PAGE INTENTIONALLY LEFT BLANK

**GRENADE, HAND: OFFENSIVE, MK3A2**



U  
AR 101015

**Type Classification:**

Obs. MSR 11756003

**Use:**

An offensive hand grenade similar to hand grenade used for blast effect or demolition purposes.

**Description:**

Hand grenade MK32A2 is about the same size as the fragmentation hand grenade, but has a cylindrical body made of pressed fiber.

The shape of the fuze safety lever is slightly different from that of a fragmentation grenade and conforms to the shape of the body of the grenade. The MK3A2 may be issued fuzed with or without safety clips, or unfuzed. The grenade body is a cylinder made of pressed fiber and contains high explosive TNT.

Hand grenade fuzes M206A1 or M206A2 are pyrotechnic delay detonating fuzes. They differ only in body construction. The body contains a primer and a pyrotechnic delay column. Assembled to the body are a striker, spring, safety lever, safety pin with pull ring, and a detonator assembly. The split end of the safety pin has an angular spread or diamond crimp.

**NOTE**

**This grenade is furnished with or without a safety clip.**

The hand grenade safety clip is designed to keep the safety lever in place, should the safety pin be unintentionally removed from the grenade. It is an additional safety device used in conjunction with the safety pin.

Safety clips, of spring steel wire, consist of a loop, which fits around the threaded section of the fuze, and a clamp, which fits over the safety lever. Because the loop fits around the threaded section of the fuze, the clip must be assembled to the grenade when the fuze is assembled to the grenade.

**Tabulated Data:**

Grenade (with fuze):	
Model(s) .....	MK3A2
Body .....	Asphalt-impregnated fiber
Weight .....	15.6 oz
Length (max) .....	5.275 in.
Color .....	Black w/yellow markings
Explosive Filler:	
Type .....	TNT (flaked)
Weight .....	8 oz

Fuze:

Model..... M206A2  
 Type ..... Pyrotechnic delay-  
 detonating  
 Primer ..... M42  
 Detonator ..... Lead azide, lead  
 styphnate, and  
 RDX  
 Delay time ..... 4-5 seconds  
 Weight ..... 2.6 oz  
 Length ..... 4.3 in.  
 Color ..... Olive drab w/black  
 markings  
 \*Safety device(s) ..... Pull ring and safety  
 pin (fuzed gre-  
 nades). Pull ring  
 and safety pin and  
 safety clip (fuzed  
 grenades).

\*NOTE: Unfuzed grenades have no safety devices.

**Federal Supply Code:**

Grenade Assembly:  
 NSN ..... 1330-00-143-6807  
 DODAC ..... 1330-G911

See DOD Consolidated Ammunition Catalog for additional information.

**Unit of Issue:**

Each packed ..... 1 per carton; 20  
 cartons per wooden  
 box.

Fuze Packing Data:  
 Packed ..... 25 per cartons; 8  
 cartons per wooden  
 box.

Packing box:  
 Weight (w/contents) ..... 65.8 lb  
 Dimensions ..... 17-5/8 in. x 13-1/4  
 in. x 8-1/2 in.  
 Cube 2.74 cu ft

**Grenade Packing Data:**

Packing box:  
 Weight (w/contents) ..... 45.1 lb  
 Dimensions ..... 17-5/8 in. x 13-1/4  
 in. x 8-1/2 in.  
 Cube ..... 1.06 cu ft

**Shipping and Storage Data:**

Hazard class/division and  
 storage compatibility  
 group ..... 1.1F  
 UNO serial number ..... 0292  
 UNO proper shipping  
 name ..... Grenades  
 DOT class ..... Class A explosive  
 DOT marking ..... HAND  
 GRENADES

**Functioning:**

Release of the safety clip and removal of the safety pin permit release of the safety lever. When the safety lever is released, it is forced away from the grenade body by a striker acting under the force of a striker spring. The striker rotates on its axis and strikes the percussion primer. The primer emits a small, intense spit of flame, igniting the delay element. The delay element burns 4 to 5 seconds, then sets off the detonator. The detonator explodes, thus initiating the explosive charge. When the filler detonates the force of the explosion is dissipated mainly in the form of shock waves rather than high velocity.

**NOTE**

**When provided without a safety clip, the functioning is the same as above except for release of the safety clip.**

**References:**

TM 9-1330-200  
 TM 9-1330-200-12  
 TM 9-1330-200-34  
 FM-23  
 DOD Consolidated Ammo Catalog

**Drawings:**

Assembly drawing ..... 9215459  
 Fuze M206A2..... 7548570  
 Packing:  
 Inner ..... 9215731  
 Outer ..... 9215732



**CHAPTER 2**  
**HAND GRENADES**

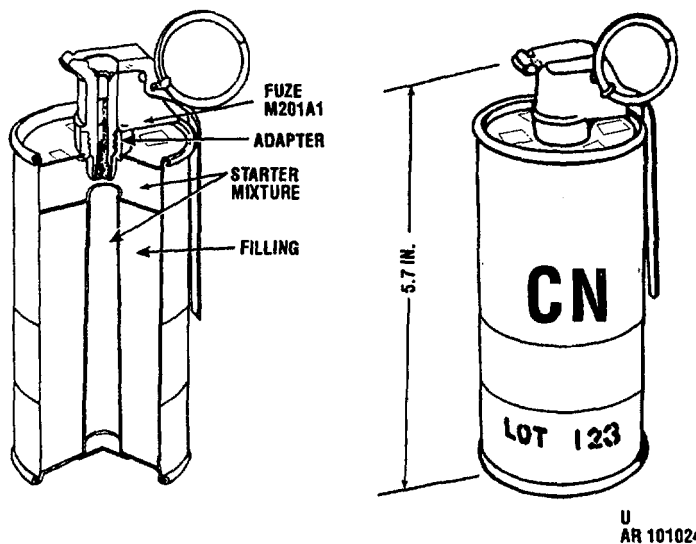
---

**Section V. RIOT CONTROL**

**2-41**

THIS PAGE INTENTIONALLY LEFT BLANK

**GRENADE, HAND: RIOT, CN, M7 AND M7A1**



**Type Classification:**

Obs. MSR 08746046 (M7)  
 Obs. MSR 08746046 (M7A1)

**Use:**

The M7 and M7A1 are used to control counterinsurgencies and for other tactical missions. They also may be used to simulate casualty agents during training.

**Description:**

Grenade M7 and Grenade M7A1 are burning type riot control agent grenades. CN has a powerful lachrymal effect and is irritating to the upper respiratory passages. In higher concentrations it is irritating to the skin, causing a burning and itching sensation. The onset of incapacitation is 15 to 30 seconds and duration from 5 to 20 minutes depending upon dosage concentration.

The grenade bodies of these grenades are of thin sheet metal and are cylindrical in shape. The filling is compressed into the grenade body, a tapered hole being formed through the body of the filling. The top surface of the filling and the tapered walls of the hole are coated with starter mixture (to aid ignition of the fuel by the fuze).

Hand grenade fuze M201A1 is a pyrotechnic delay-igniting fuze. The body contains a primer, first-fire mixture, pyrotechnic delay column and igniter mixture. Assembled to the body are a striker, striker spring, safety lever and safety pin with pull ring. The split end of the safety pin has an angular spread.

Safety clips are not required with these grenades.

**Difference Between Models:**

The M7 and M7A1 have different filler weights, location and number of emission holes.

M7 18 holes in side.  
 M7A1 - 4 holes in top. 1 hole in bottom.

**Tabulated Data:**

Grenade (with fuze):	
Model(s) .....	M7, M7A1
Body .....	Sheet metal
Weight (M7) .....	17 oz; (M7A1) 18-1/2 oz
Length .....	5.7 in.
Diameter .....	2.5 in.
Color .....	Gray w/1 red band and red markings
Packing .....	1 per container; 16 per packing box
Filler:	
Type .....	CN - Pyrotechnic composition
Weight .....	(M7) 10-1/4 oz; (M7A1) 12-1/2 oz
Fuze:	
Model(s) .....	M201A1
Type .....	Pyrotechnic delay igniting
Primer .....	M39A1

Ignition mixture ..... Iron oxide, titanium, zirconium  
 Delay time ..... 0.7-2 seconds  
 Weight ..... 1.5 oz  
 Length ..... 3.9 in.  
 Color ..... Gray or olive drab w/black markings  
 Packing ..... Not issued separately  
 Safety device ..... Pull ring and safety pin

UNO proper shipping name ..... Ammunition, tear producing  
 DOT class ..... Irritating material  
 DOT marking ..... GRENADE, TEAR GAS

**Federal Supply Code:**

NSN ..... 1330-00-219-8577  
 DODAC ..... 1330-G960

See DOD Consolidated Ammunition Catalog for additional information.

**Unit of Issue:**

Each grenade packed ..... 1 per container; 16 per packing box.

**Packing Data:**

Packing box:  
 Weight (with contents) ..... 35.0 lb  
 Dimensions ..... 14 in. x 12.5 in. x 8.0 in.  
 Cube ..... 0.80 cu ft

**Shipping and Storage Data:**

Hazard class/division and storage compatibility group ..... 1.4 G  
 UNO serial number ..... 0301

**Functioning:**

Removal of the safety pin permits release of the safety lever. When the safety lever is released, it is forced away from the grenade body by a striker acting under the force of a striker spring. The striker rotates on its own axis and strikes the percussion primer. The fuze delay element, ignition mixture, and grenade starter mixture and filler are initiated in turn by the preceding component. The pressure sensitive tape is blown off the emission holes and the CN agent is emitted for 15 to 30 seconds.

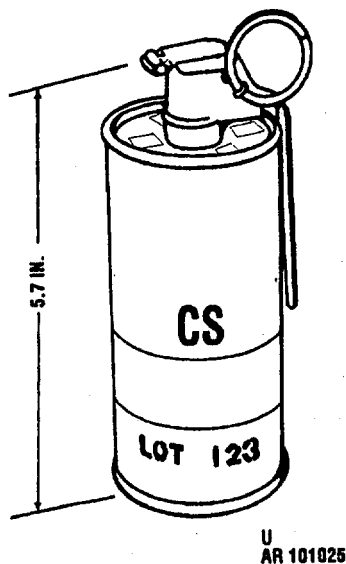
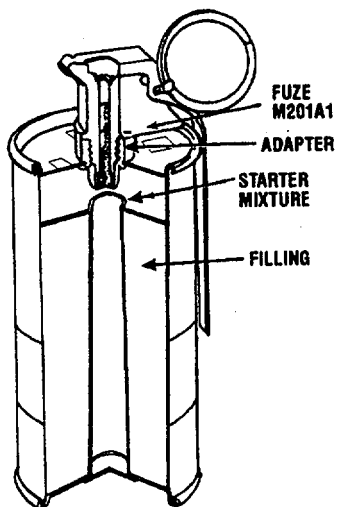
**References:**

TM 9-1330-200  
 TM 9-1330-200-12  
 TM 9-1330-200-34  
 FM 23-30  
 DOD Consolidated Ammunition Catalog

**Drawings:**

Assembly .....	M7	13-21-3
	M7A1	13-21-7
Fuze.....		13-10-22
Packing (inner).....	M7	13-9-102
	M7A1	13-9-44
Packing (outer).....	M7	13-9-89
	M7A1	13-9-96

**GRENADE, HAND: RIOT, CS, M73A**



**Type Classification:**

Std. LCC-A MSR 08746046

**Use:**

The M7A3 grenade is used to control counterinsurgencies and for other tactical missions. It is a burning type riot control grenade and may be used to simulate casualty agents during training.

**Description:**

The M7A3 is a CS filled burning type grenade. CS has a powerful lachrymal effect and is irritating to the upper respiratory passages causing coughing, difficulty in breathing and chest tightness. Heavy concentrations will cause nausea and vomiting as well. The onset of incapacitation and vomiting as well. The onset of incapacitation is 15 to 30 seconds and duration is less than 10 minutes after personnel are removed to fresh air.

The grenade body is a cylinder of thin sheet metal. The filler is compressed into the grenade body with a starter mix.

Hand grenade fuze M201A1 is a pyrotechnic delay-igniting fuze. The body contains a primer, first-fire mixture pyrotechnic delay column and ignition mixture. Assembled to the body are a striker, striker spring, safety lever and safety pin with pull ring. The split end of the safety pin has an angular spread.

Safety clips are not required with these grenades.

**Tabulated Data:**

<b>Grenade (with fuze):</b>	
Model(s) .....	M7A3
Body .....	Sheet metal
Weight .....	15-1/2 oz
Length (max) .....	5.7 in.
Diameter .....	2.5 in.
Color .....	Gray w/l red band; red markings
Packing .....	1 per container; 16 per packing box
<b>Filler:</b>	
Type .....	CS
Weight .....	7.35 oz burning mixture and 4.5 oz pelletized CS agent
<b>Fuze:</b>	
Model(s) .....	M201A1
Type .....	Pyrotechnic delay- igniting
Primer .....	M39A1
Ignition mixture .....	Iron oxide, tita- nium, zirconium
Delay time .....	0.7 - 2 seconds
Weight .....	1.5 oz
Length .....	3.9 in.
Color .....	Gray or olive drab, w/black markings
Packing .....	Not issued sepa- rately
Safety device .....	Pull ring and safety pin

**Federal Supply Code:**

NSN ..... 1330-00-965-0802  
 DODAC ..... 1330-G963

See DOD Consolidated Ammunition Catalog for additional information.

**Unit of Issue:**

Each grenade packed..... 1 per fiber container; 15 per wooden box

**Packing Data:**

Packing box:  
 Weight (with contents) ..... 30.0 lb  
 Dimensions..... 14.0 in. x 14.0 in. x 8.0 in.  
 Cube ..... 0.90 cu ft

**Shipping and Storage Data:**

Hazard class/division and storage compatibility group ..... 1.4G  
 UNO serial number ..... 0301  
 UNO proper shipping name ..... Ammunition, tear producing  
 DOT class ..... Irritating material

DOT marking ..... GRENADE, TEAR GAS

**Functioning:**

Removal of the safety pin permits release of the safety lever. When the safety lever is released, it is forced away from the grenade body by a striker acting under the force of a striker spring. The striker rotates on its own axis and strikes the percussion primer. The primer initiates the first-fire mixture. The fuze delay element, ignition mixture, and grenades starter mixture and filler are initiated in turn by the preceding components. The pressure sensitive tape is blown off the emission holes and CS agent is emitted for 15 to 35 seconds.

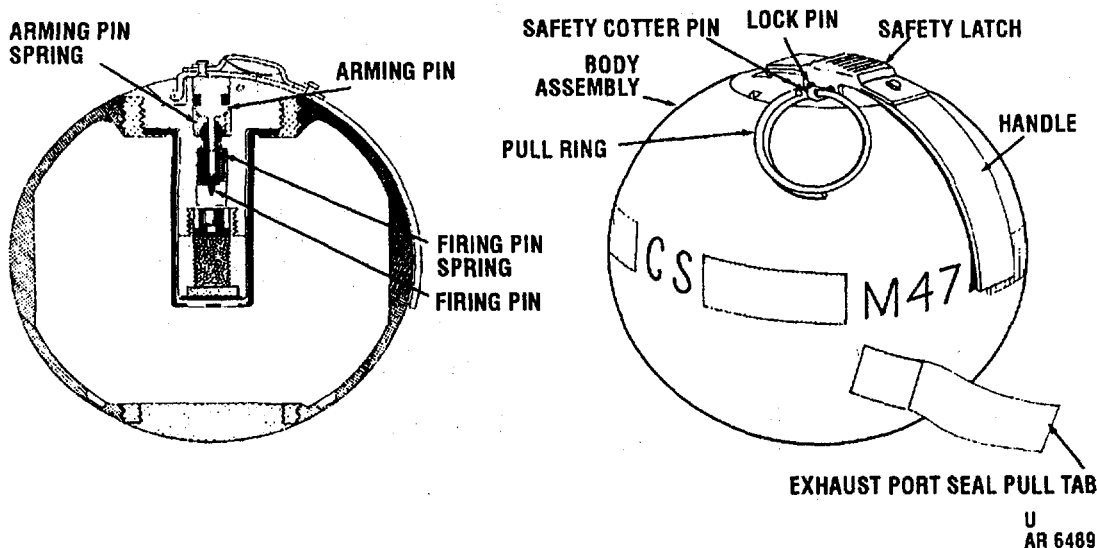
**References:**

TM 9-1330-200  
 TM 9-1330-200-12  
 TM 9-1330-200-34  
 FM 23-30  
 DOD Consolidated Ammo Catalog

**Drawings:**

Assembly ..... 13-22-35  
 Fuze ..... 13-10-22  
 Packing (inner) ..... 13-9-44  
 Packing (outer) ..... 13-22-46

GRENADE, HAND: RIOT, CS, M47



**Type Classification:**

Std. LCC-A, MSR 08746046

**Use:**

The M47 grenade is a special-purpose, burning-type munition used for control of riots and counterinsurgencies. This grenade is a nonlethal, incapacitating-type munition that contains nonpersistent CS agent.

**Description:**

The M47 grenade consists of rubber body assembly, an M227 fuze, and a filling of CS pyrotechnic mixture. The grenade weighs 410 grams (approximately 1 lb), and is 3-1/2 inches in diameter. The grey grenade body is made of two rubber hemispheres vulcanized together. The top half of the grenade contains the fuze, and the bottom half contains the filling hole and the exhaust port. The grenade is filled with approximately 185 grams of CS pyrotechnic granulated mix.

**Tabulated Data:**

Grenade (with fuze):

Model .....	M47
Body .....	Spherical rubber casting
Weight .....	410 grams
Diameter .....	3.5 in.
Color .....	Gray w/red band and red markings

Packing .....	20 per box
Filler:	
Type .....	CS pyrotechnic mix
Weight .....	Approximately 155 grams
Burning time .....	5 - 25 seconds
Fuze:	
Model .....	M227
Type .....	Pyrotechnic time delay-detonating
Primer .....	0.11 gram of lead styphnate, anti-mony sulfide, tetra-cene and barium nitrate
Starter mixture .....	0.35 gram of silicon, red lead, and titanium in a nitro-cellulose acetone binder
Delay charge .....	1.6 grams of silicon, red lead, and dialomaceous earth in a nitrocellulose acetone binder
Ignition mix .....	0.3 gram of iron oxide, titanium, and zirconium in a nitrocellulose acetone binder
Delay time .....	2.5 - 3.5 seconds
Weight .....	N/A
Length .....	N/A
Color (safety lever) .....	N/A
Safety device .....	Safety pin and safety latch

**Federal Supply Code:**

NSN ..... 1330-00-143-7146  
 DODAC ..... 1330-G922

See DOD Consolidated Ammunition Catalog for additional information.

**Unit of Issue:**

Each grenade packed ..... 20 per box

**Packing Data:**

Packing box:  
 Box of 20 ..... Pallet (33 boxes)  
 Length ..... 50 in.  
 Width ..... 48 in.  
 Depth ..... 52 in.  
 Weight ..... 1200 lb

**Shipping and Storage Data:**

Hazard class/division and storage compatibility group ..... 1.4G  
 UNO serial number ..... 0301  
 UNO proper shipping name ..... Ammunition, tear producing  
 DOT class ..... Irritating material  
 DOT marking ..... GRENADE, TEAR GAS

**Functioning:**

First the tape over the emission port will be removed. The safety pin will be pulled and then the safety latch is slid into the armed position. The arming handle is then free to separate from the grenade body. The firing pin initiates a primer which in turn initiates the delay charge which lights the ignition mix. The builtup pressure forces the CS mixtures through the emission port dispersing the agent.

**References:**

TM 9-1330-200  
 TM 9-1330-200-12  
 TM 9-1330-200-34  
 FM 23-30  
 DOD Consolidated Ammo Catalog

**Drawings:**

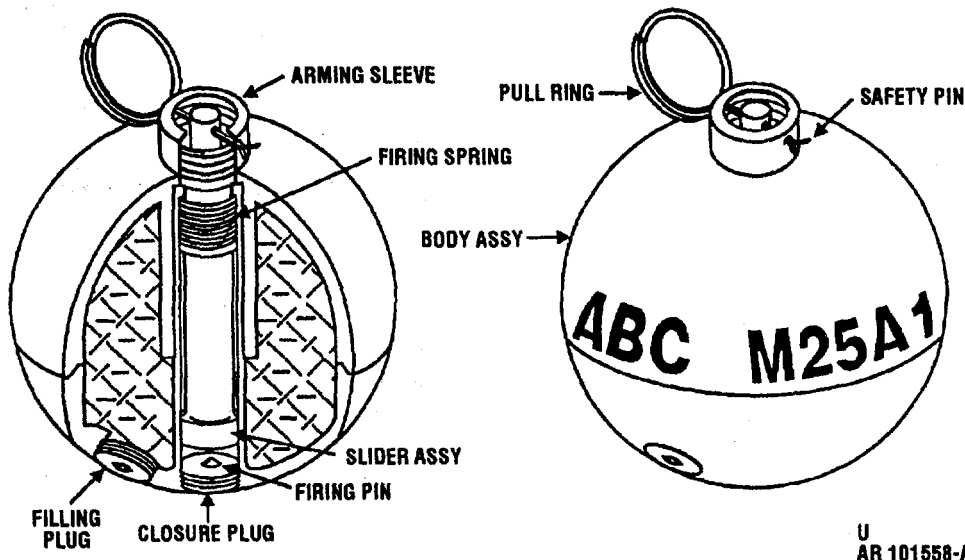
Assembly ..... D13-25-70  
 Fuze ..... D13-10-40  
 Packing ..... D13-25-75

**Remarks:**

The M48 red smoke grenade is used as the training aid for the M47 grenade.



**GRENADE, HAND: RIOT, CN1, ABC-M25A1**



**Type Classification:**

Obs. MSR 08746046

**Use:**

The CN1 Hand Grenade Riot ABC-M25A1 is a bursting type grenade used for riot control and to simulate casualty agents during training.

**Description:**

The grenade body is spherical. It is made of two plastic hemispheres cemented together. The two pieces together form a burster well and slider housing.

The fuze is a pyrotechnic delay-detonating type integral with the grenade body. The fuzing components consist of an arming sleeve, firing spring, slider assembly, and firing pin. The slider assembly contains a primer, pyrotechnic delay column, and a detonator. The grenade is assembled with a safety pin and pull ring.

Safety clips are not required with these grenades.

**Tabulated Data:**

Grenade (with fuze):	
Model .....	ABC-M25A1
Body .....	Plastic hemispheres (2)
Weight .....	7.5 oz

Length (max) .....	3.4 in.
Diameter .....	2.93 in.
Color .....	Gray w/red band and red markings

**Filler:**

Type .....	CN1
Weight .....	3.2 oz

**Fuze:**

Model(s) .....	Integral
Type .....	Pyrotechnic delay-detonating
Primer .....	2926a (Olin)
Detonator	Lead azide, lead

styphnate and tetryl

Delay time .....	1.4 - 3 seconds
Weight .....	N/A
Length .....	N/A
Color .....	(safety lever)- N/A

Packing N/A  
Safety device ..... Pull ring and safety pin

**Federal Supply Code:**

NSN 8140-00-345-9022  
DODAC 1330-G927

See DOD Consolidated Ammunition Catalog for additional information.

**Unit of Issue:**

Each grenade packed ..... 1 per container; 50 per packing box

**Packing Data:**

Packing box:  
 Weight (w/contents) ..... 50.0 lb  
 Dimensions ..... 20-7/8 in. x 18-7/8  
 in. x 8-3/4 in.  
 Cube ..... 1.80 cu ft

**Shipping and Storage Data:**

Hazard class/division and  
 storage compatibility  
 group ..... 1.4G  
 UNO serial number ..... 0301  
 UNO proper shipping  
 name ..... Ammunition, tear  
 producing  
 DOT class ..... Irritating material  
 DOT marking ..... GRENADE, TEAR  
 GAS

**Functioning:**

The safety pin locks the arming sleeve to the grenade body through the slider assembly. It also retains the arming pin in a horizontal position. When the safety pin is removed, the arming sleeve is free to separate from the grenade body. The slider assembly is released and is driven against the firing pin. The firing pin initiates a primer in the end of the slider. The primer initiates the delay column which, in turn, initiates the detonator. The detonator shatters the grenade body, dispersing the agent.

**References:**

TM 9-1330-200  
 TM 9-1330-200-12  
 TM 9-1330-200-34  
 FM 23-30  
 DOD Consolidated Ammo Catalog

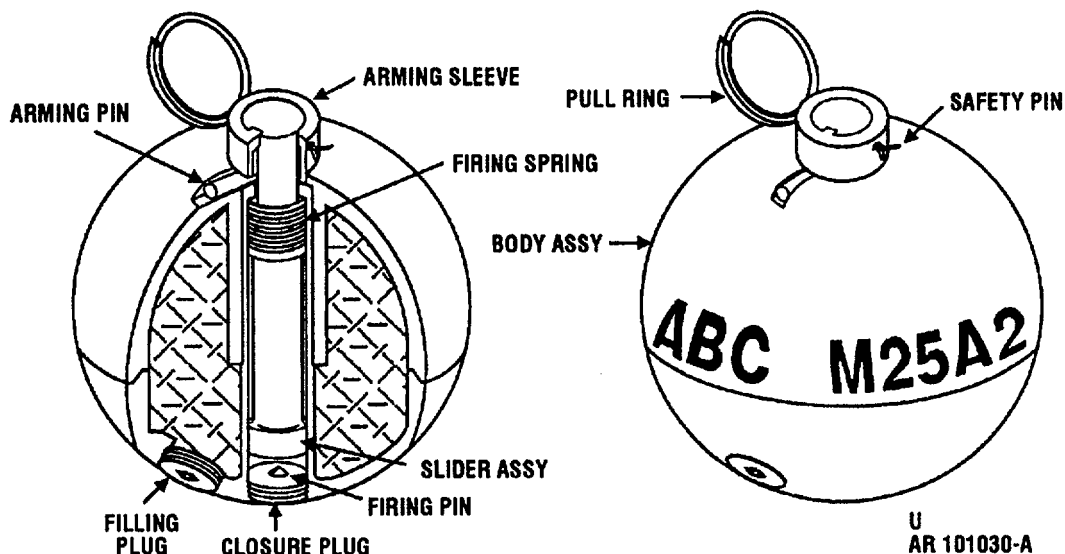
**Drawings:**

Assembly M25A1 ..... 13-25-27  
 Packing (inner) (M25A1) ..... 13-9-103  
 Packing (outer) (M25A1) ..... 13-9-89

**Remarks:**

The CN1 produces a powerful lachrymal effect and is irritating to the upper respiratory passages. In higher concentrations, it is irritating to the skin, causing a burning and itching sensation. The onset of incapacitation is from 15 to 30 seconds and the duration from 5 to 20 minutes depending upon dosage concentration.

**GRENADE, HAND: RIOT, CS1, ABC-M25A2**



**Type Classification:**

Obs. MSR 0874606

**Use:**

Hand grenade riot CS1, ABC-M25A2 is a bursting-type riot control agent grenade and may be used to simulate casualty agents during training.

**Description:**

Hand grenade riot CS1, ABC-M25A2 has a powerful lachrymal effect and is irritating to the upper respiratory passages, causing coughing, difficulty in breathing and chest tightness. Heavy concentrations will cause nausea and vomiting as well. The onset of incapacitation is 15 to 30 seconds and duration from 30 minutes to several hours depending upon the dosage concentration. CS is more persistent and has a more severe reaction than CN.

The grenade body is spherical. It is made of two plastic hemispheres cemented together. The two pieces together form a burster well and slider housing.

The fuze is a pyrotechnic delay-detonating type integral with the grenade body. The fuzing components consist of an arming sleeve, arming pin, firing spring, slider assembly, and firing pin. The slider assembly contains a primer, pyrotechnic delay column, and a detonator. The grenade is assembled with a safety pin and pull ring.

Safety clips are not required with these grenades.

**Tabulated Data:**

**Grenade (with fuze):**

Model(s) .....	ABC-M25A2
Body .....	Plastic hemispheres (2)
Weight .....	8 oz
Length (max) .....	3.4 in.
Diameter .....	2.93 in.
Color .....	Gray w/red band and red markings
Packing .....	1 per can; 50 per packing box

**Filler:**

Type .....	CS-1, CN-1, DM-1 eight (approx) 2 oz
------------	---

**Fuze:**

Model(s) .....	Integral
Type .....	Pyrotechnic delay-detonating
Primer .....	2926a (Olin)
Detonator .....	Lead azide, lead styphanate and tetryl
Delay time .....	1.4 - 3 seconds
Weight .....	N/A
Length .....	N/A
Color (safety lever) .....	N/A
Safety device .....	Pull ring and safety pin

**Federal Supply Code:**

NSN ..... 1330-00-645-6211  
 DODAC ..... 1330-G924

See DOD Consolidated Ammunition Catalog for additional information.

**Unit of Issue:**

Each grenade packed..... 1 per can; 50 per  
 packing box

**Packing Data:**

Packing box:  
 Weight (with contents) ..... 50.0 lb  
 Dimensions ..... 20-7/8 in. x 18-7/8  
 in. x 8-3/4 in.  
 Cube 1.80 cu ft

**Shipping and Storage Data:**

Hazard class/division and  
 storage compatibility  
 group ..... 1.4G  
 UNO serial number ..... 0301  
 UNO proper shipping  
 name ..... Ammunition, tear  
 producing  
 DOT class ..... Irritating material  
 DOT marking ..... GRENADE, TEAR  
 GAS

**Functioning:**

The safety pin locks the arming sleeve to the grenade body through the slider assembly. It also retains the arming pin in a horizontal position. When the safety pin is removed, the arming sleeve is free to separate from the grenade body. The slider assembly is released and is driven against the firing pin. The firing pin initiates a primer in the end of the slider. The primer initiates the delay column which, in turn, initiates the detonator. The detonator shatters the grenade body, dispersing the agent.

**References:**

TM 9-1330-200  
 TM 9-1330-200-12  
 TM 9-1330-200-34  
 FM 23-30  
 DOD Consolidated Ammo Catalog

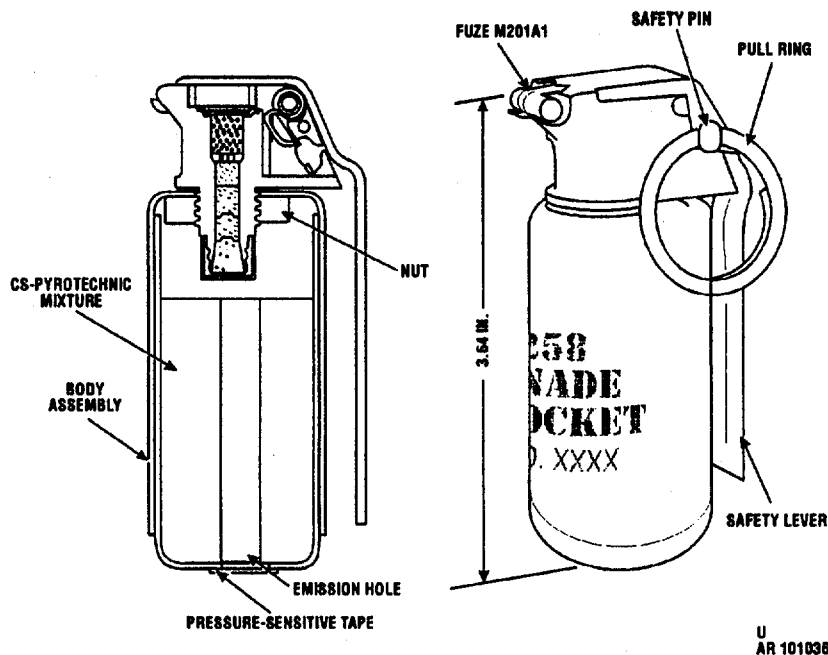
**Drawings:**

Assembly ..... 13-25-55  
 Fuze ..... Integral with gre-  
 nade assembly  
 Packing (inner) ..... 13-9-103 and  
 13-9-90  
 Packing (outer) ..... 13-9-89

**Remarks:**

Grenade CS1, ABC-M25A2 is similar to Grenade CN1, ABC-M25A2.

**GRENADE, HAND: RIOT, POCKET, CS, M58**



**Type Classification:**

Obs. MSR 08746046

**Use:**

CS pocket riot hand grenade M58 is burning type riot control agent grenade and may be used to simulate casualty agents during training.

**Description:**

The body is a thin-walled, two piece aluminum cylinder. It contains a CS-pyrotechnic composition. There is a hole in the base of the body which is used for agent emission after functioning.

Hand grenade M201A1E1 fuze is similar to the fuze, M201A1. Hand grenade fuze M201A1 is a pyrotechnic delay-igniting fuze. The body contains a primer, fire mixture, pyrotechnic delay column and ignition mixture. Assembled to the body are a striker, striker spring, safety lever and safety pin with pull ring. The split end of the safety pin has an angular spread.

Safety clips are not required with these grenades.

**Tabulated Data:**

**Grenade (with fuze):**

Model(s) .....	M58
Body .....	Aluminum
Weight (approx) .....	4 oz
Length (max) .....	3.26 in.
Diameter .....	1.31 in.
Color .....	Gray w/red band and red markings
Packing .....	10 per fiberboard box; 10 per packing box

**Filler:**

Type .....	CS pyrotechnic composition
Weight .....	1.4 oz

**Fuze:**

Model(s) .....	M201A1E1
Type .....	Pyrotechnic delay-igniting
Primer .....	M39A1
Igniter mixture.....	Iron oxide, titanium, and zirconium
Delay time .....	0.7 - 2 seconds
Weight .....	1.5 oz
Length .....	3 in.
Color .....	Olive drab w/black markings
Safety device .....	Pull ring and safety pin

**Federal Supply Code:**

NSN ..... 1330-00-143-7003  
 DODAC ..... 1330-G933

**Unit of Issue:**

Each grenade packed ..... 10 per fiberboard  
 box; 10 per packing  
 box

**Packing Data:**

\*Packing box:

Weight (w/contents) ..... 45.0 lb  
 Dimensions ..... 26.15 in. x 12.75 in.  
 Cube ..... 2.4 cu ft

\*NOTE: See DOD Consolidated Ammunition Catalog for complete packing data including NSNs.

**Shipping and Storage Data:**

Hazard class/division and  
 storage compatibility  
 group ..... 1.4G  
 UNO serial number ..... 0301  
 UNO proper shipping  
 name ..... Ammunition, tear  
 producing  
 DOT class ..... Irritating material  
 DOT marking ..... GRENADE, TEAR  
 GAS

**Functioning:**

Removal of the safety pin permits release of the safety lever. When the safety lever is released, it is forced away from the grenade body by a striker acting under the force of a striker spring. The striker rotates on its own axis and strikes the percussion primer. The primer initiates the first-fire mixture. The fire train, fuze delay element, ignition mixture, grenade starter mixture and filler are initiated in turn by the preceding component. The pressure sensitive tape is blown off the emission holes and CS agent is emitted for 8 to 28 seconds.

**References:**

TM 9-1330-200  
 TM 9-1330-200-12  
 TM 9-1330-200-34  
 FM 23-30

**Drawings:**

Assembly ..... 13-21-16  
 Fuze ..... 13-21-23  
 Packing (inner) ..... 13-9-44  
 Packing (outer)..... 13-9-96

**Remarks:**

CS has a powerful lachrymal effect and is irritating to the upper respiratory passages, causing coughing, difficulty in breathing and chest tightness. Heavy concentrations will cause nausea and vomiting as well. The onset of incapacitation is 15 to 30 seconds and duration is less than 10 minutes after personnel is removed to fresh air. CS is more persistent and has a more severe reaction than CN.

**CHAPTER 2**  
**HAND GRENADES**

---

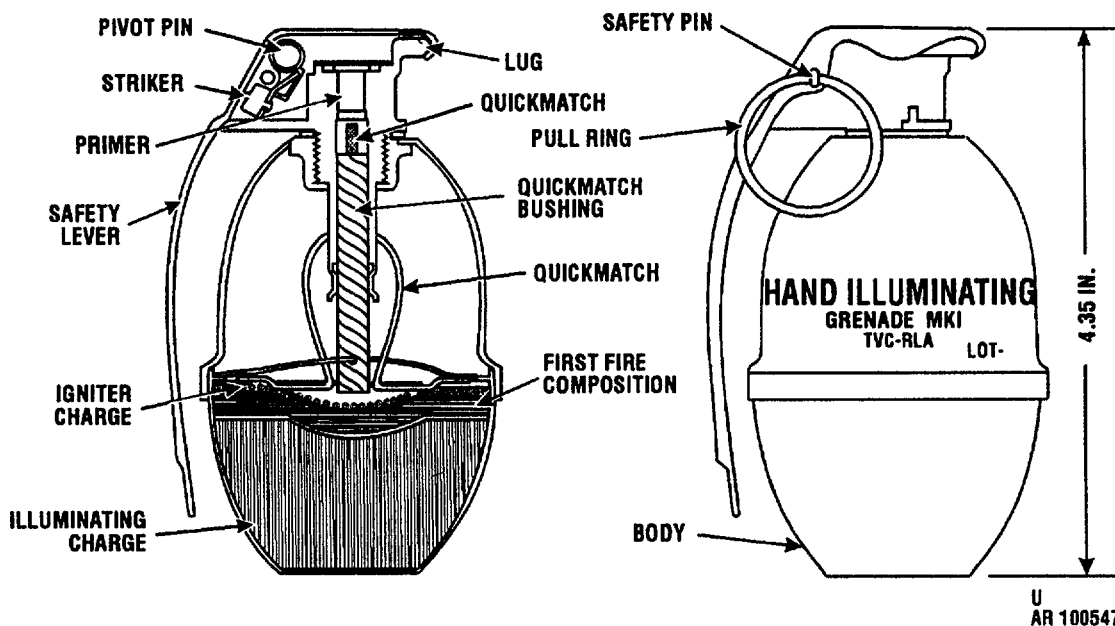
**Section VI. ILLUMINATING**

**2-55**

THIS PAGE INTENTIONALLY LEFT BLANK



GRENADe, HAND: ILLUMINATING, MK1



**Type Classification:**

Obs.

**Use:**

Illuminating hand grenades are used primarily for illumination and signaling. Because of high temperature generated by the pyrotechnic illuminating composition, these grenades may be used for incendiary purposes against flammable targets.

**Description:**

In outward appearance, the illuminating hand grenade MK1 resembles fragmentation hand grenades of the M26 series. The grenade body is made in two pieces. The illuminating charge is pressed into the lower half of the body and covered with a lever of first-fire composition. This, in turn, is covered with an igniter charge.

The fuze is an integral part of the grenade. The body contains a primer and quick-match bushing. Assembled to the body of the fuze are a striker, striker spring, safety lever, and safety pin with pull ring. The split end of the safety pin has an angular spread.

The safety clips are not required with illuminating hand grenades.

**Tabulated Data:**

Grenade (with fuze):	
Model(s) .....	MK1
Body .....	Thin-sheet steel
Weight .....	10 oz
Length (max) .....	4.35 in.
Diameter .....	2.19 in.
Color .....	All white or unpainted w/white band w/black markings
Packing .....	1 per fiber container; 25 containers per wooden box
Filler:	
Type .....	Pyrotechnic composition
Weight .....	3.5 oz
Fuze:	
Model(s) .....	Integral
Type .....	Pyrotechnic delay-igniting
Primer .....	Percussion
Igniter charge.....	Quickmatch
Delay time .....	7 seconds
Weight .....	N/A
Length .....	N/A
Color, safety lever.....	White or olive drab w/black markings
Packing .....	N/A
Safety device .....	Pull ring and safety pin

**Federal Supply Code:**

NSN ..... 1330-00-309-5013  
 DODAC ..... 1330-G895

See DOD Consolidated Ammunition Catalog for additional information.

**Unit of Issue:**

Each grenade packed..... 1 per fiber container; 25 containers per wooden box

**Packing Data:**

Packing box:  
 Weight (w/contents)- 51.0 lb  
 Dimensions 1 ..... 9-3/4 in. x 11-9/16 in. x 12-1/32 in.  
 Cube ..... 1.45 cu ft

**Shipping and Storage Data:**

Hazard class/division and storage compatibility group ..... 1.3G  
 UNO serial number ..... 0245  
 UNO proper shipping name ..... Ammunition, smoke, white phosphorus  
 DOT class ..... Class B explosive  
 DOT marking ..... SPECIAL FIREWORKS, HANDLE CAREFULLY - KEEP FIRE AWAY

**Functioning:**

Removal of the safety pin permits release of the safety lever. When the safety lever is released, it is forced away from the grenade body by a striker acting under the force of a striker spring. The striker rotates on its axis and strikes the percussion primer. The primer initiates the quick-match, which burns for seven seconds, and then ignites the igniter charge. The igniter charge ignites the first-fire composition which, in turn, ignites the illuminating charge. Gas pressure produced by burning of the illuminating composition causes the upper half of the grenade body to separate from the lower half. This exposes the burning illuminating charge. The grenade will burn for 25 seconds with approximately 55,000 candlepower and will illuminate an area of 200 meters (656 feet) in diameter.

**References:**

TM 9-1330-200  
 TM 9-1330-200-12  
 TM 9-1330-200-34  
 FM 23-30  
 DOD Consolidated Ammo Catalog

**Drawings:**

Assembly ..... 344573  
 Fuze ..... 344577

**CHAPTER 3**  
**RIFLE GRENADES**

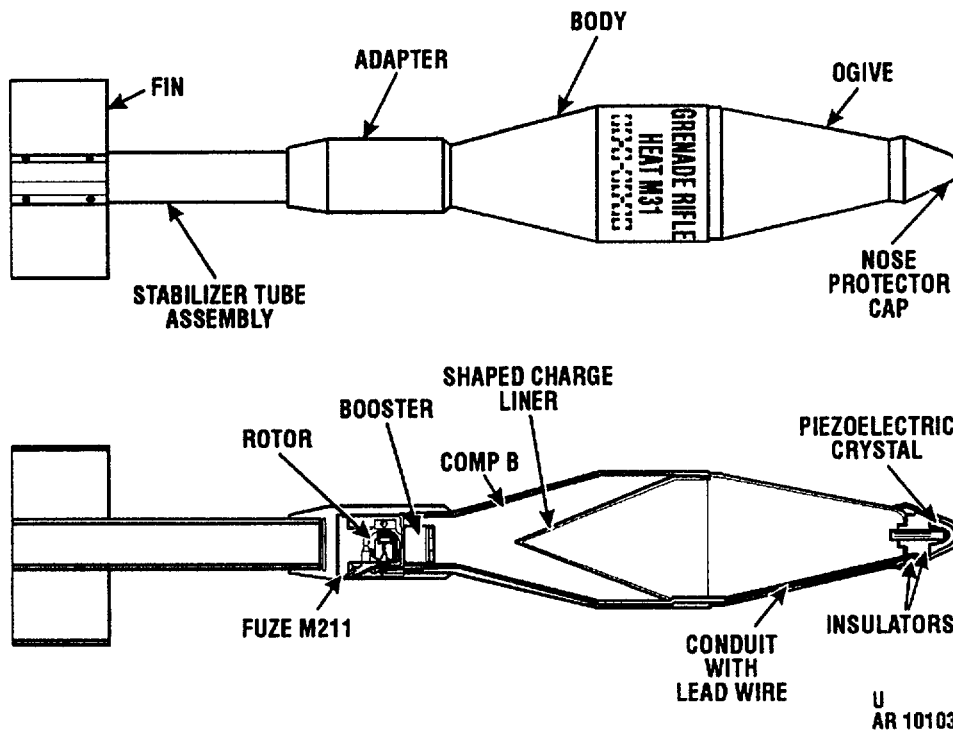
---

**Section I. HEAT**

**3-1**

**THIS PAGE INTENTIONALLY LEFT BLANK**

GRENADE, RIFLE: HEAT, M31



**Type Classification:**

Obs. MSR 11756003

**Use:**

To defeat armored targets, against personnel, for screening, signaling or for incendiary effect against flammable targets.

**Description:**

The rifle grenade HEAT, M31 is a point-initiated, base-detonated (PIBD), high-explosive, antitank (HEAT) grenade. It employs a shaped charge to defeat armor plate or concrete, and will function against targets at all angles of obliquity up to 65°. The grenade uses a piezoelectric assembly which generates an electric current when crushed on impact with the target. This action initiates the explosive train. Only rifle grenades M31, which are assembled with modified nose assemblies, are authorized for uses. The modified nose assembly has a positive ground between the piezoelectric crystal and the metal nose protector cap.

Rifle grenade M31 consists of three basic parts: the cylindrical body with conical ogive and conical rear section; the fuze; and the stabilizer. The ogive contains a piezoelectric assembly in the nose. A lead wire (in conduit) connects this assembly to the fuze, in the base of the body. The body contains Comp B molded against a copper shaped charge liner. A booster is contained in the fuze at the base of the body.

Fuze M211 consists of a base, spring-driven detonator rotor and a cover. The detonator rotor contains an electric detonator. The base contains a setback leaf assembly. The cover contains a booster pellet. The aluminum stabilizer consists of a stabilizer tube, with an adapter at its forward end (for connection to the body), and a fin assembly at the other end. When assembled, the fuze is held within the adapter.

**Tabulated Data:**

Model .....	M31
Type .....	HEAT
Weight (as issued) .....	1.56 lb
Explosive charge	
(Comp B) .....	9.92 oz
Dimensions:	
Diameter .....	2.61 in.
Height .....	16.96 in.

Body ..... Steel  
 Fuze ..... M211  
 Type ..... PIBD  
 Color ..... Olive drab w/yellow markings

**Federal Supply Code:**

NSN ..... 1330-00-541-9848  
 DODAC ..... 1330-G970

See DOD Consolidated Ammunition Catalog for additional information.

**Unit of Issue:**

Each packed ..... 1 per container; 10 containers per box with 20 Ctgs rifle grenade CAL. 30 M3

**Packing Data:**

Packing box:  
 Weight 69.5 lb  
 Dimensions ..... 18.5 in. x 8.375 in. x 20.875 in.  
 Cube ..... 2.9 cu ft

**Shipping and Storage Data:**

Hazard class/division and storage compatibility group ..... 1.1D  
 UNO serial number ..... 0284  
 UNO proper shipping name ..... Grenades  
 DOT class ..... Class A explosive  
 DOT marking ..... RIFLE GRENADE

**Functioning:**

An inertia-actuated setback leaf assembly prevents alinement of the detonator with the booster in the fuze until the rifle grenade is launched. Prior to arming, the detonating circuit within the fuze is grounded. Thus, current cannot pass through the detonating circuit, and current from an accidentally crushed or stressed crystal is short circuited to the body of the grenade. The detonating switch is contained within a small rotor which

is locked into the short-circuit position by a set-back leaf assembly. When the grenade is launched, the set-back leaf assembly releases the rotor. The rotor turns 90°, opening the shorting switch and closing the firing switch. Upon launching, the grenade functions as follows:

Inertia setback causes the first of the three setback leaves in the setback leaf assembly to overcome the tension of its spring. This releases the second leaf.

The second leaf rotates, releasing the third leaf.

The third leaf rotates, releasing a rotor assembly containing the firing circuit.

The rotor assembly turns 90° to close the firing circuit, thus arming the grenade.

Upon impact with the target, the crystal is crushed and generates an electrical impulse.

The electrical impulse is conducted through a lead wire in the conduit to the electric fuze.

The electrical impulse passes through a resistance wire in the detonator, initiating the explosive train.

The detonator detonates the booster and, in turn, the shaped charge.

The principal explosive force of the shaped charge is directed forward to penetrate the target.

**References:**

TM 9-1330-200  
 TM 9-1330-200-12  
 TM 9-1330-200-34  
 FM 23-30  
 DOD Consolidated Ammo Catalog

**Drawings:**

Assembly ..... 82-0-195  
 Fuze ..... 82-2-54  
 Packing (inner) ..... 7548996  
 Packing (outer) ..... 7548997

**CHAPTER 3**  
**RIFLE GRENADES**

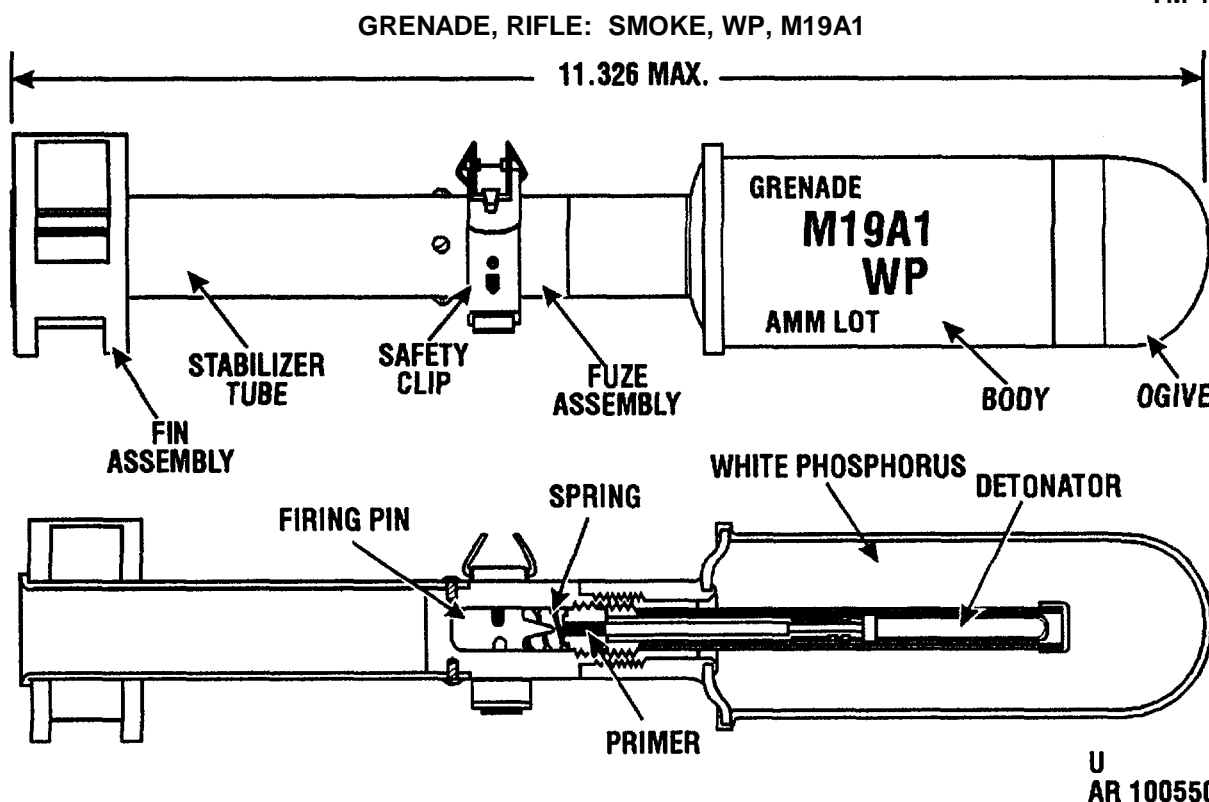
---

**Section II. SMOKE**

**3-5**

**THIS PAGE INTENTIONALLY LEFT BLANK**





**Type Classification:**

Obs. MSR 11756003

**Use:**

For screening, signaling, or for incendiary effect against flammable targets.

**Description:**

WP smoke rifle grenade M19A1 is filled with WP. This chemical agent ignites spontaneously when exposed to air, producing a yellow-white flame and firing off a dense cloud of white smoke. When used as an antipersonnel weapon, grenade M19A1 has an effective casualty radius of 10 meters. Grenade M19A1 has a maximum range of approximately 195 meters.

WP smoke rifle grenade M19A1 consists of three basic parts: a steel stabilizer tube assembly, an integral fuze and a body.

**Tabulated Data:**

Model ..... M19A1  
Type ..... Smoke (WP)

Weight ..... 1.5 lb  
Dimensions:  
Diameter ..... 2.0 in.  
Height ..... 11.31 in.  
Charge (WP) ..... 8.5 oz  
Body ..... Sheet steel

Fuze:  
Type ..... Mechanical impact detonating  
Color ..... Light green w/yellow band; red marking  
Packing ..... 1 per container; 10 containers per packing box

**Federal Supply Code:**

NSN ..... 1330-00-542-0715  
DODAC ..... 1330-H030

See DOD Consolidated Ammunition Catalog for additional information.

**Unit of Issue:**

Each grenade packed..... 1 per container; 10  
..... containers per  
..... packing box

**Packing Data:**

Loaded packing box:

Weight .....	40.9 lb
Dimensions.....	19.75 in. x 7.875 in.
	x 16.75 in.
Cube.....	1.51 cu ft

**Shipping and Storage Data:**

Hazard class/division and storage compatibility group .....	(04) 1.2H
UNO serial number .....	0245
UNO proper shipping name .....	Ammunition, smoke, white phosphorus
DOT class.....	Class A explosive
DOT marking .....	RIFLE GRENADE

**Functioning:**

After the grenade is launched, the fuze functions on impact. It bursts the body and scatters particles of burning WP over a large area.

Grenade and fuze functions as follows: The grenade ogive strikes the ground or other resistant object.

Inertia of the firing pin overcomes spring tension and the firing pin strikes the primer.

The primer emits a small, intense spit of flame.

Flame from the primer explodes the detonator.

Explosion of the detonator ruptures the body. Fragments of the body and particles of WP scatter over an area with a radius of approximately 10 meters.

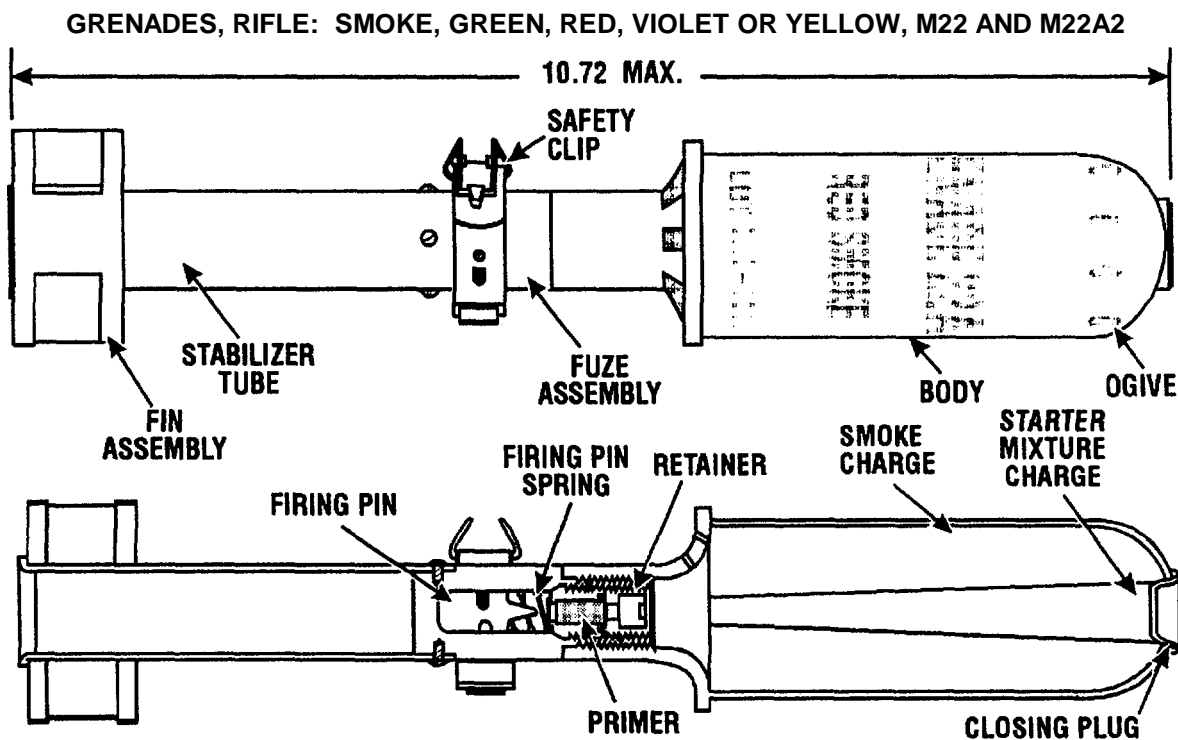
Particles of WP ignite upon coming into contact with air and produce a dense cloud of white smoke.

**References:**

TM 9-1330-200
TM 9-1330-200-12
TM 9-1330-200-34
FM 23-30
DOD Consolidated Ammo Catalog

**Drawings:**

Assembly .....	82-0-109
Fuze (integral with fuze) .....	82-2-42
Packing (inner) .....	9207902
Packing (outer) .....	9207902



J  
AR 100548

**Type Classification:**

Obs. MSR 11756003

**Use:**

For signaling and for laying smoke screens. Produces green, red, violet or yellow smoke.

**Description:**

The M22 and M22A2 consist of three basic parts: a steel stabilizer assembly, an integral fuze and a body. The fuze is a mechanical impact-igniting type. The body is filled with a burning-type smoke charge which contains a dye to color the smoke. The surfaces of the smoke charge within the body are coated with a starter mixture charge to facilitate ignition. A small opening or air hole in the nose of the ogive is covered by a nose closing plug.

**Difference Between Models:**

The M22 and M22A2 grenades differ only in minor features.

**Tabulated Data:**

Model(s).....	M22 or M22A2
Type .....	Smoke (colored)
Weight .....	1.26 lb
Dimensions:	
Diameter .....	1.8 in.
Height .....	10.72 in.
Charge (a mixture of baking soda, potasium perchlorate, sugar and a dye to color the smoke) .....	0.4 lb
Body .....	Sheet steel
Fuze .....	Integral
Type .....	Mechanical impact igniting
Color .....	Light green w/color of smoke produced painted on body union; black marking
Packing.....	1 per container; 10 containers per packing box

**Federal Supply Code:**

NSNs:

Green ..... 1330-00-935-6122  
 Red ..... 1330-00-541-9884  
 Violet ..... 1330-00-618-5779  
 Yellow ..... 1330-00-541-9883

DODACs:

Green ..... 1330-G995  
 Red ..... 1330-H010  
 Violet ..... 1330-H020  
 Yellow ..... 1330-H035

See DOD Consolidated Ammunition Catalog for additional information.

**Unit of Issue:**

Each grenade packed ..... 1 per container, 10  
 containers per  
 packing box.

**Packing Data:**

Loaded packing box:

Weight ..... 31.5 lb  
 Dimensions ..... 19.0 in. x 6.5 in. x  
 14.625 in.  
 Cube ..... 1.05 cu ft

**Shipping and Storage Data:**

Hazard class/division and  
 storage compatibility

group ..... 1.4G

UNO serial number ..... 0303

UNO proper shipping

name ..... Ammunition,  
 smoke

DOT class ..... Class C explosive

DOT marking ..... SMOKE  
 GRENADES,  
 HANDLE  
 CAREFULLY  
 KEEP FIRE AWAY

**Functioning:**

Colored smoke rifle grenades M22 and M22A2 function on impact, emitting a cloud of colored smoke for approximately one minute.

After being fired from a rifle equipped with a grenade launcher, these grenades function as follows: The grenade ogive strikes the ground or other resistant object.

Inertia of the firing pin overcomes spring tension and the firing pin strikes the primer.

The primer emits a small, intense spit of flame.

Flame from the primer ignites the starter mixture charge.

The burning starter mixture charge ignites the smoke charge.

The smoke charge burns for approximately 1 minute, emitting a dense cloud of colored smoke through holes in the base of the body.

**References:**

TM 9-1330-200  
 TM 9-1330-200-12  
 TM 9-1330-200-34  
 FM 23-30  
 DOD Consolidated Ammo Catalog

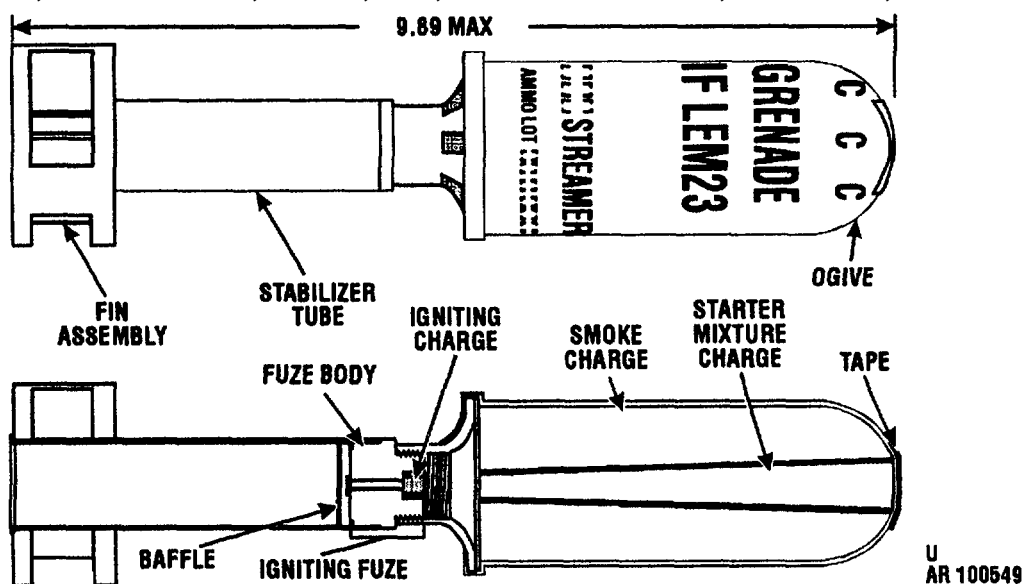
**Drawings:**

Assembly ..... 82-0-117  
 Fuze (integral with body) ..... 82-2-41  
 Packing (inner) ..... 9227347  
 Packing (outer) ..... 9227348

Remarks:

Colored smoke rifle grenades M22 and M22A2 have a range of over 200 meters. Colored smoke rifle grenades M22 and M22A2 are similar to appearance to WP smoke rifle grenade M19A1 but are somewhat smaller.

GRENADES, RIFLE: SMOKE, GREEN, RED, VIOLET OR YELLOW, STREAMER, M23 AND M23A1



**Type Classification:**

Obs. MSR 11756003

**Use:**

These grenades are used only for signaling purposes. They produce green, red, violet or yellow smoke streamers.

**Description:**

The M23 and M23A1 consist of three basic parts: a steel stabilizer tube assembly, a fuze and a body. The body is filled with a burning type smoke charge which contains a dye to color the smoke. The surfaces of the smoke charge within the body are coated with a starter mixture charge (to facilitate ignition).

A small air hole opening in the nose of the ogive is covered by a piece of tape (to protect the filler against moisture). The tape must be removed prior to firing.

**Difference Between Models:**

The M23 and M23A1 differ only in minor features.

**Tabulated Data:**

Model(s) .....	M23, M23A1
Type .....	Colored smoke streamer
Weight .....	1.16 lb

**Dimensions:**

Diameter .....	1.8 in.
Height .....	9.89 in.
Charge (a mixture of baking soda, potassium perchlorate, sugar and a dye to color the smoke).....	0.4 lb
Body .....	Sheet steel
Fuze .....	Integral
Type .....	Igniting
Color .....	Light green w/color of smoke produced painted on body union; black marking
Packing.....	1 per container; 10 containers per packing box

**Federal Supply Code:**

**NSNs:**

Green .....	1330-00-540-9148
Red .....	1330-00-935-6119
Violet .....	1330-00-529-8532
Yellow .....	1330-00-935-6121

**DODACs:**

Green .....	1330-H000
Red .....	1330-H015
Violet .....	1330-H025
Yellow .....	1330-H040

See DOD Consolidated Ammunition Catalog for additional information.

**Unit of Issue:**

Each grenade packed ..... 1 per container; 10  
containers per  
packing box '

**Packing Data:**

Loaded packing box:

Weight ..... 31.5 lb  
Dimensions ..... 19.0 in. x 6.5 in. x  
14.625 in.  
Cube..... 1.05 cu ft

**Shipping and Storage Data:**

Hazard class/division and  
storage compatibility  
group ..... 1.4G  
UNO serial number ..... 0303  
UNO proper shipping  
name ..... Ammunition,  
smoke  
DOT class ..... Class C explosive  
DOT marking ..... SMOKE  
GRENADES,  
HANDLE  
CAREFULLY -  
KEEP FIRE AWAY

**Functioning:**

Colored smoke streamer rifle grenades M23 and M23A1 function on firing, emitting a stream of colored smoke over the entire trajectory. Upon firing the grenade cartridge in the rifle, these grenades are launched and function as follows:

Flash from the grenade cartridge passes from the rifle through orifices in the fuze to ignite the igniting charge in the fuze.

The igniting charge ignites the starter mixture charge.

The starter mixture charge ignites the smoke charge.

The smoke charge begins to burn, generating colored smoke.

Air entering the air hole in the nose of the grenade forces smoke out of holes in the base of the body, producing streamers of colored smoke.

The smoke charge continues to burn, producing smoke over the entire trajectory of the grenade, and for a few seconds after striking the ground. (Total burning time: approximately 12 seconds).

**References:**

TM 9-1330-200  
TM 9-1330-200-12  
TM 9-1330-200-34  
FM 23-30  
DOD Consolidated Ammo Catalog

**Drawings:**

Assembly ..... 82-0-139  
Fuze (integral with body) ..... 82-2-47  
Packing (inner) ..... 9227349  
Packing (outer) ..... 9227350

**Remarks:**

Colored smoke streamer rifle grenades M23 and M23A1 have a range of over 200 meters. Colored smoke streamer rifle grenades M23 and M23A1 are fabricated from the same metal parts (except for the fuze) as colored smoke rifle grenades M22 and M22A2.

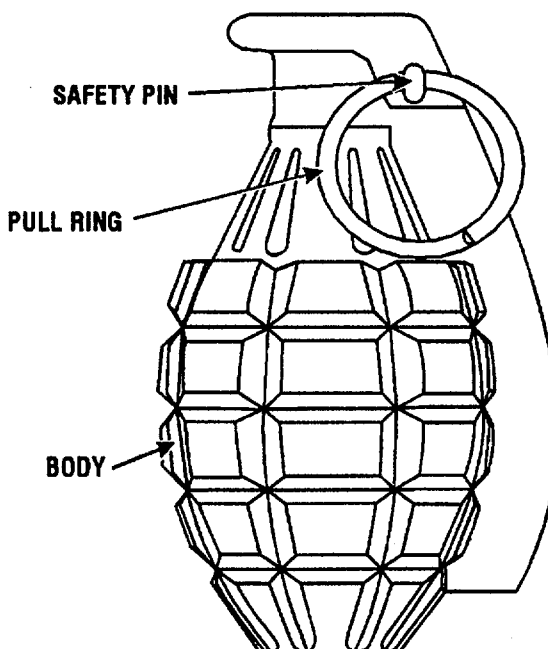
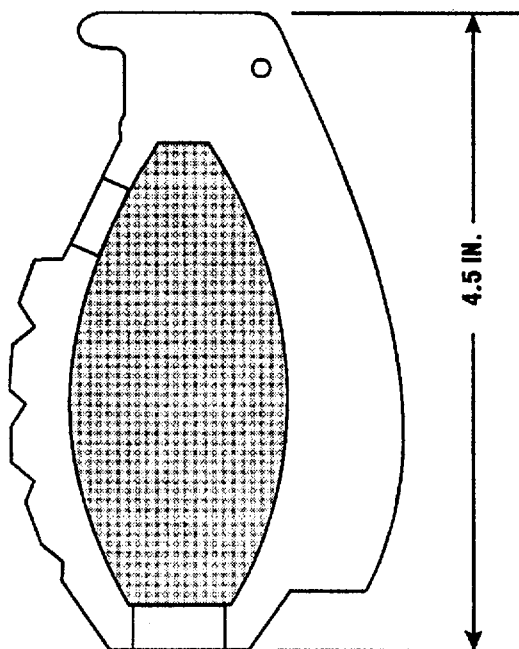
**CHAPTER 4**

**PRACTICE, INERT, TRAINING GRENADES**

**THIS PAGE INTENTIONALLY LEFT BLANK**



**GRENADE, HAND: TRAINING, MK1A1**



U  
AR 101038

**Type Classification:**

Obs. MSR 11756003

**Use:**

Training hand grenade MK1A1 is a nonfunctioning type used for training in handling and throwing of Fragmentation Hand Grenade MK2. Grenade MK1A1 may be used for practice in throwing hand grenades in small confined areas because it is completely inert. The grenade is used principally to improve techniques in throwing and accuracy.

**Description:**

The grenade body is of cast iron.

Training hand grenade MK1A1 has no fuze.

Safety clips are not required for these grenades.

**Tabulated Data:**

Grenade:  
 Model(s) ----- MK1A1  
 Body ----- Cast iron

Weight----- 21 oz  
 Length (max)----- 4.5 in.  
 Diameter ----- 2.25 in.  
 Color ----- Black w/no mark-  
 ings  
 Packing ----- 24 per packing box  
 Filler ----- None  
 Fuze----- None  
 Safety device ----- Pull ring and safety  
 pin

**Packing Data:**

Packing box:  
 Weight (w/contents)----- 46.7 lb  
 Dimensions ----- 24.0 in. x 9.375 in.  
 x 7.0 in.  
 Cube ----- 0.94 cu ft

**Shipping and Storage Data:**

Hazard class/division and  
 storage compatibility  
 group ----- Not required  
 UNO serial number ----- Not required  
 UNO proper shipping  
 name----- Not required  
 DOT class----- Not required  
 DOT marking ----- Not required

TM 9-1330-200-34  
FM 23-30

**Functioning:**

Training hand grenade MK1A1 is nonfunctioning.

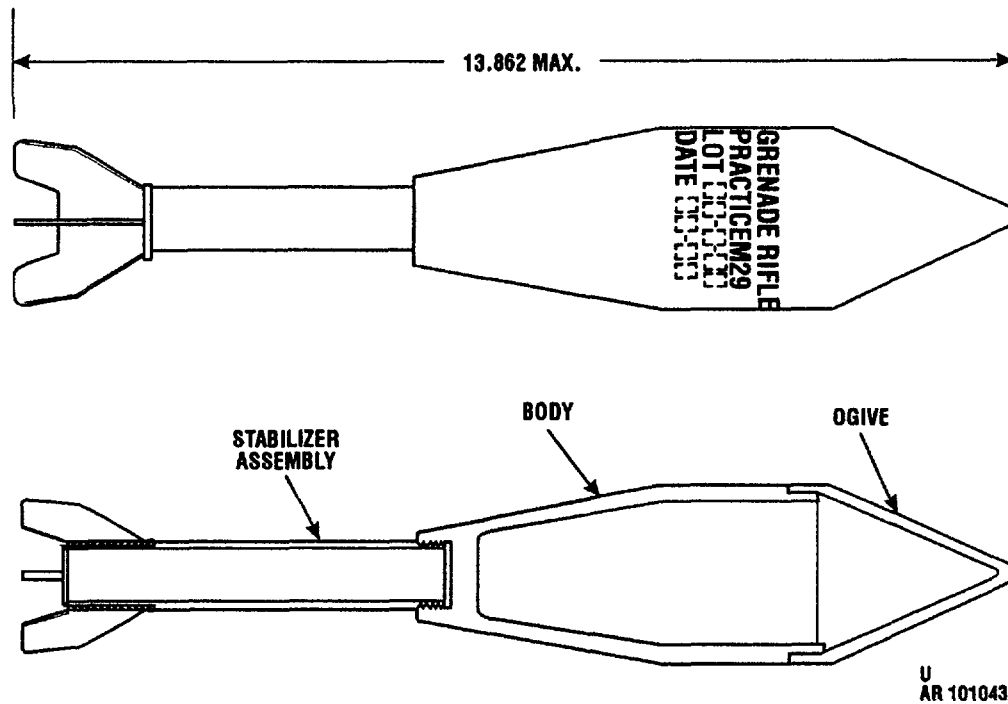
**References:**

TM 9-1330-200  
TM 9-1330-200-12

**Drawings:**

Assembly----- 82-1-7  
Fuze ----- None  
Packing (inner) ----- 76-16-248  
Packing (outer) ----- 76-16-248

**PRACTICE, AT RIFLE GRENADE, M29**



**Type Classification:**

Obs. MSR 11756003

**Use:**

A practice AT rifle grenade.

**Description:**

Practice AT rifle grenade M29 consists of two parts: a body and a stabilizer tube-fin assembly of steel. A separately issued stabilizer tube-fin assembly is available for replacement purposes.

The M29 grenade may be fired at a target without danger to the target other than from impact. The grenade has a maximum range of approximately 150 meters.

**Tabulated Data:**

Model ----- M29  
 Type ----- Practice AT  
 Weight ----- 1.5 lb

**Dimensions:**

Diameter ----- 3.0 in.  
 Height ----- 14.5 in.  
 Charge ----- None  
 Body ----- Cast iron  
 Fuze ----- None  
 Color ----- Black w/white markings or blue w/white markings

**Federal Supply Code:**

NSN ----- 1330-00-028-5920  
 DODAC ----- 1330-G980

**Unit of Issue:**

Each grenade packed ----- 1 per container; 20 containers per packing box.

**Packing Data:**

Packing box:  
 Weight (w/contents) ----- 66.5 lb  
 Dimensions ----- 20.75 in. x 15.75 in.  
 x 17.15 in.  
 Cube ----- 3.3 cu ft

**Shipping and Storage Data:**

Hazard class/division and  
storage compatibility  
group ----- Not required  
UNO serial number ----- Not required  
UNO proper shipping  
name ----- Not required  
DOT class----- Not required  
DOT marking w/o  
cartridge----- Not required  
DOT marking w/  
cartridge----- SMALL ARMS  
AMMUNITION

**Functioning:**

None.

**References:**

TM 9-1330-200  
TM 9-1330-200-12  
TM 9-1330-200-34  
FM 23-30

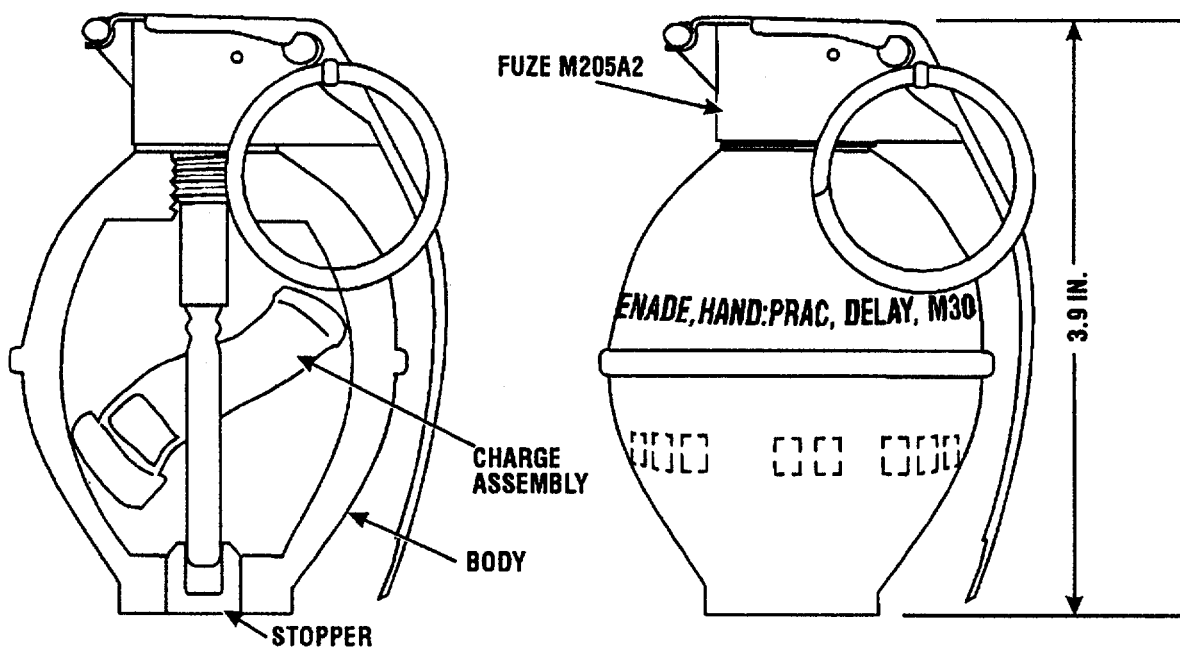
**Drawings:**

Assembly----- 8864102  
Fuze ----- None used  
Packing (inner) ----- 8864704  
Packing (outer) ----- 8864705

**Remarks:**

Grenade M29 may be used repeatedly if the stabilizer  
tube fin assembly is replaced when it becomes  
damaged.

**GRENADE, HAND: PRACTICE, DELAY, M30**



U  
AR 101034

**Type Classification:**

Obs. MSR 11756003

**Use:**

Grenade M30 is used for training in care, handling and throwing of fragmentation hand grenades M26A1 and M26.

**Description:**

The body is not loaded with a high-explosive filler but may have a small, separate black powder charge.

Hand grenade fuzes M205A1 and M205A2 are pyrotechnic delay-igniting fuzes. They differ in body construction only. The body contains a primer and a pyrotechnic delay column. Assembled to the body are a striker, striker spring, safety lever, safety pin with pull ring, and an igniter assembly. The split end of the safety pin has an angular spread or a diamond crimp.

**Tabulated Data:**

Grenade (with fuze):

Model(s) -----	M30
Body -----	Cast iron
Weight-----	16 oz
Length (max)-----	3.9 in.
Diameter -----	2.25 in.
Color -----	Blue w/brown band w/white or no markings

**Filler:**

Type -----	Black powder
Weight -----	21 grains

**Fuze:**

Model(s) -----	M205A1, M205A2
Type -----	Pyrotechnic delay-igniting
Primer-----	M42
Ignition mixture -----	Zirconium nickel alloy, potassium perchlorate barium chromate
Delay time -----	4-5 seconds
Igniter -----	Black powder
Weight -----	2.6 oz
Length -----	4.0 in.
Color (safety lever)-----	Blue w/red band, markings in black

Packing ----- 360 per wooden box  
 Safety device ----- Pull ring and safety  
 pin

**Federal Supply Code:**

NSN ----- 1330-00-028-5841  
 DODAC----- 1330-G915

See DOD Consolidated Ammunition Catalog for  
 additional information.

**Unit of Issue:**

Each grenade packed ----- 1 per container; 30  
 per packing box

**Packing Data:**

Packing box:  
 Weight (with contents)----- 53.0 lb  
 Dimensions ----- 19-1/2 in. x 11-1/2  
 in. x 12-3/4 in.  
 Cube ----- 1.65 cu ft

**Shipping and Storage Data:**

Hazard class/division and  
 storage compatibility  
 group ----- (04) 1.2G  
 UNO serial number ----- 0372  
 UNO proper shipping  
 name ----- Grenades, practice  
 DOT class----- Class C explosive  
 DOT marking ----- TIME FUZES -  
 HANDLE  
 CAREFULLY

**Functioning:**

Removal of the safety pin permits release of the  
 safety lever. When the safety lever is released, it is  
 forced away from the grenade body by a striker acting  
 under the force of a striker spring. The striker rotates on  
 its axis and strikes the percussion primer. The primer  
 emits a small, intense spit of flame, igniting the delay  
 element. The delay element burns for 4 to 5 seconds,  
 then sets off the igniter. The igniter initiates the black  
 powder charge (when installed). The stopper (when  
 installed) is forced from the base of the body. A loud  
 report, like that of a firecracker, and a puff of white  
 smoke follow.

**References:**

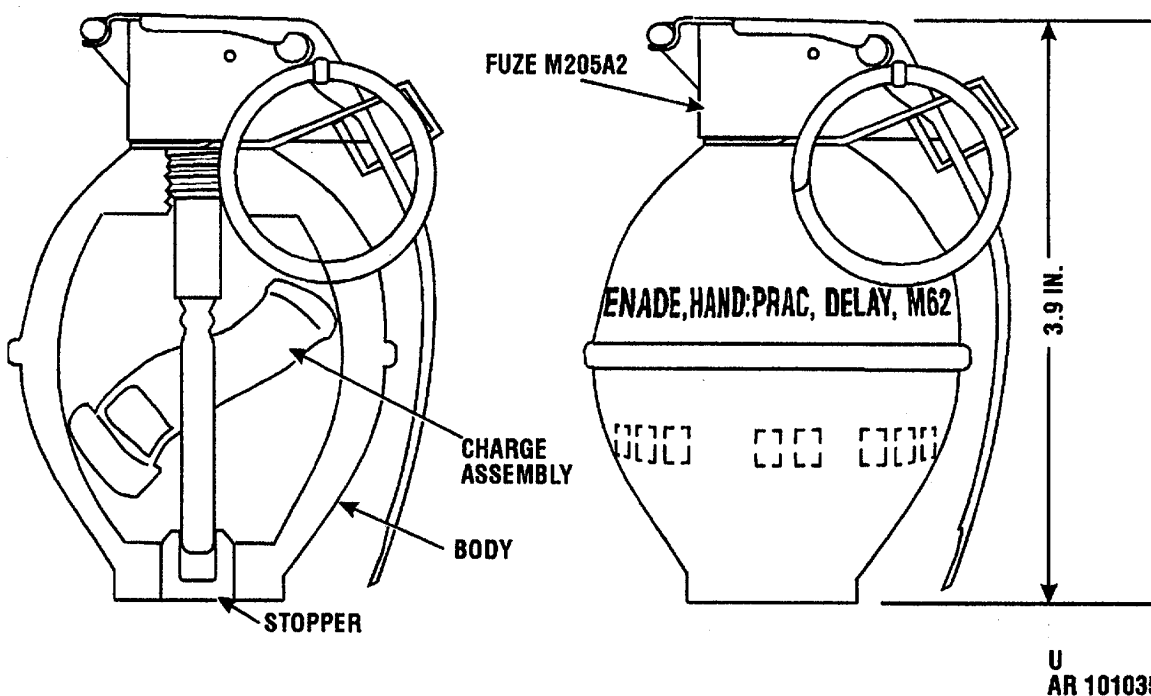
TM 9-1330-200  
 TM 9-1330-200-12  
 TM 9-1330-200-34  
 FM 23-30

**Drawings:**

Assembly----- 8861647  
 Fuze (M205A1) ----- 82-1-46  
 Fuze (M205A2) ----- 7548570  
 Packing (inner) ----- 7548339  
 Packing (outer) ----- 7548340  
 Remarks:

Delay practice hand grenade M30 is the M62  
 without a safety clip. After use, the grenade body may  
 be recovered, and reloaded with a new fuze, and black  
 powder charge and stopper, if used. The grenade body  
 is of cast iron. The M30 external configuration is  
 identical with that of the M26A1 and M26.

**GRENADE, HAND: PRACTICE, DELAY, M62**



U  
AR 101035

**Type Classification:**

Obs. MSR 11756003

**Use:**

The M62 delay practice grenade is used for training in care, handling and throwing of fragmentation hand grenade M61.

**Description:**

The grenade body is of cast iron. The body is not loaded with a high-explosive filler but may have a small, separate black powder charge.

The hand grenade fuzes M205A1 and M205A2 are pyrotechnic delay-igniting fuzes.

They differ in body construction only. The body contains a primer and a pyrotechnic delay column. Assembled to the body are a striker, striker spring, safety lever, safety pin with pull ring, and an igniter assembly. The split end of the safety pin has an angular spread or a diamond crimp.

The hand grenade safety clip is designed to keep the safety lever in place, should the safety pin be unintentionally removed from the gre-

nade. It is an additional safety device used in conjunction with the safety pin. The hand grenade safety clip, of spring-steel wire, is shaped in a special configuration for installation on the grenade. It consists of a clamp, which fits around the fuze body and over the safety lever. It serves to prevent release of the grenade safety lever if the safety pin is accidentally released.

**Tabulated Data:**

Grenade (with fuze):

Model(s)-----	M62
Body -----	Cast iron
Weight -----	16 oz
Length (max)-----	3.9 in.
Diameter -----	2.25 in.
Color -----	Blue w/brown band w/white or no markings

**Filler:**

Type -----	Black powder
Weight -----	21 grainms

**Fuze:**

Model(s) -----	M205A1, M205A2
Type -----	Pyrotechnic delay- igniting
Primer-----	M42

Ignition mixture ----- Zirconium nickel alloy, potassium perchlorate barium chromate  
 Delay time ----- 4-5 seconds  
 Igniter ----- Black powder  
 Weight ----- 2.6 oz  
 Length ----- 4.0 in.  
 Color (safety lever) ----- Blue w/red band, markings in black  
 Packing ----- 360 per wooden box  
 Safety device ----- Pull ring and safety pin, and safety clip

**Federal Supply Code:**

NSN ----- 1330-00-935-6063  
 DODAC----- 1330-G914  
 See DOD Consolidated Ammunition Catalog for additional information.

**Unit of Issue:**

Each grenade packed ----- 1 per container; 30 per packing box

**Packing Data:**

Packing box:  
 Weight (w/contents)----- 53.0 lb  
 Dimensions ----- 19-1/2 in. x 11-1/2 in. x 12-3/4 in.  
 Cube ----- 1.65 cu ft

**Shipping and Storage Data:**

Hazard class/division and storage compatibility group ----- (04) 1.2G  
 UNO serial number ----- 0372  
 UNO proper shipping name ----- Grenades, practice  
 DOT class----- Class C explosive  
 DOT marking ----- TIME FUZES - HANDLE CAREFULLY

**Functioning:**

Release of the safety clip and removal of the safety pin permit release of the safety lever. When the safety lever is released, it is forced away from the grenade body by a striker acting under the force of a striker spring. The striker rotates on its axis and strikes the percussion primer. The primer emits a small, intense spit of flame, igniting the delay element. The delay element burns for 4 to 5 seconds, then sets off the igniter. The igniter initiates the black powder charge (when installed). The stopper (when installed) is forced from the base of the body. A loud report, like that of a firecracker, and a puff of white smoke follow.

**References:**

TM 9-1330-200  
 TM 9-1330-200-12  
 TM 9-1330-200-34  
 FM 23-30  
 DOD Consolidated Ammo Catalog

**Drawings:**

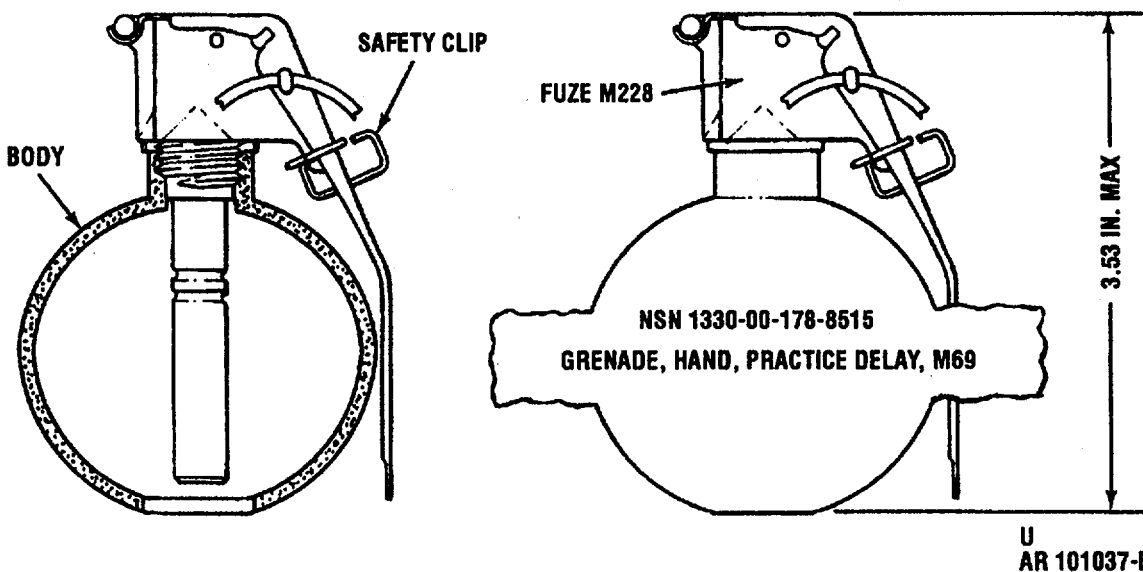
Assembly----- 9231597  
 Fuze (M205A1) ----- 82-1-46  
 Fuze (M205A2) ----- 7548570  
 Packing (inner) ----- 7548339  
 Packing (outer) ----- 7548340

**Remarks:**

Delay practice hand grenade M62 is the M30 with a safety clip. After use, the M62 grenade body may be recovered, and reloaded with a new fuze, and black powder charge and stopper, if used. The M62 external configuration is identical with that of the M61, M26A1 and M26. Safety clips from expended grenades may be reused, provided that visual examination indicates the clip is not damaged or distorted.



**GRENADe, HAND: PRACTICE, DELAY, M69**



**Type Classification:**

Std, LCC-A, AMCTC 8345

**Use:**

Delay practice hand grenade M69 is the practice version of the M67 fragmentation delay grenade.

**Description:**

The grenade body of steel is essentially spherical in shape. The body is empty, i.e., without any explosive filler. There is a hole in the base of the body. (This vents the gases generated from the fuze igniter and permits removal of residual metal that remains in the grenade body from the igniter case. The grenade body may be recovered and reloaded with a new fuze and safety clip).

Hand grenade practice fuze M228 is a pyrotechnic delay-igniting fuze. The body contains a primer and a pyrotechnic delay column. Assembled to the body are a striker, striker spring, safety lever, safety pin with pull ring, safety clip, and igniter assembly. (Older models do not have the safety clip). The split end of

the safety pin has an angular spread or a diamond crimp.

The hand grenade safety clip is designed to keep the safety lever in place, should the safety pin be unintentionally removed from the grenade. It is an additional safety device used in conjunction with the safety pin. The safety clip is assembled to the fuze. (Older models have the safety clip assembled to the grenade and positioned around the safety lever).

Safety clips from expended grenades may be reused, provided that visual examination indicates the clip is not damaged or distorted.

**Tabulated Data:**

Grenade (with fuze):	
Model -----	M69
Body -----	Steel
Weight-----	14 oz
Length (max)-----	3.53 in.
Diameter -----	2.5 in.
Color -----	Blue w/brown band and white mark- ings

**Filler:**

Type-----	None
Weight -----	None

**Fuze:**

Model ----- M228  
 Type ----- Pyrotechnic.delay-igniting  
 Primer----- M42  
 Igniter ----- Black powder  
 Delay time ----- 4.5 seconds  
 Weight ----- 2.6 oz  
 Length ----- 3.33 in.  
 Color (safety lever) ----- Blue w/brown end and black markings  
 Packing ----- 360 per box  
 Safety device ----- Pull ring and safety pin, and safety clip

**\*Packing Data:**

Grenade bodies ----- 50 per carton; 1 carton per barrier bag; 1 barrier bag per wooden box  
 Grenade fuzes ----- 45 per tray; 8 trays (360 fuzes) per wooden box

**Packing box:**

Weight (with grenade bodies) ----- 68.5 lb  
 Dimensions ----- 18 x 15 x 8 in.  
 Cube ----- 1.5 cu ft  
 Explosive weight ----- None

\*NOTE: See DOD Consolidated Ammunition Catalog for additional information including NSNs.

**Shipping and Storage Data:**

Hazard class/division and storage compatibility group ----- 1.4G  
 UNO serial number ----- 0372

UNO proper shipping name ----- Grenades, practice  
 DOT class----- Class C explosive  
 DOT marking ----- TIME FUZES - HANDLE CAREFULLY  
 DODAC (Grenade, assembled) ----- 1330-G918  
 DODAC (Grenade fuze)----- 1330-G878

**Functioning:**

Release of the safety clip and removal of the safety pin permit release of the safety lever. When the safety lever is released, it is forced away from the grenade body by a striker acting under the force of a striker spring. The striker rotates on its axis and strikes the percussion primer. The primer emits a small, intense spit of flame, igniting the delay element. The delay element burns for 4 to 5 seconds, then sets off the igniter. A loud report, like that of a firecracker, and a puff of white smoke follows.

**References:**

TM 9-1330-200-12  
 TM 9-1330-200-34  
 FM 23-30  
 DOD Consolidated Ammo Catalog

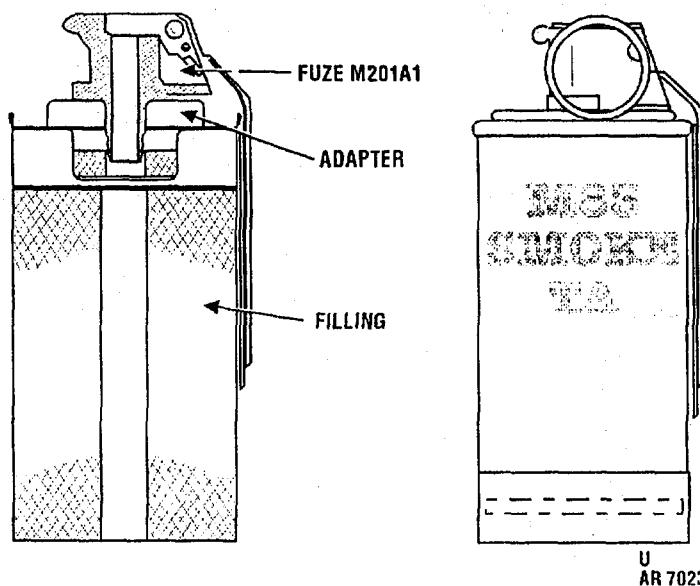
**Drawings:**

Assembly----- 9235208  
 Fuze ----- 9235210

**Remarks:**

The M69 practice hand grenade is normally issued as separate components, as required. Component parts consist of a practice hand grenade body and a practice hand grenade fuze.

**GRENADE, HAND: SMOKE, TA, PRACTICE, M83**



**Type Classification:**

Std. LCC-A, AMCTC 3408

**Use:**

The TA Practice Smoke Hand Grenade, M83 is a burning type grenade used to generate white smoke for screening activities of small units. It is also used for ground-to-air signaling.

**Description:**

The grenade body is a cylinder of thin sheet metal. It is filled with TA smoke mixture topped with a starter slug directly under the fuze opening. The duration of smoke screen or signal is 25 to 70 seconds, average burn-time.

Hand grenade fuze M201A1 is a pyrotechnic delay-igniting fuze. The body contains a primer, first-fire mixture, pyrotechnic delay column, and starter slug. Assembled to the body are a striker, striker spring, safety lever and safety pin with pull ring. The split end of the safety pin has an angular spread.

Safety clips are not required with these grenades.

**Tabulated Data:**

Grenade (with fuze):  
 Model(s) ----- M83  
 Body ----- Sheet metal  
 Weight----- 16 oz

Length ----- 5.7 in.  
 Diameter ----- 2.5 in.  
 Color----- Forest green with light green markings, a blue band, and a white top.  
 Packing ----- 1 per container; 16 per packing box

Filler:  
 Type ----- Terephthalic Acid (TA)  
 Weight----- 11 oz

Fuze:  
 Model(s) ----- M201A1  
 Type ----- Pyrotechnic delay-igniting  
 Primer----- M39A1  
 Ignition mixture ----- Iron oxide, titanium, zirconium  
 Delay time ----- 0.7-2 sec  
 Weight----- 1.5 oz  
 Length ----- 3.9 in.  
 Color (safety lever) ----- Gray or olive drab w/black markings  
 Packing ----- Not separately issued  
 Safety device ----- Pull ring and safety pin

**Federal Supply Code:**

NSN ----- 1330-01-380-0284  
 DODAC----- 1330-G982  
 See DOD Consolidated Ammunition Catalog for additional information.

**Unit of Issue:**

Each grenade packed ----- 1 per container; 16  
per packing box

**Packing Data:**

Packing box:  
Weight (with contents) ----- 33 lb  
Dimensions ----- 14.0 in. x 14.0 in. x  
8.0 in.  
Cube ----- 0.90 cu ft

**Shipping and Storage Data:**

Hazard class/division  
and storage compatibility  
group ----- 1.3 G  
UNO serial number ----- 0016  
DOT class----- Class C explosive  
DOT marking ----- SMOKE  
GRENADES,  
HANDLE  
CAREFULLY -  
KEEP FIRE AWAY

**Functioning:**

Removal of the safety pin permits release of the safety lever. When the safety lever is released, it is forced away from the grenade body by a striker acting under the force of a striker spring. The striker rotates on its own axis and strikes the percussion primer. The primer initiates the first fire mixture, The fuze delay element, ignition mixture, and grenade starter mixture and filler are initiated in turn by the preceding component. The pressure sensitive tape is blown off the emission holes and smoke is emitted for 25 to 70 seconds.

**References:**

FM 3-50  
TM 9-1330-200-12  
TM 9-1330-200-34  
FM 23-30  
DOD Consolidated Ammo Catalog  
AMC-P 700-3-5

**Drawings:**

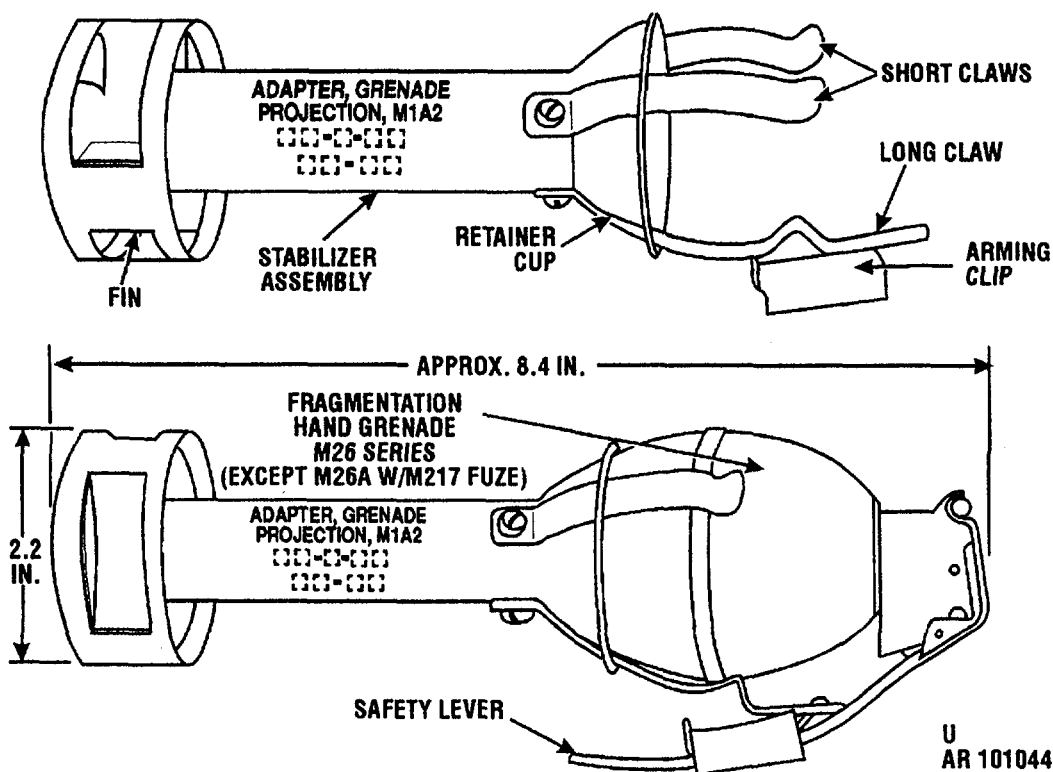
Assembly ----- 13-1.9-700  
Fuze ----- 13-10-22  
Packing (inner) ----- 13-9-44  
Packing (outer) ----- 13-19-83

CHAPTER 5

SPECIAL TYPE GRENADES

**THIS PAGE INTENTIONALLY LEFT BLANK**

**ADAPTERS, GRENADE PROJECTION, M1-SERIES**



**Type Classification:**

Obs. MSR 05776015

**Use:**

Grenade projection adapters M1-series adapt fragmentation, practice, illuminating and WP smoke hand grenades for launching from a rifle.

**Description:**

Three different models are available: the M1, the MIA1 and the MIA2. Adapter M1 can be used with fragmentation hand grenade MK2 only.

Adapters M1A1 and M1A2 consist of four parts: a fin assembly, a stabilizer tube, a cup and three claws.

The adapter is fabricated from sheet steel with three spring-steel claws. These grip and hold the grenade in the adapter. The fin assembly is attached to one end of the stabilizer tube. The cup and claws are attached to the other end of the stabilizer tube. An arming clip is attached to the longest of the three claws.

**Tabulated Data:**

Model(s) ----- M1, MIA1, M1A2  
 Weight ----- 6 oz  
 Height ----- 7 in.  
 Color ----- Olive drab w/black markings

**Federal Supply Code:**

NSN ----- 1330-00-028-5822  
 DODAC----- 1330-G801

**Unit of Issue:**

Each grenade packed ----- 24 per carton; 48 per packing box

**Packing Data:**

\*Packing box:  
 Weight ----- 49.0 lb  
 Dimensions ----- 30-75 in. x 13.75 in. x 12.0 in.  
 Cube ----- 1.75 cu ft  
 \*See DOD Consolidated Ammunition Catalog for additional information.

**Shipping and Storage Data:**

Hazard class/division and storage compatibility  
 group ----- 1.4S  
 UNO serial number ----- 0014  
 UNO proper shipping name ----- Cartridges for weapons, blank  
 DOT class----- Class C explosive  
 DOT marking ----- SMALL ARMS AMMUNITION

**Functioning:**

After placing the grenade in the adapter and releasing the safety clip and removing the safety pin, the hand grenade with adapter is placed on the grenade launcher and is fired. It functions as follows:

The arming clip moves rearward, striking a small extension of the arming clip retainer.

Force of the arming clip's striking the small extension (made of brittle metal) breaks it, allowing the arming clip to fall free, thus releasing the safety lever.

The fuze begins to function (see applicable hand grenade for information on subsequent functioning).

**References:**

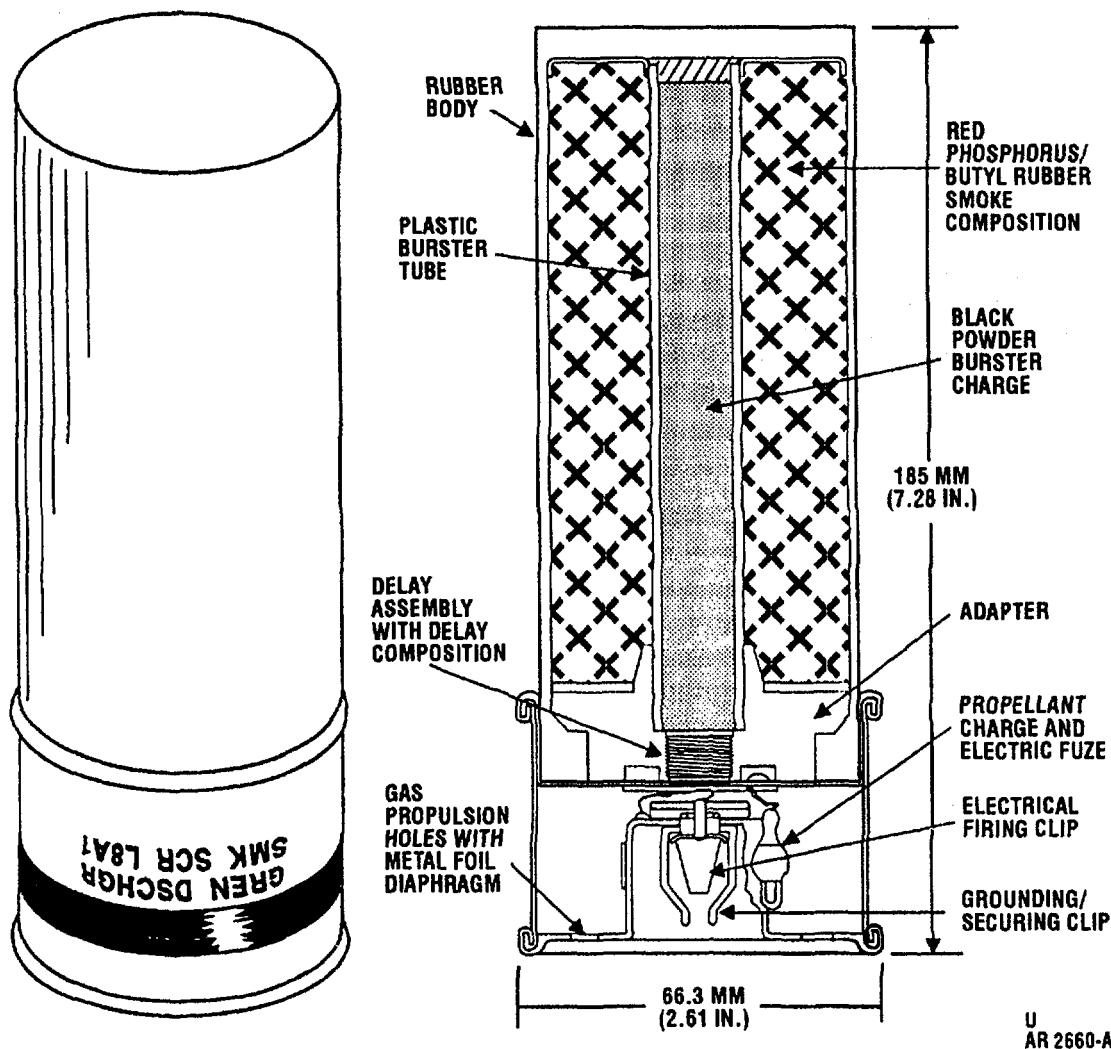
TM 9-1330-200  
 TM 9-1330-200-12  
 TM 9-1330-200-34  
 FM 23-30  
 DOD Consolidated Ammo Catalog

**Drawings:**

Assembly----- 82-1-81  
 Packing----- 20-4-369



**GRENADe, LAUNCHER, SMOKE: SCREENING, RP, (UK) L8A1**



**Type Classification:**

Std. LCC-A, MSR 07766009

**Use:**

Used with the M239 and similar Grenade Launchers to provide a self-screening smoke capability for armored/tactical vehicles.

**Description:**

The grenade consists of a rubber cylindrical body and a metal base. The rubber body contains 360 grams of red phosphorous/butyl rubber in a 95/5 proportion and a central plastic

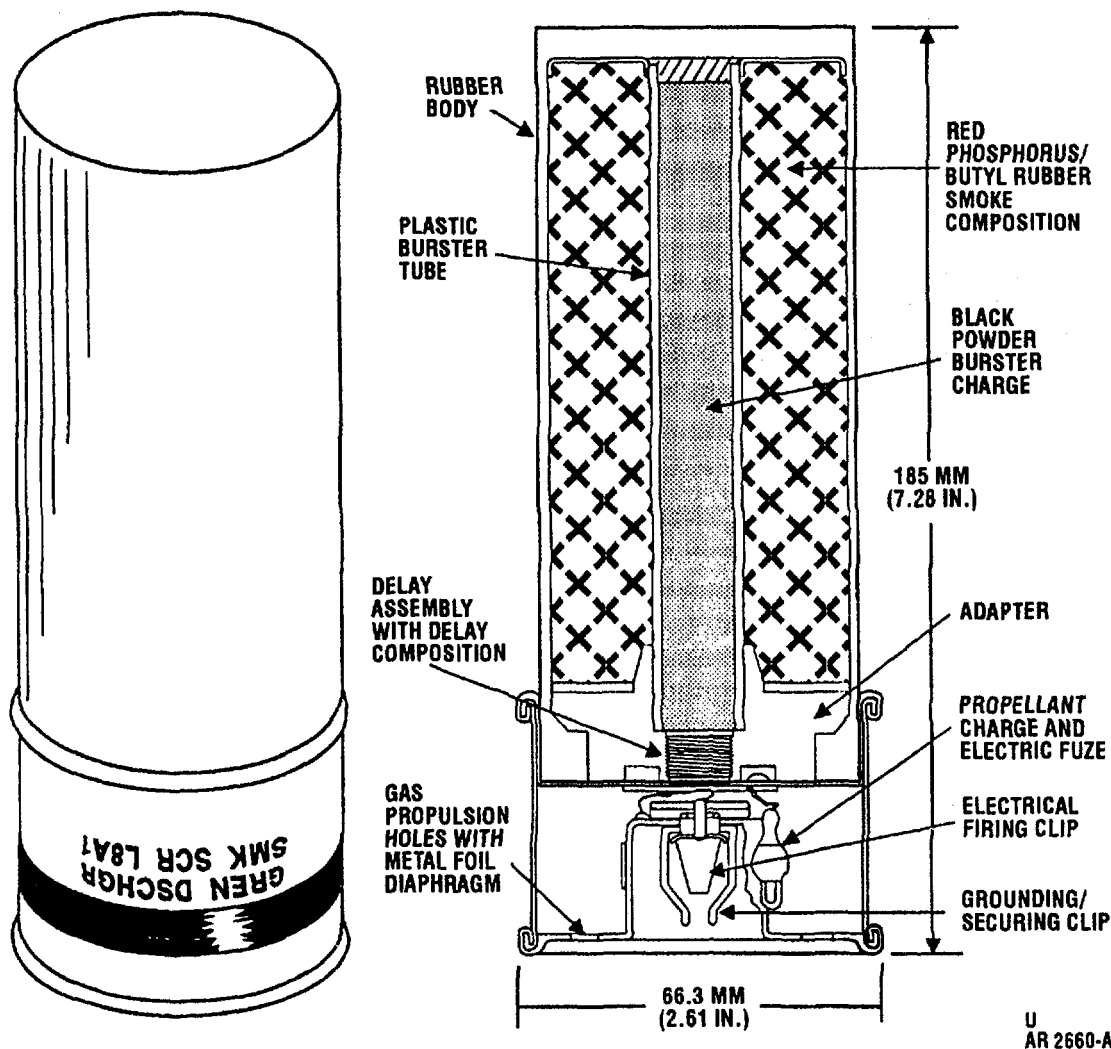
burster tube containing a burster charge of 15 grams of black powder. The metal base contains the electrical clips, F92 squib type electric fuze, propellant charge (3.0 grams of black powder), and the delay assembly with delay composition (0.26 grams of black powder). The metal base contains eight gas propulsion holes covered by a metal foil diaphragm.

**Tabulated Data:**

Model ----- (UK) L8A1  
 Type----- Smoke (white)  
 Weight ----- 1.5 lb  
 Diameter----- 2.61 in.  
 Length ----- 7.28 in.  
 Charge ----- 360 grams



**GRENADe, LAUNCHER, SMOKE: SCREENING, RP, (UK) L8A1**



**Type Classification:**

Std. LCC-A

**Use:**

Used with the M239 and similar Grenade Launchers to provide a self-screening smoke capability for armored/tactical vehicles.

**Description:**

The grenade consists of a rubber cylindrical body and a metal base. The rubber body contains 360 grams of red phosphorous/butyl rubber in a 95/5 proportion and a central plastic

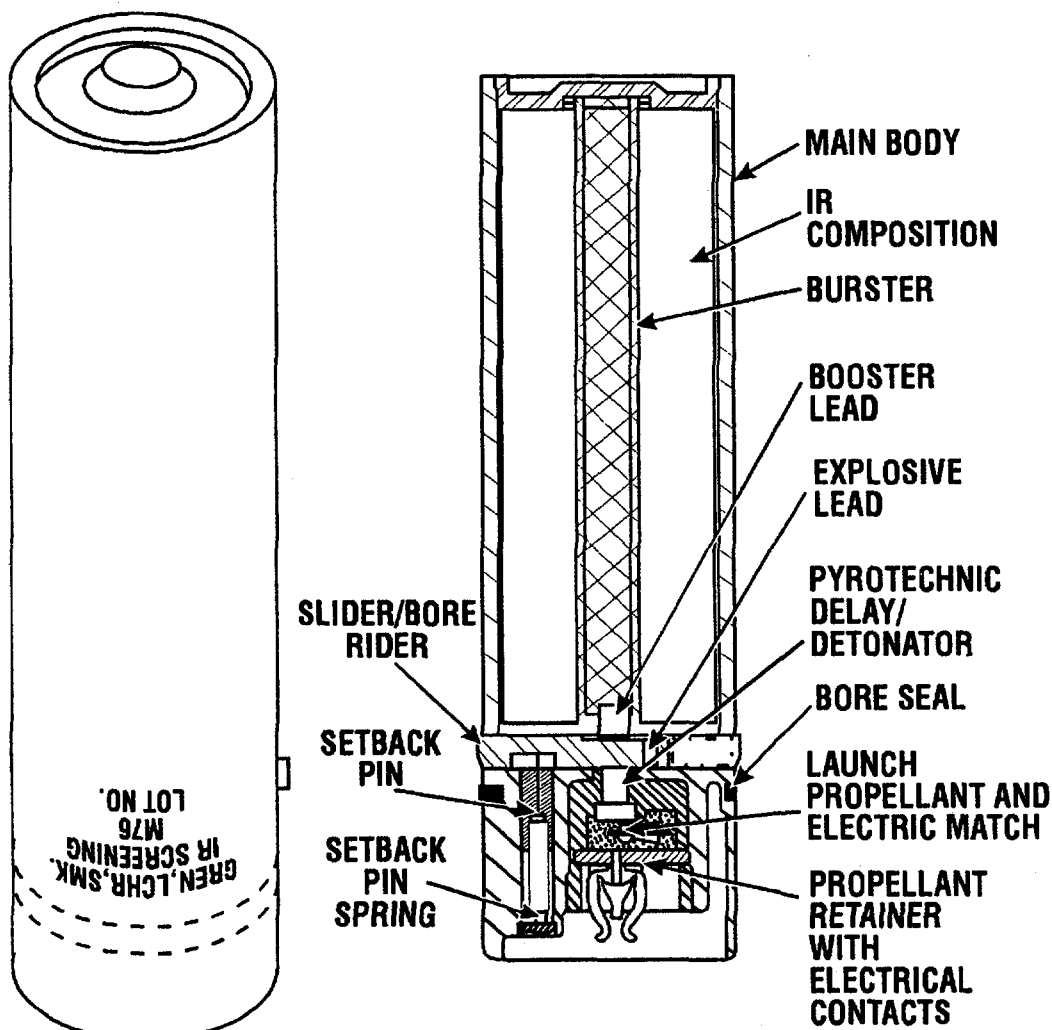
burster tube containing a burster charge of 15 grams of black powder. The metal base contains the electrical clips, F92 squib type electric fuze, propellant charge (3.0 grams of black powder), and the delay assembly with delay composition (0.36 grams of black powder). The metal base contains eight gas propulsion holes covered by a metal foil diaphragm.

**Tabulated Data:**

Model -----	(UK) L8A3
Type-----	Smoke (white)
Weight -----	1.5 lb
Diameter-----	2.61 in.
Length -----	7.28 in.
Charge -----	360 grams



**GRENADE, LAUNCHER, SMOKE: IR SCREENING, M76**



U  
AR2609

**Type Classification:**

Std. LCC-A, MSR 05856004

**Use:**

Used with the M250, M239, M243 and similar grenade launchers to provide an infrared and visual smoke screening capability for armored/tactical vehicles.

**Description:**

The grenade consists of a plastic cylindrical main body that contains the IR composition, burster, booster lead, and safe and arm (S&A)

mechanism. The S&A mechanism consists of a out-of-line spring loaded slider/bore rider containing the explosive lead and a spring loaded setback lock. A propellant assembly is retained in the body forming the complete grenade. The propellant assembly consists of a pyrotechnic delay detonator, launch propellant, an electric match, and a propellant retainer with electrical contacts.

**Tabulated Data:**

Model -----	M76
Type -----	Smoke, IR screening
Weight -----	4.0 lb (1.8 kg)
Diameter-----	2.59 in.

Length ----- 9.3 in.  
 Filler ----- 3.1 lb (1.4 kg) IR  
 composition  
 Type ----- Electrical igniting  
 Replaced item ----- None

UNO serial number ----- 0434  
 UNO proper shipping  
 name ----- Projectiles  
 DOT class----- Class A Explosive  
 DOT marking ----- EXPLOSIVE  
 PROJECTILES

**Federal Supply Code:**

NSN ----- 1330-01-171-8869  
 DODAC----- 1330-G826  
 Line item number ----- G80205  
 Class of supply ----- V

See DOD Consolidated Ammunition Catalog for  
 additional data.

**Unit of Issue:**

Each packed ----- 4 grenades per  
 metal container  
 Basic load----- 6 metal containers  
 (24 grenades)

**Packing Data:**

Metal container:

Model ----- M2A1  
 Weight w/contents ----- 22.7 lb (10.3 kg)  
 Length ----- 12-1/32 in.  
 Width----- 6-3/32 in.  
 Height ----- 7-1/2 in.  
 Cube ----- 0.32 cu ft  
 Pallet (96 metal containers):  
 Weight w/contents ----- 2330 lb (1057 kg)  
 Length ----- 36-7/8 in.  
 Width ----- 30-7/8 in.  
 Height ----- 48-1/2 in.  
 Cube ----- 42 cu ft

**Shipping and Storage Data:**

Hazard class/division and  
 storage compatibility  
 group----- (02) 1.2

**Functioning:**

The grenades are loaded into the launching device. The electrical system is initiated to activate the electric match. The functioning of the electric match ignites the delay element. Pressure build up in the base and the grenade is ejected from the launcher device. During flight of the grenade, the delay element burns through and ignites the burster charge. The burning time of the delay element is approximately 1.7 seconds. The burster charge ruptures the plastic grenade body and disperses the mixture which forms a smoke screen within 2 seconds after firing. A salvo of grenades produces a smoke cloud approximately 30 meters forward of the launcher, seven meters high, and obscuring a front of over a 110° arc. Cloud duration is approximately 45 seconds depending upon weather conditions.

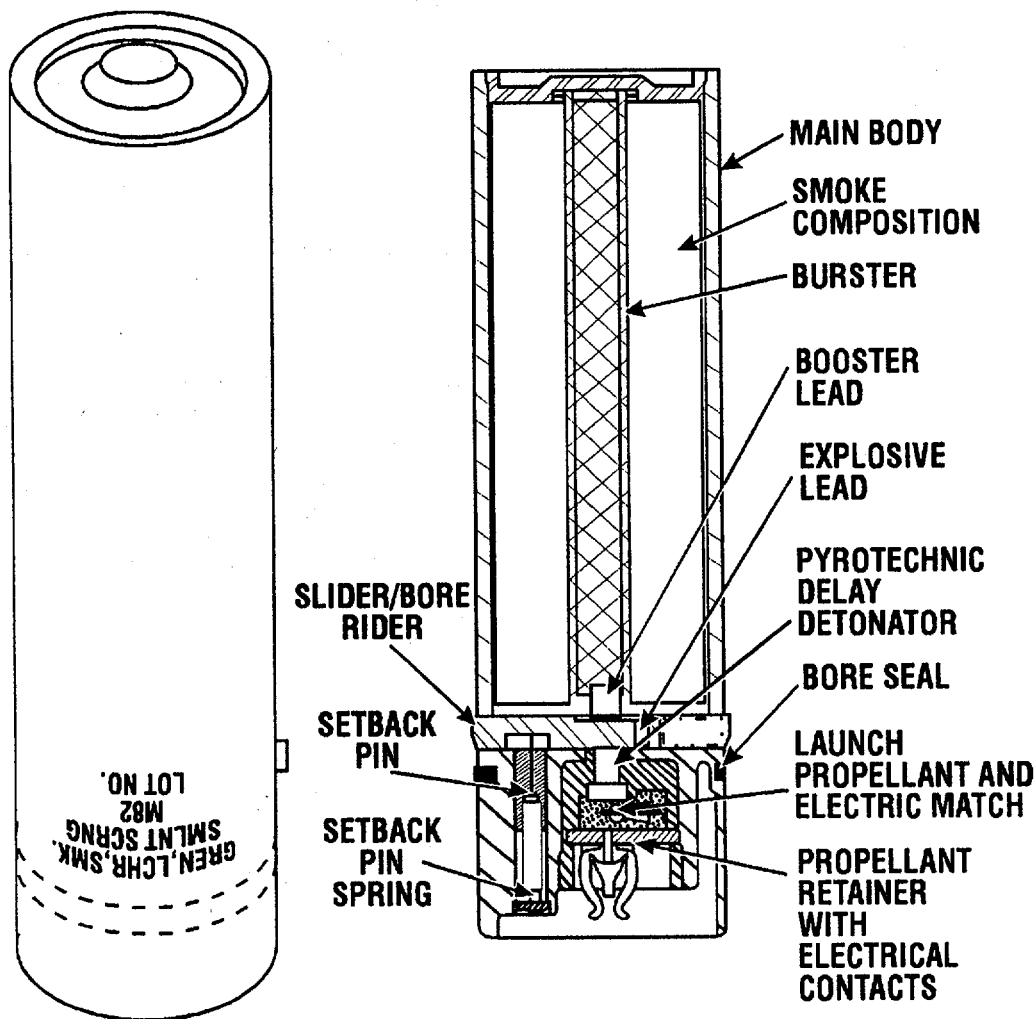
**References:**

TM 3-1040-268-20&P  
 TM 9-1330-200-12  
 TM 9-1330-200-34  
 FM 23-30  
 DOD Consolidated Ammo Catalog  
 DARCOM-P 1700-3-5

**Drawings:**

Top drawing ----- 13-19-150  
 Marking drawing----- 13-19-180  
 Packing drawing----- 13-19-151  
 Pallet drawing ----- 13-19-211  
 Marking ammunition  
 container drawing----- 13-19-179

**GRENADE, LAUNCHER, SMOKE: SIMULANT SCREENING, M82**



U  
AR 5761-A

**Type Classification:**

Std.

**Use:**

Used with the M250, M239, M243 and similar grenade launchers to provide means to train armored/tactical vehicle crews to employ smoke grenade launchers.

**Description:**

The grenade consists of a plastic cylindrical main body that contains a smoke composition, a burster, a booster lead, and a safe and arm

(S&A) mechanism. The S&A mechanism consists of an out-of-line spring loaded slider/bore rider containing an explosive lead and a spring loaded setback lock. A propellant assembly is retained in the body forming the complete grenade. The propellant assembly consists of a pyrotechnic delay detonator, a launch propellant, an electric match, and a propellant retainer with electrical contacts.

**Tabulated Data:**

Model -----	M82
Type -----	Smoke, simulant screening
Weight-----	3.1 lb (1.35 kg)
Diameter-----	2.59 in.

Length ----- 9.3 in.  
 Filler ----- 1.8 lb (800 g), titanium dioxide  
 Type ----- Electrical igniting  
 Replaced item ----- None

**Federal Supply Code:**

NSN ----- 1330-01-353-3284  
 DODAC----- 1330-G978  
 Line item number----- G80228  
 Class of supply ----- V  
 See DOD Consolidated Ammunition Catalog for additional data.

**Unit of Issue:**

Each packed ----- 4 grenades per metal container  
 Basic load----- 6 metal containers (24 grenades)

**Packing Data:**

**Metal container:**

Model ----- M2A1  
 Weight w/contents ----- 19.2 lb (8.71 kg)  
 Length ----- 12-1/32 in.  
 Width ----- 6-3/32 in.  
 Height ----- 7-1/2 in.  
 Cube ----- 0.32 cu ft

**Pallet (96 metal containers):**

Weight w/contents ----- 1994 lb (905 kg)  
 Length ----- 36-7/8 in.  
 Width----- 30-7/8 in.  
 Height ----- 48-1/2 in.  
 Cube ----- 42 cu ft

**Shipping and Storage Data:**

Hazard class/division and storage compatibility group ----- (02) 1.2G

DOT class----- Class A explosive  
 DOT marking ----- PROJECTILES

**Functioning:**

The grenades are loaded into the launching device. The electrical system is initiated to activate the electric match. The functioning of the electric match ignites the propellant charge which simultaneously ignites the delay element. Pressure builds up in the base and the grenade is ejected from the launcher device. During flight of the grenade, the delay element burns through and ignites the burster charge. The burning time of the delay element is approximately 1.7 seconds. The burster charge ruptures the plastic grenade body and disperses the mixture which forms a white smoke screen within 2 seconds after firing. A salvo of grenades produces a smoke cloud approximately 30 meters forward of the launcher, seven meters high, and obscuring a front of over a 110 degree arc. Cloud duration is approximately 45 60 seconds depending upon weather conditions.

**References:**

TM 3-1040-268-20&P  
 TM 9-1330-200-12  
 TM 9-1330-34  
 FM 23-30  
 DOD Consolidated Ammo Catalog  
 DARCOM-P 1700-3-5

**Drawings:**

Top drawing ----- 13-19-290  
 Marking drawing----- 13-19-302  
 Packing drawing----- 13-19-300  
 Pallet drawing----- 13-19-303  
 Marking ammunition container drawing----- 13-19-301



By Order of the Secretary of the Army:

Official:

GORDON R. SULLIVAN  
*General, United States Army*  
*Chief of Staff*

MILTON H. HAMILTON  
*Administrative Assistant to the*  
*Secretary of the Army*  
07280

Distribution:

To be distributed in accordance with DA Form 12-34-E, Block 0931, requirements for TPM 43-0001-29.

RECOMMENDED CHANGES TO EQUIPMENT TECHNICAL PUBLICATIONS



*THEN...JOT DOWN THE  
DOPE ABOUT IT ON THIS FORM.  
CAREFULLY TEAR IT OUT, FOLD IT  
AND DROP IT IN THE MAIL.*

**SOMETHING WRONG WITH PUBLICATION**

FROM: (PRINT YOUR UNIT'S COMPLETE ADDRESS)

DATE SENT

PUBLICATION NUMBER

PUBLICATION DATE

PUBLICATION TITLE

**BE EXACT PIN-POINT WHERE IT IS**

PAGE  
NO.

PARA-  
GRAPH

FIGURE  
NO.

TABLE  
NO.

**IN THIS SPACE, TELL WHAT IS WRONG  
AND WHAT SHOULD BE DONE ABOUT IT.**

TEAR ALONG PERFORATED LINE

PRINTED NAME, GRADE OR TITLE AND TELEPHONE NUMBER

SIGN HERE

