

FM 3-34.2

(formerly FM 90-13-1)

This reprint includes
Changes 1 through 3.

Combined-Arms Breaching Operations

Headquarters,
Department of the Army

DISTRIBUTION RESTRICTION: Approved for public release; distribution is unlimited.

Change 3

Headquarters
Department of the Army
Washington, DC, 11 October 2002

Combined-Arms Breaching Operations

1. Change FM 3-34.2, 31 August 2000, as follows:

Remove Old Pages

Insert New Pages

E-13

E-13

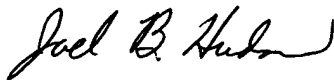
2. A bar (I) marks new or changed material.
3. File this transmittal sheet in front of the publication.

DISTRIBUTION RESTRICTION: Approved for public release; distribution is unlimited.

By Order of the Secretary of the Army:

ERIC K. SHINSEKI
General, United States Army
Chief of Staff

Official:



JOEL B. HUDSON
Administrative Assistant to the
Secretary of the Army
0226801

DISTRIBUTION:

Active Army, Army National Guard, and US Army Reserve: To be distributed in accordance with the initial distribution number 115012, requirements for FM 3-34.2.

Change 2

Headquarters
Department of the Army
Washington, DC, 26 February 2001

Combined-Arms Breaching Operations

1. Change FM 3-34.2, 31 August 2000, as follows:

Remove Old Pages

Insert New Pages

C-13 and C-14

C-13 and C-14

2. A bar (|) marks new or changed material.
3. File this transmittal sheet in front of the publication.

DISTRIBUTION RESTRICTION: Approved for public release; distribution is unlimited.

By Order of the Secretary of the Army:

ERIC K. SHINSEKI
General, United States Army
Chief of Staff

Official:



JOEL B. HUDSON

Administrative Assistant to the
Secretary of the Army
0102307

DISTRIBUTION:

Active Army, Army National Guard, and U.S. Army Reserve: To be distributed in accordance with the initial distribution number 115012, requirements for FM 3-34.2.

Change 1

Headquarters
Department of the Army
Washington, DC, 15 November 2000

Combined-Arms Breaching Operations

1. Change FM 3-34.2, 31 August 2000, as follows:

Insert New Pages

E-1 through E-13

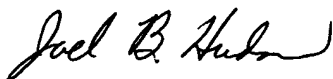
2. A bar (I) marks new or changed material.
3. File this transmittal sheet in front of the publication.

DISTRIBUTION RESTRICTION: Approved for public release; distribution is unlimited.

By Order of the Secretary of the Army:

ERIC K. SHINSEKI
General, United States Army
Chief of Staff

Official:



JOEL B. HUDSON
Administrative Assistant to the
Secretary of the Army
0030702

DISTRIBUTION:

Active Army, Army National Guard, and US Army Reserve: To be distributed in accordance with the initial distribution number 115012, requirements for FM 3-34.2.

Combined-Arms Breaching Operations

Contents

| | Page |
|---|------|
| PREFACE | iv |
| Chapter 1 OBSTACLE BREACHING THEORY | 1-1 |
| Definitions | 1-1 |
| Breaching Tenets | 1-4 |
| Intelligence..... | 1-4 |
| Breaching Fundamentals..... | 1-6 |
| Breaching Organization | 1-7 |
| Mass | 1-11 |
| Synchronization | 1-13 |
| Breaching Operations in Support of Deliberate and Hasty Attacks..... | 1-18 |
| Planning Sequence | 1-18 |
| Chapter 2 BREACHING OPERATIONS | 2-1 |
| Planning | 2-1 |
| Receipt of Mission | 2-1 |
| Mission Analysis | 2-3 |
| Course-of-Action Development..... | 2-4 |
| Course-of-Action Analysis (War Game)..... | 2-9 |
| Preparation..... | 2-10 |
| Execution | 2-12 |

Distribution Restriction: Approved for public release; distribution is unlimited.

*This publication supersedes Field Manuals (FMs) 5-101, 23 January 1985, and 90-13-1, 28 February 1991.

| | Page |
|--|-------------|
| Chapter 3 | |
| LANE AND BYPASS MARKING | 3-1 |
| Lane-Marking System..... | 3-1 |
| Lane-Marking Terms | 3-2 |
| Entrance Markers..... | 3-2 |
| Handrail Markers..... | 3-2 |
| Exit Markers | 3-2 |
| Entrance-Funnel Markers..... | 3-3 |
| Final-Approach Markers..... | 3-3 |
| Far-Recognition Markers..... | 3-3 |
| Traffic-Control Posts and Guides | 3-3 |
| Levels of Lane Marking and Patterns | 3-4 |
| Initial Lane Marking..... | 3-4 |
| Intermediate Lane Marking | 3-6 |
| Full (Two-Way) Lane Marking..... | 3-9 |
| Commander's Guidance for Lane Marking..... | 3-11 |
| Movement Through the Lane | 3-11 |
| Lane Maintenance and Responsibilities of Traffic | |
| Through Lanes | 3-13 |
| Lane-Marking Devices | 3-17 |
| Bypass Marking | 3-19 |
| Marking Requirements Under the North Atlantic | |
| Treaty Organization..... | 3-19 |
| Commanders' Responsibilities..... | 3-19 |
| Marking Patterns and Devices | 3-19 |
| Complex Obstacles | 3-21 |
| Chapter 4 | |
| BREACHING REHEARSALS | 4-1 |
| Planning..... | 4-1 |
| Types..... | 4-1 |
| Combined-Arms Rehearsal..... | 4-1 |
| Battle Drill..... | 4-2 |
| Techniques | 4-2 |
| Appendix A | |
| METRIC CONVERSION CHART | A-1 |
| Appendix B | |
| THREAT MINE OPERATIONS | B-1 |
| Mine Operations | B-1 |
| Foreign-Mine Data..... | B-6 |
| Appendix C | |
| OBSTACLE-REDUCTION TECHNIQUES | C-1 |
| Detecting | C-1 |
| Visual | C-1 |
| Physical..... | C-2 |
| Electronic | C-3 |
| Mechanical..... | C-4 |
| Reporting | C-4 |
| Reducing | C-4 |
| Explosive..... | C-12 |

| | Page |
|---|-----------------------|
| Mechanical..... | C-18 |
| Electronic..... | C-26 |
| Manual..... | C-27 |
| Appendix D BREACHING SCENARIO AND SPECIAL PLANNING CONSIDERATIONS..... | D-1 |
| Sample Breaching Operation..... | D-1 |
| Considerations for Restricted Terrain | D-9 |
| Considerations for Military Operations in Urbanized Terrain | D-11 |
| Planning..... | D-11 |
| Method of Entry | D-12 |
| Obstacle Intelligence | D-14 |
| Breaching Fundamentals..... | D-14 |
| Appendix E ROUTE CLEARANCE..... | E-1 |
| Methods and Levels | E-1 |
| Clearance Methods..... | E-1 |
| Sweep Levels | E-3 |
| Equipment | E-4 |
| Interim Vehicle-Mounted Mine Detector | E-4 |
| MiniFlail..... | E-6 |
| Planning | E-6 |
| Intelligence..... | E-6 |
| Fundamentals | E-7 |
| Organization | E-7 |
| Mass | E-7 |
| Synchronization | E-7 |
| Planning Considerations | E-8 |
| Task Organization | E-12 |
| Support Force..... | E-12 |
| Security Force..... | E-12 |
| Sweep Force..... | E-13 |
| GLOSSARY | Glossary-1 |
| BIBLIOGRAPHY..... | Bibliography-1 |
| INDEX | Index-1 |

Preface

FM 3-34.2 provides combined-arms commanders, from company to brigade, and their staffs with the doctrine, tactics, and techniques needed to successfully overcome obstacles. It provides the commander with breaching fundamentals and information for planning, preparing, and executing breaching operations. This manual gives the coordinating and special staff officer a basis for synchronizing all combat multipliers during a breaching operation.

This is not a stand-alone manual. The user must have a fundamental understanding of the concepts outlined in FMs 5-71-2, 5-71-3, 5-71-100, 17-98, 20-32, 34-130, 71-1, 71-2, 71-3, 100-5, 100-7, 101-5, and 101-5-1. This manual also implements Standardization Agreement (STANAG) 2036.

Appendix A contains a metric conversion chart.

The proponent for this publication is HQ, TRADOC. Send comments and recommendations on Department of the Army (DA) Form 2028 directly to Commandant, United States (US) Army Engineer School, ATTN: ATSE-DOT-DD, Directorate of Training, 320 Engineer Loop, Suite 336, Fort Leonard Wood, Missouri 65473-8929.

Unless this publication states otherwise, masculine nouns and pronouns do not refer exclusively to men.

Chapter 1

Obstacle Breaching Theory

Breaching operations are conducted to allow maneuver despite the presence of obstacles. Obstacle breaching is the employment of a combination of tactics and techniques to advance an attacking force to the far side of an obstacle that is covered by fire. It is perhaps the single, most difficult combat task a force can encounter. Understanding breaching theory is the first step to understanding breaching tactics. Breaching is a synchronized combined-arms operation under the control of a maneuver commander. Breaching operations begin when friendly forces detect an obstacle and begin to apply the breaching fundamentals, and they end when battle handover has occurred between follow-on forces and a unit conducting the breaching operation. *Bulling through* or *forcing through* is not a breaching operation. *Bulling through* is a decision made when a commander must react immediately to extricate his force from an untenable position within an obstacle and no other breaching operations are possible. When a force is in a minefield receiving fires and taking heavy losses, the commander may decide to immediately bull through the minefield rather than withdraw or reduce the obstacle.

DEFINITIONS

1-1. The following definitions are inherent to obstacle breaching and are used throughout this manual:

- **Obstacle.** An obstacle is any obstruction that is designed or employed to disrupt, fix, turn, or block the movement of an opposing force (OPFOR) and to impose additional losses in personnel, time, and equipment on the OPFOR. Obstacles can exist naturally (existing), be man-made (reinforcing), or be a combination of both. A complex obstacle is a combination of different types of individual obstacles that requires more than one reduction technique (explosive, mechanical, manual) to create a lane through the obstacle. A reinforcing obstacle is an obstacle that is specifically constructed, emplaced, or detonated through military effort. (For more information on obstacle classification, see *FM 90-7*.) The types of reinforcing obstacles are—
 - **Tactical.** A tactical obstacle is employed to disrupt enemy formations, turn them into a desired area, fix them in position under direct and indirect fires, or block their penetration while multiplying the effects and capabilities of firepower.
 - **Protective.** A protective obstacle is employed to assist a unit in its local, close-in protection.

- **Lane.** A lane is a route through, over, or around an enemy or friendly obstacle that provides safe passage of a passing force. The route may be reduced and proofed as part of a breaching operation, be constructed as part of the obstacle, or be marked as a bypass.
- **Reduction.** This is a task to create and mark lanes through, over, or around an obstacle to allow the attacking force to accomplish its mission. Normally, engineers and reduction assets are used to reduce an obstacle.
- **Proofing.** Proofing verifies that a lane is free of mines and that the width and trafficability of the point of breach are suitable for the assault force. Proofing can be conducted visually (against surface-laid minefields), electronically (mine detectors), or mechanically (mine-clearing rollers [MCRs]). Proofing is conducted when the risk of live mines remaining in the lane exceeds the risk of loss (lives and equipment) to enemy fires while waiting to complete proofing. Some mines are resistant to some reduction assets; for example, magnetically fused mines may be resistant to a mine-clearing line charge (MICLIC). Proofing is vitally important, considering the vast variety of mines in use. It should always be planned for a breaching operation; however, the time available, the threat, or the mission may dictate that proofing not be done.
- **Clearing.** This is the total elimination or neutralization of an obstacle or a portion of the obstacle. Clearing operations are not conducted under fire and are usually performed by follow-on engineer forces.
- **Breach area.** The breach area is established and fully defined by the higher headquarters (HQ) of the unit conducting breaching operations. It is the area where a breaching operation occurs. The area must be large enough to allow the attacking unit to deploy its support force and extend far enough on the far side of the obstacle to allow follow-on forces to deploy before leaving the breach area. One technique is to establish the breach area using phase lines (PLs) or unit boundaries. The PL defining the far side of the breach area may be established as a battle handover line (BHL).
- **Farside objective.** The farside objective is the immediate objective of the attacking unit's assault force, and it may be oriented by the terrain or the enemy force. The higher HQ assigns the objective; however, the attacking unit normally subdivides the objective into smaller objectives to assign responsibilities and to control and focus the assault of subordinate forces. When breaching as part of a larger force, seizing the farside objective provides the necessary maneuver space for the higher unit's follow-on forces to move securely through the lanes, assemble or deploy, and continue the attack without enemy interference.
- **Bypass.** A bypass is a tactical task that involves maneuvering around an obstacle, a position, or an enemy force to maintain the momentum of advance. When a unit bypasses an obstacle, it physically changes the direction of movement to avoid the obstacle. This must be done with caution because it might play into the enemy's hand. Bypassed obstacles and enemy forces are reported to higher HQ.

- **Point of penetration.** This is the location, which is identified on the ground, where the commander concentrates his efforts at the enemy's weakest point to seize a foothold on the farside objective. This is achieved along a narrow front through maneuver and direct and indirect fires that are accurately placed against enemy forces. A commander conducting a breaching operation establishes a point of penetration that supports planning locations for the reduction area and the seizure of the farside objective.
- **Reduction area.** This is a number of adjacent points of breach that are under the control of the breaching commander. The commander conducting the attack determines the size and location of the reduction area that supports the seizure of a point of penetration (see *Figure 1-1*).
- **Point of breach.** This is the location at an obstacle where the creation of a lane is being attempted. Initially, points of breach are planned locations only. Normally, the breach force determines the actual points of breach during the breaching operation.

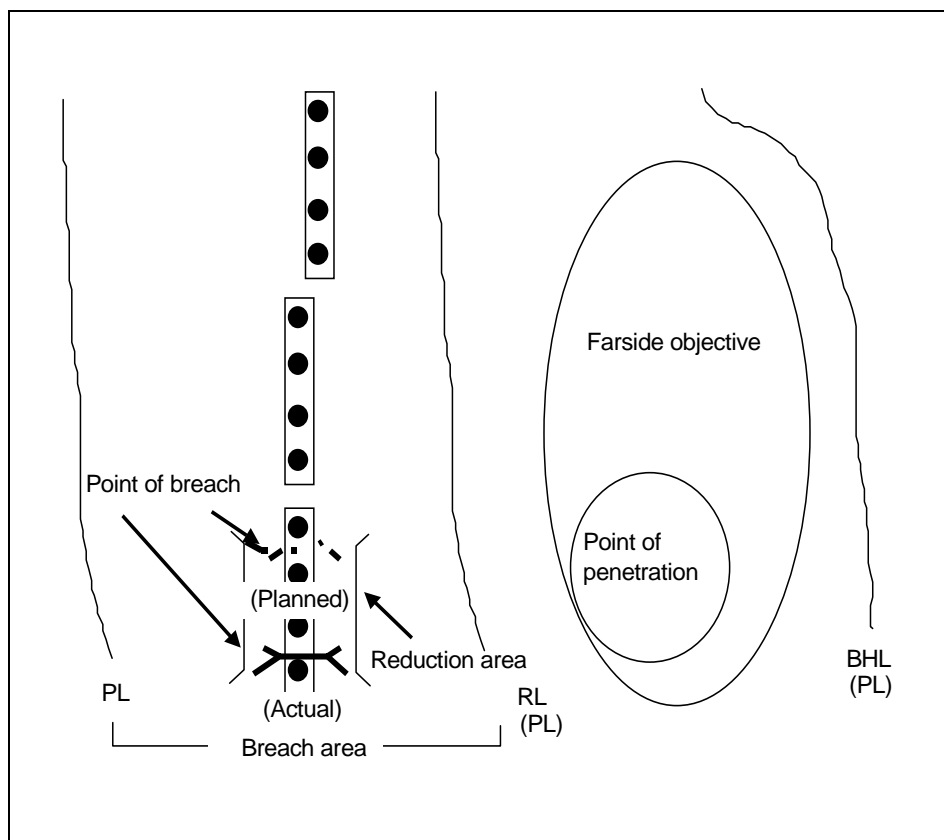


Figure 1-1. Breach Area

BREACHING TENETS

1-2. Successful breaching operations are characterized by applying breaching tenets. These tenets should be applied whenever an obstacle is encountered in the area of operations (AO), whether during an attack or during a route clearance operation. The tenets are—

- Intelligence.
- Breaching fundamentals.
- Breaching organization.
- Mass.
- Synchronization.

INTELLIGENCE

1-3. Success depends largely on the force commander's ability to *see the battle space*. He must identify how the enemy is using the terrain to minimize the risk of surprise. This is particularly true when attempting to counter the enemy's use of obstacles. The force commander does this with the intelligence preparation of the battlefield (IPB) process. During the IPB process, the situation template (SITEMP) is developed. The SITEMP is a graphic depiction of expected threat dispositions based on threat doctrine and the effects of the battle space for a particular course of action (COA). Based on the commander's estimates, the staff develops a SITEMP for multiple enemy COAs. The SITEMP helps drive the maneuver planning in support of war gaming and the development of the event template. The SITEMP also drives the decisions the commander must be prepared to make. The commander uses the decision-support template (DST) to convey these decisions in graphic form. The IPB process helps achieve success by focusing available intelligence-gathering assets toward answering the commander's priority intelligence requirements (PIR). Intelligence that is gathered later by recon becomes the foundation for developing and revising a SITEMP. (See *Appendix B* for information on threat mine operations.)

1-4. Time-constrained planning requires the rapid development of the enemy's SITEMP. A minimal SITEMP, complete with templated obstacles, allows the development of an initial event template and provides initial PIR for the intelligence-collection plan (ICP). At a minimum, the unit can template an obstacle trace that is precise, as far as the location, and represents the total expected enemy countermobility effort but does not depict individual obstacles. The staff plots the actual composition of the trace based on incoming obstacle reports. Adequate time for intelligence collection is critical in developing an accurate picture of the battle space, yet time is normally in short supply. While templating is essential to focus the ICP, too much time can be spent on templating at the expense of intelligence, surveillance, and reconnaissance (ISR).

1-5. In any operation where enemy obstacles can interfere with friendly maneuver, obstacle intelligence (OBSTINTEL) is always one of the information requirements (IR) and should become PIR. Finding enemy obstacles or seeing enemy obstacle activity validates and refines the Intelligence Officer's (US Army) (S2's) picture of the battle space.

OBSTINTEL helps the S2 determine the enemy's intentions, plans, and defense strength. The force engineer is the unit's expert on enemy countermobility capabilities. He assists the S2 in templating enemy obstacles, analyzing OBSTINTEL, and analyzing the effects of terrain.

1-6. An unverified enemy template can lead to disaster because the force may aim an attack at the wrong place. Units may deploy to reduce expected obstacles early, wasting mission time to *feel* their way into nonexistent obstacles; or they may blunder into an unexpected obstacle or an enemy engagement area (EA).

1-7. OBSTINTEL can be a critical indicator to verify an enemy template. The force's Operations and Training Officer (US Army) (S3), S2, and engineer establish effective OBSTINTEL collection by determining specific obstacle IR. Examples of information that is needed to fulfill obstacle IR include—

- The location of existing and reinforcing obstacles.
- The orientation and depth of obstacles.
- Conditions of the soil (in the case of a minefield) to determine the ability to use tank plows.
- The presence, location, and type of wire.
- Lanes and bypasses.
- The composition of the minefield (buried or surface-laid antitank [AT] and antipersonnel [AP] mines, antihandling devices [AHDs], and the depth of the mines).
- Types of mines and fuses.
- The location of enemy indirect-fire systems that can fire into the breach area.
- The composition of complex obstacles.
- Areas between successive obstacle belts.

1-8. OBSTINTEL is particularly important for discovering the types of mines and mine fuses the enemy has employed. The engineer depends on this information since he must determine which reduction techniques offer the best chance for success and minimize the risk to the breach force. This may require a dismounted recon patrol to examine mines within a minefield. The enemy may employ security patrols, have forces overwatching the obstacle, or place forces within the obstacle to prevent obstacle recon.

1-9. Obtaining OBSTINTEL requires dedicated collection assets. These assets identify survivability positions and obstacle emplacement activity. Aviation units, who are tasked to perform recon in the area, may be able to provide valuable OBSTINTEL information. Ground-surveillance radar may also provide useful information.

1-10. Recon forces should have the capability to collect OBSTINTEL. To be successful in this collection, the obstacle recon efforts must be tied into the maneuver force's overall reconnaissance and surveillance (R&S) plan. A force ensures this capability by training dedicated recon assets on collecting required obstacle information or by augmenting recon forces with engineer recon teams provided by the supporting engineer force. An engineer recon team moves with scouts or a patrol and conducts dismounted recon of

templated or confirmed obstacles. This team has the flexibility to dismount and develop the details of the obstacle. Personnel engaged in a recon mission for OBSTINTEL should be used rarely, if ever, to reduce obstacles during the mission; although they make ideal guides to breach forces for subsequent breaching operations. Inadvertent detonation during reduction may compromise engineers and scouts, defeating the recon mission. It may also compromise the entire attack. *FM 5-170* describes capabilities, limitations, and employment concepts of engineer recon teams.

BREACHING FUNDAMENTALS

1-11. Suppress, obscure, secure, reduce, and assault (SOSRA) are the breaching fundamentals that must be applied to ensure success when breaching against a defending enemy. These fundamentals will always apply, but they may vary based on the specific battle-space situation (mission, enemy, terrain, troops, time available, and civilian considerations [METT-TC]).

Suppress

1-12. Suppression is a tactical task used to employ direct or indirect fires or an electronic attack on enemy personnel, weapons, or equipment to prevent or degrade enemy fires and observation of friendly forces. The purpose of suppression during breaching operations is to protect forces reducing and maneuvering through an obstacle.

1-13. Effective suppression is a mission-critical task performed during any breaching operation. Suppressive fires in sufficient volume serve to secure the reduction area. Successful suppression generally triggers the rest of the actions at the obstacle. Fire control measures ensure that all fires are synchronized with other actions at the obstacle. Although suppressing the enemy overwatching the obstacle is the mission of the support force, the breach force should be able to provide additional suppression against an enemy that the support force cannot effectively suppress.

Obscure

1-14. Obscuration must be employed to protect forces conducting obstacle reduction and the passage of assault forces. Obscuration hampers enemy observation and target acquisition and conceals friendly activities and movement. Obscuration smoke deployed on or near the enemy's position minimizes its vision. Screening smoke employed between the reduction area and the enemy conceals movement and reduction activities. It also degrades enemy ground and aerial observations. Obscuration must be carefully planned to provide maximum degradation of enemy observation and fires, but it must not significantly degrade friendly fires and control.

Secure

1-15. Friendly forces secure the reduction area to prevent the enemy from interfering with obstacle reduction and the passage of the assault force through the lanes created during the reduction. Security must be effective against outposts and fighting positions near the obstacle and against

overwatching units, as necessary. The far side of the obstacle must be secured by fires or be occupied before attempting any effort to reduce the obstacle. The attacking unit's higher HQ has the responsibility to isolate the breach area by fixing adjacent units, attacking enemy reserves in depth, and providing counterfire support.

1-16. Identifying the extent of the enemy's defenses is critical before selecting the appropriate technique to secure the point of breach. If the enemy controls the point of breach and cannot be adequately suppressed, the force must secure the point of breach before it can reduce the obstacle.

1-17. The breach force must be resourced with enough maneuver assets to provide local security against the forces that the support force cannot sufficiently engage. Elements within the breach force that secure the reduction area may also be used to suppress the enemy once reduction is complete.

Reduce

1-18. Reduction is the creation of lanes through or over an obstacle to allow an attacking force to pass. The number and width of lanes created varies with the enemy situation, the assault force's size and composition, and the scheme of maneuver. The lanes must allow the assault force to rapidly pass through the obstacle. The breach force will reduce, proof (if required), mark, and report lane locations and the lane-marking method to higher HQ. Follow-on units will further reduce or clear the obstacle when required. Reduction cannot be accomplished until effective suppression and obscuration are in place, the obstacle has been identified, and the point of breach is secure. Obstacle-reduction techniques are discussed in more detail in *Appendix C*.

Assault

1-19. A breaching operation is not complete until—

- Friendly forces have assaulted to destroy the enemy on the far side of the obstacle that is capable of placing or observing direct and indirect fires on the reduction area.
- Battle handover with follow-on forces has occurred, unless no battle handover is planned.

BREACHING ORGANIZATION

1-20. A commander organizes friendly forces to accomplish the breaching fundamentals quickly and effectively. This requires him to organize support, breach, and assault forces with the necessary assets to accomplish their roles (see *Table 1-1*, page 1-8).

Table 1-1. Relationship Between Breaching Organization and Breaching Fundamentals

| Breaching Organization | Breaching Fundamentals | Responsibilities |
|-------------------------------|---|---|
| Support force | Suppress Obscure | Suppress enemy direct-fire systems covering the reduction area. Control obscuring smoke. Prevent enemy forces from repositioning or counterattacking to place direct fires on the breach force. |
| Breach force | Suppress (provides additional suppression) Obscure (provides additional obscuration in the reduction area) Secure (provides local security) Reduce | Create and mark the necessary lanes in an obstacle. Secure the nearside and far side of an obstacle. Defeat forces that can place immediate direct fires on the reduction area. Report the lane status/location. |
| Assault force | Assault Suppress (if necessary) | Destroy the enemy on the far side of an obstacle that is capable of placing direct fires on the reduction area. Assist the support force with suppression if the enemy is not effectively suppressed. Be prepared to breach follow-on and/or protective obstacles after passing through the reduction area. |

Support Force

1-21. The support force's primary responsibility is to eliminate the enemy's ability to interfere with a breaching operation. It must—

- Isolate the reduction area with fires.
- Mass and control direct and indirect fires to suppress the enemy and to neutralize any weapons that are able to bring fires on the breach force.
- Control obscuring smoke to prevent enemy-observed direct and indirect fires.

1-22. Suppression is critical for a successful breaching operation; therefore, allocation of adequate forces to the support force is essential. The commander must allocate enough direct- and indirect-fire systems to the support force to allow it to accomplish its missions. When resourcing the support force, consider the losses it will receive as it fights its way into its support-by-fire (SBF) position. To increase the survivability of the support force, the commander may establish critical friendly zones (CFZs) in support of the support force once it has occupied its SBF positions. A CFZ is an area, usually a friendly unit or location, that the maneuver commander designates as critical to protect an asset whose loss would seriously jeopardize the mission. Covered by a radar sector, the CFZ supports counterfire operations by providing the most responsive submission of targets to the fire-support system when rounds impact inside the CFZ. (For more detailed information on CFZs, see *FM 6-121*.)

1-23. The support force must seize an SBF position, seeking maximum protection from the terrain. If possible, the support force should follow a covered or concealed route to the SBF position, take up its assigned sectors of fire and observation, and begin to engage the enemy. It may have to make some adjustments to its direct-fire plan if the situation dictates. Observation is particularly critical. Artillery observers with the support force may initially bring indirect fires on enemy positions to fix and suppress the enemy. The support force adjusts the artillery-delivered obscuring smoke, if necessary, to protect the breach and assault forces as they approach the reduction area.

Breach Force

1-24. The breach force assists in the passage of the assault force by creating, proofing (if necessary), and marking lanes. (For more information on the initial lane-marking pattern, see *Chapter 3*.) The breach force is a combined-arms force. It includes engineers, reduction assets, and enough maneuver forces to provide additional suppression and local security. The breach force may apply portions of the following breaching fundamentals as it reduces an obstacle:

- **Suppress.** The breach force must be allocated enough maneuver forces to provide additional suppression against various threats, including—
 - Enemy direct-fire systems that cannot be effectively observed and suppressed by the support force due to the terrain or the masking of the support force's fires by the breach force as it moves forward to reduce the obstacle.
 - Counterattacking and/or repositioning forces that cannot be engaged by the support force.
- **Obscure.** The breach force employs vehicle-mounted smoke systems and smoke pots, if necessary, for self-defense and to cover lanes while the assault force is passing.
- **Secure.** The breach force secures itself from dismounted threat forces who are providing close-in protection of the obstacle. The breach force also secures the lanes through the tactical obstacles, once they are created, to allow safe passage of the assault force.
- **Reduce.** The breach force performs its primary mission of reducing the obstacle. To support the development of a plan to reduce the obstacle, the composition of the obstacle system must be an IR.
- **Assault.** The breach force assaults through the point of breach to the far side of an obstacle and seizes the reduction area.

1-25. The breach force is comprised of two subordinate elements—security and reduction:

- **Security element.** The security element is comprised primarily of maneuver forces. It is normally responsible for providing additional suppression, obscuration, and local security.
- **Reduction element.** The reduction element is comprised primarily of reduction assets (mine-clearing blades [MCBs], MICLICs, armored vehicle-launched bridges [AVLBs], armored combat earthmovers

[ACEs], dismounted engineers, and so forth). It is normally responsible for reducing the obstacle.

Chapter 2 provides more details on the roles, responsibilities, and command and control (C²) of the security and reduction elements.

1-26. The breach force must be able to deploy and begin reducing the obstacle as soon as enemy fires have been suppressed and effective obscuration is achieved. It can expect enemy artillery fires within a matter of minutes. CFZs should be activated at the point of breach before the commitment of the breach force.

1-27. Engineers within the breach force are allocated with the reduction assets necessary to clear mines, nonexplosive obstacles, and small gaps. Scouts, engineers, or other recon assets are also capable of finding local bypasses or existing lanes in the obstacle system.

1-28. The commander allocates engineers and reduction assets based on the number of lanes required, the terrain, and the type of obstacle. The breach force must be able to create a minimum of one lane for each assaulting company or two lanes for the assaulting task force (TF).

1-29. The commander should plan for a 50 percent loss of mobility assets in close combat. As a planning factor, he should allocate one engineer platoon with the necessary reduction assets to create and mark one lane.

1-30. After the breach force has reduced the obstacle and passed the assault force through, the breach force may be required to hand over the lane to follow-on units. At a minimum, the lanes must be marked and their locations and conditions reported to higher HQ and follow-on units as prescribed in the unit's standing operating procedures (SOP).

Assault Force

1-31. The assault force's primary mission is to destroy the enemy and seize terrain on the far side of the obstacle to prevent the enemy from placing direct fires on the created lanes. The assault force may be tasked to assist the support force with suppression while the breach force reduces the obstacle.

1-32. The assault force must be sufficient in size to seize the point of penetration. Combat power is allocated to the assault force to achieve a minimum 3:1 ratio on the point of penetration. In a breaching operation, particularly TF and above, the assault force normally maneuvers as a separate force attacking through a reduced obstacle. However, breach and assault assets may maneuver as a single force when conducting lower-level breaching operations, such as an independent company team conducting an attack.

1-33. If the obstacle is defended by a small enemy force, assault and breach forces' missions may be combined. This simplifies C² and provides more immediate combat power for security and suppression.

1-34. Fire control measures are essential, since support and breach forces may be firing on the enemy when the assault force is committed. Suppression of overwatching enemy positions must continue and other enemy forces must remain fixed by fires until the enemy has been destroyed. The assault force

must assume control for direct fires on the assault objective as support and breach forces' fires are lifted or shifted.

MASS

1-35. Breaching is conducted by rapidly applying concentrated efforts at a point to reduce the obstacle and penetrate the defense. Massed combat power is directed against the enemy's weakness. The location selected for breaching depends largely on the weakness in the enemy's defense, where its covering fires are minimized. If friendly forces cannot find a natural weakness, they create one by fixing the majority of the enemy force and isolating a small portion of it for attack.

Support Force

1-36. The support force suppresses the enemy to eliminate effective fires on the breach force. Smoke and terrain are used to help isolate the force under attack. Suppression requires the commander to mass enough overwatching direct fires to protect the breach force.

1-37. Normally, the TF isolates and destroys platoon-size elements in succession, starting with the platoon identified as the easiest to overwhelm. In *Figure 1-2*, the TF commander employs a tank company team to fix two defending platoons and uses screening smoke (target AA1102) to help isolate the platoon selected for attack. Objective (OBJ) Cowboy has been identified by the TF commander as the point of penetration. The center and eastern platoons are suppressed by direct and indirect fires from a second tank company team.

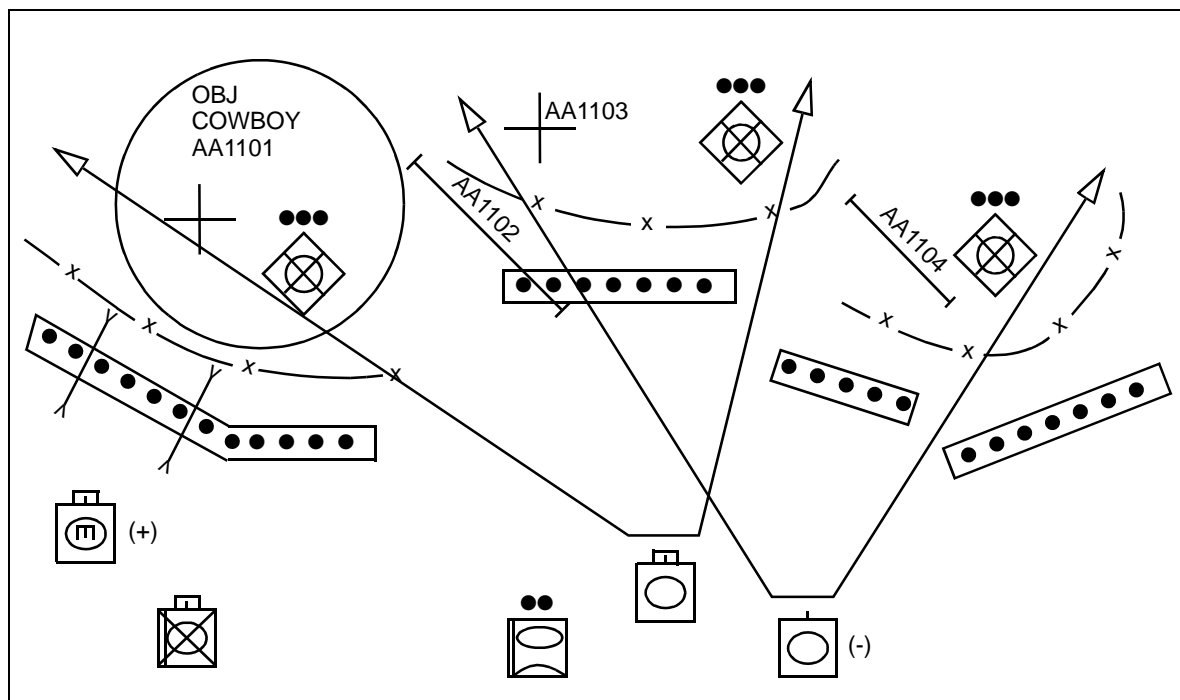


Figure 1-2. Technique for Achieving Mass in the Breach

1-38. The support force should be provided with reduction assets to reduce the impact that unexpected obstacles or scatterable minefields have on their approach to and occupation of SBF positions. Failure to do so may greatly impact on synchronizing the entire breaching operation. As a technique, a unit may create a mobility reserve that supports the main effort throughout the operation. Initially, the mobility reserve may support the support force until it has seized its SBF positions and then shift its support to the breach or assault force.

Breach Force

1-39. The commander also masses engineers and reduction assets to reduce the obstacle. The breach force is organized and equipped to use several different reduction techniques in case the primary technique fails; for example, if a key vehicle is destroyed or if casualties render dismounted engineers ineffective. Additional reduction assets are present to handle the unexpected. Normally, 50 percent more reduction assets than required for obstacle reduction are positioned with the breach force.

1-40. The breach force masses reduction efforts against the obstacle to ensure that it will successfully create enough lanes. A mounted TF-size assault force requires at least two lanes, but more lanes will speed passage through the danger area. The breach force attempts to simultaneously create as many lanes as necessary to ensure the rapid passage of the assault force through the obstacle system. This may require the breach force to simultaneously use a combination of mechanical, explosive, and manual techniques. For example, an engineer platoon may use two MICLICs as the primary technique to reduce a minefield. As soon as the engineer platoon fires the second MICLIC, engineer squads employ manual explosive techniques to create three additional lanes through the minefield. The commander must carefully plan and synchronize the creation of additional lanes to reduce the potential for fratricide with assaulting troops. The distance between the lanes depends on the enemy, the terrain, the need to minimize the effects of enemy artillery, the direct-fire plan of the support force, C^2 , and reduction-site congestion.

Assault Force

1-41. Achieving necessary mass for the assault requires the breach force to open enough lanes through the obstacle to permit rapid passage and the buildup of forces on the farside. The size of the assault force determines the number of lanes initially created. A mounted TF requires one lane per assaulting company team. A dismounted assault force requires one lane for each leading assault platoon. The tactical situation may require additional lanes to quickly pass a large assault force through the obstacle to achieve sufficient combat-power ratio.

1-42. The principle of mass influences the selection of the point of breach; the task organization of the support, breach, and assault forces; and the integration of engineers in movement or attack formations. *Figure 1-2*, page 1-11, shows a technique to achieve mass in the breach.

1-43. The need to generate enough mass and the maneuver space available strongly influence which echelon can conduct the breaching operation. A

company team cannot simultaneously mass sufficient fires, reduce the obstacle, and assault the defending position unless it is a simple obstacle defended by no more than one platoon. A TF should have a combat-power ratio of 3:1 to reduce an obstacle defended by a company, and a TF is normally the echelon used to execute a breach. A brigade has sufficient combat power to attack a complex, well-defended obstacle; but a brigade has difficulty deploying all its combat power within range. Normally, a brigade breaches by isolating a small segment of the defense (platoon or company) that the TF can then attack as the breaching echelon. If obstacles and defenses are in-depth, mass is achieved by passing additional TFs through the obstacle to continue the attack.

SYNCHRONIZATION

1-44. Breaching operations require precise synchronization of the breaching fundamentals by support, breach, and assault forces. Failure to synchronize effective suppression and obscuration with obstacle reduction and assault can result in rapid, devastating losses of friendly troops in the obstacle or the enemy's EA.

1-45. A combined-arms breach is a complex operation by nature. Support, breach, and assault forces must apply the SOSRA breaching fundamentals within a short time and distance. The support force masses its direct fires and controls indirect fires in concert with breach and assault forces' maneuvers. The commander must employ smoke at the right time and place to maximize its effectiveness or risk hampering his own target acquisition and C². The breach force must have the right reduction asset for the type of obstacle encountered. Engineers must ensure that they do not prematurely exhaust reduction assets needed to reduce subsequent obstacles. *Table 1-2*, page 1-14, shows the complexity of a combined-arms breach.

1-46. The commander ensures synchronization through proper planning and force preparation. Fundamentals to achieve synchronization are—

- Detailed reverse planning.
- Clear subunit instructions.
- Effective C².
- Well-rehearsed forces.

Detailed Reverse Planning

1-47. Synchronizing a combined-arms breach begins by using the reverse-planning process to ensure that actions at obstacles support actions on the objective. Planning the breach without regard to actions on the objective leads to disaster. During COA development, the staff analyzes the relative combat power and compares enemy and friendly strengths and weaknesses. The staff then generates options based on the commander's guidance and arrays the forces necessary to accomplish the mission. The staff develops the options by analyzing the objective and allocating forces to accomplish the mission. The commander decides how he must attack the objective to accomplish his mission. This decision drives where, how, and with what force he must support, breach, and assault through the enemy's obstacles. The commander approves the scheme of maneuver for the breaching phase of the operation

Table 1-2. Breach Complexity

| Action | Element | Time (Minutes) | Controlled By |
|---|----------------------|----------------|---------------|
| Develop the situation (verify the boundary of the enemy obstacle system). | Force in contact | M to 2 | S3 |
| Maneuver the support force into the overwatch position. | Support | M + 2 to 15 | Support cdr |
| Maneuver the assault force into the covered assault position. | Assault | M + 2 to 15 | Assault cdr |
| Call for artillery. | DS artillery | M + 2 to 15 | FSO |
| Build smoke. | Mortars | M + 5 to 10 | FSO |
| Suppress the enemy with direct fires. | Support | M + 15 to 29 | Support cdr |
| Suppress the enemy with artillery fires. | DS artillery | M + 10 to 29 | FSO |
| Maintain smoke. | DS artillery/mortars | M + 10 to 30 | FSO |
| Maneuver the breach force to the breach location. | Breach | M + 20 to 23 | Reduction cdr |
| Reduce the obstacle, and prepare two lanes. | Breach | M + 23 to 30 | Engineer ldr |
| Place smoke pots. | Breach | M + 23 to EOM | Reduction cdr |
| Shift direct fires off the objective. | Support | M + 29 to 30 | Assault cdr |
| Shift indirect fires beyond the objective. | DS artillery | M + 29 to 30 | Assault cdr |
| Assault to destroy the enemy on the far side of the obstacle. | Assault | M + 30 to 45 | Assault cdr |
| Reorganize to continue the mission. | TF | M + 45 to EOM | S3 |
| NOTE: M = Contact with the obstacle | | | |

that achieves adequate suppression, obscuration, and security. He also creates sufficient lanes to rapidly project combat power on the point of penetration and the far side of the objective, not just to the far side of the obstacle. Reverse planning gives purpose to the breaching plan that supports mission accomplishment.

1-48. The commander begins developing COAs as discussed in *FM 101-5*. He determines relative combat-power ratios, generates options, and arrays forces to accomplish the mission. He then develops the scheme of maneuver, including actions on the objective. In *Figure 1-3*, a three-company-team TF is conducting a deliberate attack to destroy a motorized infantry company (MIC) in the defense. The commander believes seizing OBJ Cat to be decisive. This is the point from which reverse planning of actions on the objective begins. The commander uses Team C to seize the initial foothold (OBJ Bird) (point of penetration) into the enemy's defense. The focus of breach planning is to get Team C to its objective. The number and location of lanes are driven by Team C's maneuver on OBJ Bird as the assault force. The commander now plans how the breach force must maneuver to reduce the obstacle. Supporting fires from Company A and Team B in SBFs 15 and 25 are planned to support the reduction of the obstacle and the assault on the objective. Reverse planning continues to drive the maneuver formation to ensure that forces are in the correct relative positions to accomplish their missions.

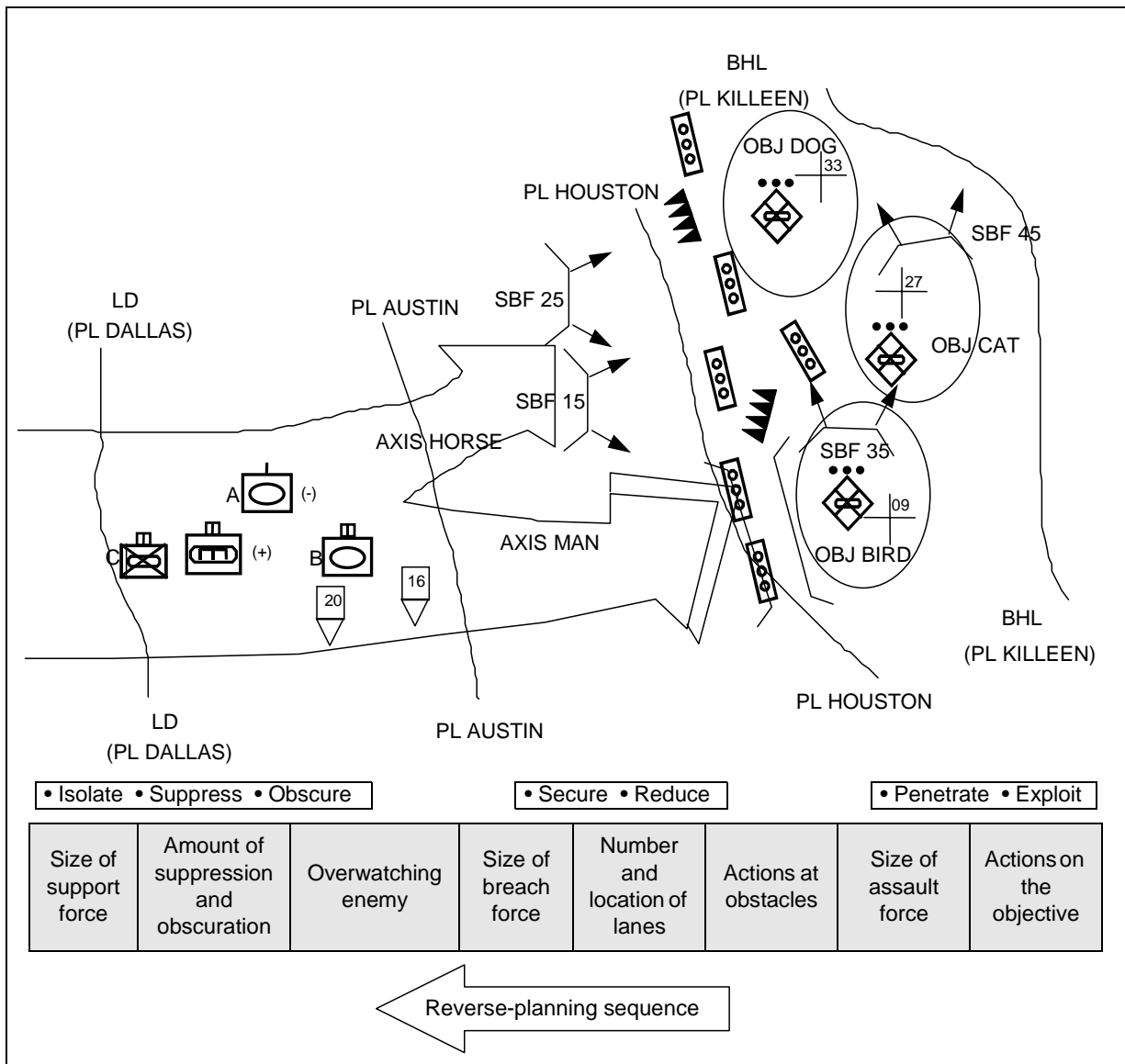


Figure 1-3. Reverse Planning

Clear Subunit Instructions

1-49. Subordinate units must clearly understand their missions, how their missions relate to the phases of the operation, and what role adjacent units play in the overall plan. The commander may use an execution matrix to synchronize his forces. An execution matrix is a superb synchronization tool, and it lists subunit instructions sequentially in relation to key events or the sequence of the attack. It also provides subordinate commanders with an understanding of how their missions and those of adjacent units fit into the overall plan. More importantly, it allows subordinates to better track the battle and coordinate their own maneuver with that of adjacent units. This is critical to achieving unity of effort between support, breach, and assault

forces. Figure 1-4 shows a sample execution matrix for the scheme of maneuver in Figure 1-3, page 1-15.

| | Company A (Support Force) | Team B (Support/ Assault Force) | Team C (Assault Force) | Team Engineer (Breach Force) | |
|----------------------------|---|---|--|--|----------------------------|
| Units | | | | | Force Allocation |
| | | | | | |
| | | | | | |
| LD to PL Austin | Move to left of Team B; echelon left. | Lead TF. | Trail team engineer. | Trail Team B center. | Maneuver formation ↓ |
| PL Austin to PL Houston | Attack with Team B on Axis Horse. Occupy SBF 25. | Lead attack on Axis Horse. Occupy SBF 15. | Occupy CP 20. | Lead attack on Axis Man. | |
| Obstacle reduction | SBF 25. Orient TRP 09. On order TRP 27. | SBF 15. Orient TRP 09. | Occupy CP 16. Identify lane. | Create and mark two lanes (vicinity AB123456). | Reduce ↓ |
| Attack on OBJ Bird | Shift fires to TRP 33. | Shift fires to TRP 27. | On order, move through lane to seize OBJ Bird. | Assist passage of Team C. Secure lanes. | |
| Attack on OBJ Cat | Orient TRP 33. | On order, lift fires and occupy CP 16. Identify lanes. | On order, seize OBJ Cat. | Secure/improve lanes. | |
| Attack on OBJ Dog | Lift fires. Consolidate on SBF 25. | On order, seize OBJ Dog. | Occupy SBF 45. Orient TRP 33. On order, lift fires. | Assist passage of Team B. Secure/improve lanes. | Action on OBJ ↓ |
| Consolidate | SBF 25. Orient north. | OBJ Dog. Orient northeast. | OBJ Cat. Orient east. | Support hasty defense operations. | |

Figure 1-4. Sample Execution Matrix

Effective C²

1-50. Effective C² is paramount to mission success. C² is integrated into the plan through the use of maneuver and fire control measures and the positioning of key leaders to see the battle space. Maneuver control measures enable the commander to graphically convey his intent, scheme of maneuver, and subunit instructions. Relating subunit actions to the terrain is critical to successful execution.

1-51. In *Figure 1-3*, page 1-15, the commander uses PLs to initiate the breaching operation and to control actions on the objective. At PL Austin, the support force maneuvers to occupy SBFs 15 and 25. The assault force occupies checkpoint (CP) 16 to prevent premature advancement to the obstacle, reduction-site congestion, and the engagement of forces before lanes are created and marked. The commander uses target reference points (TRPs) on obvious terrain features to orient, focus, and shift suppressive direct and indirect fires.

1-52. Key leaders must be able to see the battle space to make informed decisions. Nowhere is this more true than during the breaching operation. The commander must position himself where he can best control the battle. Since effective suppression is the most critical event during breaching operations, the commander may position himself with the support force. This enables him to personally influence fire control and facilitate the necessary cross talk between breach and assault forces. The S3 may initially move with the breach force to track the progress of obstacle reduction and anticipate the commitment of the assault force. A commander who feels that his personal influence is required with the breach or assault force must make a conscious effort to track the entire battle and must not focus completely on the reduction of the obstacle or the assault itself.

Well-Rehearsed Forces

1-53. The most effective synchronization tool available to the commander is the rehearsal. The inherent complexity of the breaching operation makes rehearsals at every level essential to success. The commander must give his subordinates time to plan how they will execute their assigned missions and time to rehearse the plan with their unit. The TF facilitates rehearsals by preparing rehearsal sites and managing their use. The TF commander must be sensitive to the impact TF-level rehearsals have on subordinate planning and preparation, and he must carefully choose the time and place of the rehearsal. Company teams rehearse their support, breach, and assault roles. TF rehearsals focus on synchronizing the maneuver of support, breach, and assault forces to achieve the breaching fundamentals. Rehearsals also highlight key events that must be coordinated during breach execution.

Typical Breaching Operations

1-54. *Table 1-3*, page 1-18, shows the types of breaching operations versus the sizes of the enemy forces overwatching the obstacle.

Table 1-3. Types of Breaching Operations Versus Enemy Sizes

| Enemy Overwatching the Obstacle | Maneuver Units Conducting Breaching Operations | | |
|---|--|----|---------|
| | Brigade | TF | Company |
| MIBN | X | | |
| MIC | O | X | |
| MIP | | O | X |
| NOTES: | | | |
| X = Normal (combat-power ratio 3:1) | | | |
| O = Desirable (combat-power ratio >3:1) | | | |

BREACHING OPERATIONS IN SUPPORT OF DELIBERATE AND HASTY ATTACKS

1-55. Attacks take place along a continuum based on the knowledge of the enemy's capabilities and disposition and the intentions and details of the friendly force's planning and preparation. The terms *deliberate attack* and *hasty attack* refer to the opposite ends of that continuum and describe characteristics of the attack:

- **Deliberate attack.** Friendly forces have more knowledge of the enemy situation and have more time to plan and prepare for the enemy. With this knowledge, friendly forces conducting the deliberate attack can develop detailed plans, task-organize to accomplish the mission, and execute rehearsals down to the lowest levels.
- **Hasty attack.** The enemy situation is vague, or it changes rapidly. Friendly forces have little or no time to plan or prepare for this type of operation. Because the primary purpose of the hasty attack is to maintain momentum or take advantage of the enemy situation, it is normally conducted only with the resources that are immediately available.

1-56. Breaching operations may be required to support an attack anywhere along the continuum. During a deliberate attack, friendly forces, such as engineers and smoke platoons, are task-organized before the attack to best support the concept of the operation. In a hasty attack, there may be insufficient time to task-organize assets, such as engineers and reduction assets, in the best manner. Additionally, the unit may not have time to plan the breaching operation in detail but may have to rely on the unit's SOP for execution. Regardless of where the attack falls along the continuum, the breaching tenets apply when conducting the breaching operation in support of the attack.

PLANNING SEQUENCE

1-57. The scheme of maneuver, engineer operations, fires, air defense, and actions at obstacles are all based on the same SITEMP. Planners develop the breaching plan using the following sequence:

- Reverse planning begins with actions on the objective.

- Actions on the objective drive the size and composition of the assault force.
- The size of the assault force determines the number and location of lanes to be created.
- Lane requirements and the type of obstacle drive the amount and type of mobility assets task-organized to the breach force.
- The ability of the enemy to interfere with the reduction of the obstacle determines the size and composition of the security element in the breach force.
- The ability of the enemy to mass fires on the point of breach determines the amount of suppression required and the size and composition of the support force.

Chapter 2

Breaching Operations

For a breaching operation, a unit develops a scheme of maneuver specifically designed to cross an obstacle and continue a mission. Maneuver company teams, TFs, and brigades can conduct breaching operations. Normally, a TF executes a breaching operation and the company teams are assigned as support, breach, and assault forces. Units will conduct a breaching operation when—

- The force-allocation ratio indicates that a confirmed enemy situation is beyond the subordinate unit's capabilities to successfully conduct a breaching operation. (When companies cannot successfully conduct a breaching operation, the battalion will.)
- A subordinate unit has failed in its attempt to breach an enemy's tactical obstacles.

NOTES:

1. See *Appendix D* for a breaching scenario and special planning considerations for breaching operations in restricted terrain.
2. See *Appendix E* for information on route clearance operations.

PLANNING

2-1. Units develop plans to conduct a breaching operation using the following military decision-making process (MDMP):

- Step 1.** Receipt of mission.
- Step 2.** Mission analysis.
- Step 3.** COA development.
- Step 4.** COA analysis (war game).
- Step 5.** COA comparison.
- Step 6.** COA approval.
- Step 7.** Orders production.

The following paragraphs highlight key portions of the MDMP as it applies to the planning of a breaching operation. For a complete discussion of the MDMP, see *FM 101-5*.

RECEIPT OF MISSION

2-2. Before receiving a higher HQ order, a unit should receive a series of warning orders (WOs) and available intelligence products. If the products are not issued with the WO, the higher HQ liaison officer (LO) should locate and

deliver the products as soon as they become available. Intelligence products are essential for the unit to begin developing its own intelligence products and to facilitate parallel planning.

2-3. Upon receiving the higher HQ SITEMP, the unit develops standard terrain products using TerraBase II or a similar computer-software program. (For examples of TerraBase products, see *FM 5-71-3*.) This set of terrain products is called a terrain-visualization mission folder. (For more information on this subject, see *FM 5-105*.) Terrain products that support the planning of a breaching operation should be included in the unit's SOP and may include—

- Visible area plots from each of the templated enemy locations to the expected EA.
- Visible area plots from potential SBF positions and points of breach to the templated enemy location.
- Oblique view of the AO.
- Perspective view of intervisibility lines.
- Visible area plots from named areas of interest (NAIs), when NAIs are developed.

2-4. Visible area plots from each of the templated enemy locations help determine if the enemy would select these locations. For example, the enemy would not select a location directly behind a small hill because the hill would prevent the enemy from firing into a kill sack. Additionally, by combining the visible area plots on an overlay, the enemy's ability to mass fires is more easily understood. It also helps select SBF locations, obscuration locations, and sectors of fires and helps determine the breach organization for future operations.

2-5. Visible area plots from potential SBF positions and points of breach assist future planning by allowing the commander to visualize the support and breach forces' ability to suppress the enemy. Multiple plots along the length of an SBF position may be necessary to fully understand the suitability of an SBF position.

2-6. An oblique view of the AO helps the commander better visualize the terrain. A perspective view of intervisibility lines in the AO allows him to visualize how the unit can best use the terrain during a breaching operation. It also provides an idea of how the enemy may use the intervisibility lines when positioning its assets and special munitions.

2-7. Visible area plots from developed NAIs can be used to provide positioning guidance for observation posts (OPs). These products are issued to recon assets who are tasked to provide information on various NAIs.

2-8. When receiving a mission, pay particular attention to the actions the higher HQ takes in support of the breaching operation or its decisions that influence the breaching operation. Responsibilities of the higher HQ include—

- Resourcing the unit conducting the breaching operation with additional or special assets not normally task-organized to subordinate units.
- Fixing enemy forces to prevent them from repositioning and interfering in the breaching operation.

- Using scatterable mines (SCATMINES), deep fires, attack helicopters, and close air support (CAS) to isolate the farside objective and prevent a successful enemy counterattack.
- Planning a forward passage of lines by follow-on forces through the unit conducting the breaching operation. This must include a plan to upgrade/maintain lanes through the obstacle and to create additional lanes, if necessary, for the passage of follow-on forces.
- Providing criteria to transition to its own breaching operation.

MISSION ANALYSIS

2-9. During mission analysis, the commander conducts the IPB. A product of the IPB process is the SITEMP. The SITEMP is a graphic depiction of expected threat disposition if it adopts a particular COA. The staff must combine higher HQ intelligence with its knowledge of the enemy to produce a SITEMP with the necessary detail to successfully plan a breaching operation. A SITEMP should include—

- Likely enemy EAs.
- The location and orientation of enemy forces.
- Counterattack objectives and the location of enemy reserve elements.
- The location and range of all direct- and indirect-fire systems (tanks, AT weapons, artillery).
- Enemy obstacle systems, including tactical and protective obstacles and SCATMINES. The template must depict the enemy's countermobility capability.
- The enemy's use of nuclear, biological, chemical (NBC) weapons, including the ranges of delivery systems.
- The location of enemy target-acquisition assets.
- Likely air avenues of approach (AAs), including fixed and rotary-wing aircraft.
- Positioning of enemy air-defense artillery (ADA) assets.

2-10. Selecting the initial commander's critical-information requirements (CCIR) is a part of mission analysis, and it is crucial to begin planning recon operations that will result in useful intelligence, including OBSTINTEL. Typical CCIR for a breaching operation may include the—

- Location, composition, and orientation of the obstacle and available bypasses in the vicinity of the reduction area and the point of penetration (PIR).
- Location and composition of enemy forces that are capable of employing direct and indirect fires on the point of breach (PIR).
- Maintenance status and location of all reduction assets (friendly forces information requirements [FFIR]).
- Status of commitment criteria for the breach force (PIR and FFIR).

NOTE: The initial CCIR is developed during COA analysis.

COURSE-OF-ACTION DEVELOPMENT

2-11. When developing a COA, the commander must remember that the breaching operation is only a portion of the higher HQ operation. The unit must ensure that the end state of the COA supports the higher HQ concept of the operation. As stated in *FM 101-5*, one of the criteria that each developed COA must meet is completeness. In a breaching operation, units use detailed reverse planning, develop a plan to achieve the breaching fundamentals, develop clear subunit instructions to develop a complete COA, and begin to synchronize the operation.

2-12. The detailed reverse-planning process, the SITEMP, and the terrain products produced during mission analysis are used to determine the size and composition of support, breach, and assault forces. The reverse-planning process begins with actions on the objective and includes templated enemy obstacles.

2-13. The assault force's task and purpose drive its composition. The assault force's mission is to seize terrain on the farside of the obstacle to prevent the enemy from placing direct fires on created lanes. Consider the following when determining the assault force's size and composition:

- Higher HQ requirements in terms of seizing or securing objectives.
- The terrain.
- The expected disposition, composition, and strength of the enemy when the assault force is committed.

2-14. The assault force's size determines the number and location of lanes to be created. The breach force creates and marks lanes through or around obstacles to support the rapid passage of the assault force. An assaulting company team requires a minimum of one lane, and an assaulting TF requires at least two lanes.

2-15. Lane requirements and the type of obstacle drive the amount and type of reduction assets task-organized to the breach force. As stated in *Chapter 1*, the commander should plan for the loss of about 50 percent of his reduction assets during a breaching operation. To ensure that the breach force is adequately resourced, the initial allocation of assets is continually reviewed as additional intelligence information (including OBSTINTEL) is received.

2-16. The enemy's ability to interfere with obstacle reduction determines the size and composition of the security element in the breach force. The security element's size and composition within the breach force can also be determined through the—

- Terrain analysis and the terrain's impact on the support force's ability to suppress the enemy.
- Amount of terrain the breach force will occupy at the obstacle during reduction and the extent that the breach force will mask the fires of the support force.
- Analysis of the enemy's expected reaction to the reduction effort.

2-17. Detailed terrain analysis and the enemy's expected size, disposition, and composition determine the enemy's ability to mass fires at the point of breach. That ability, in turn, determines the amount of suppression that is

required and the support force's size and composition. Expected losses that the support force will incur from the line of departure (LD) to the SBF position due to maintenance and enemy air, chemical, and artillery attacks should be considered. Additionally, analyzing the enemy's equipment type, range, and lethality can indicate the expected losses that the support force will incur while in an SBF position.

2-18. When developing COAs for a breaching operation, consider the following:

- **Suppress.**
 - Identify the support force's axis of advance to SBF positions. The support force's mobility requirements must be identified based on the SITEMP and its axis of advance to SBF positions.
 - Establish SBF positions for each element in the support force.
 - Establish TRPs to control the support and breach forces' direct fires.
 - Determine the location and size of CFZs to protect the support force.
 - Plan essential indirect-fire targets to assist in suppressing the enemy.
 - Develop a plan for lifting or shifting direct and indirect fires.
 - Deploy the support force into a position to fire simultaneously on the enemy from several directions, if possible.
 - Attack by fire before or during obstacle reduction to suppress an overwatching enemy. If circumstances allow, forces may bypass the obstacle and assault the overwatching enemy before reduction. If the assault successfully eliminates the enemy, it also eliminates direct fires on the breach force. If the assault does not succeed in destroying the enemy, it fixes them and reduces the enemy's ability to place fires on the breach force. Direct- and indirect-fire suppression from the support force is necessary to support this assault.
 - Use fires to suppress the enemy's indirect fires. The enemy's indirect fires are extremely dangerous during a breaching operation since the breach force may be exposed for a lengthy period. Friendly artillery and air assets support the breaching operation by attacking enemy overwatch positions, mobile reserves, and artillery positions that are capable of firing on the point of breach. Friendly forces jam enemy fire control nets. The fire-support officer (FSO) designates points of breach as CFZs for a target-acquisition battery so that enemy artillery is treated as a priority target for counterbattery support.
- **Obscure.**
 - Determine the location of smoke target(s).
 - Identify terrain features that mask the force's point of breach, and limit the number of enemy forces that can effectively observe and fire on the breach force, thus aiding in obscuration. Other natural, limited-visibility conditions (darkness, fog) should be exploited if possible. Smoke is generally the primary obscurant; however, it is

a double-edged sword because it may attract enemy attention and degrade friendly target acquisition and C².

- Determine the quantity, location, and type of obscurant required to screen breach and assault forces and obscure enemy fires. This is particularly important for breaching complex obstacles where the breach force is exposed for an extended time. Smoke is important in deceiving the enemy as to the breaching location and interfering with enemy fires. If smoke platoons are available, synchronize them with artillery-delivered and organic smoke.
- Determine smoke requirements by using *FM 3-50*. Blanket, haze, or curtain-screening smoke degrades enemy observation of assault and breach forces. A smoke platoon is capable of providing support for a 0.5- to 1.4-kilometer front. Friendly forces use a combination of carefully placed smoke pots and indirect fires to augment smoke support. Howitzers and mortars supporting friendly forces can build and maintain smoke, but smoke effectiveness depends on the number and rate of smoke rounds delivered. Using indirect fire to provide smoke competes with the friendly force's high-explosive (HE) and dual-purpose improved conventional munition (DPICM) missions against an enemy. A commander must decide the priority for the use of indirect fire, and his decision must be clear to subordinates. Vehicles equipped with smoke-grenade launchers can provide local smoke for reduction operations and for troop passage during an assault. However, these systems are self-defense mechanisms and friendly forces must not rely on them to supply all obscuration for a breaching operation.
- **Secure.**
 - Plan direct-fire control measures as necessary.
 - Use terrain and the positioning of nearside and farside security SBF near the point of breach to facilitate the survivability of the breach force.
 - Plan a CFZ and ADA coverage around the reduction area for survivability and security of the breach force.
 - Plan local security at the breach site to suppress overwatching enemy forces that are close to the obstacle.
- **Reduce.**
 - Identify primary and alternate reduction techniques.
 - Determine the tentative location of lanes and the separation between lanes.
 - Determine the breach force's task organization.
 - Position the breach force, and identify positions and routes that it uses as it maneuvers toward the obstacle to minimize its impact on hindering the support force's suppressive fires.
- **Assault.**
 - Plan to pass the assault force through lanes created in the obstacle.
 - Develop objectives for the assault force.

- Develop SBF positions to be occupied by the assault force to facilitate passage of follow-on forces.
- Plan direct- and indirect-fire control measures that support the seizure of the farside objective.
- Identify all mobility requirements for the COA, including whether the assault force requires engineer support for reducing protective obstacles and fortifications within the defensive position.

2-19. Each element within the breach organization must completely understand which tasks it is responsible for in breaching operations. Additionally, each COA should identify which force is the main effort throughout the breaching operation. For example, the COA should define when the main effort shifts from the support force to the assault force. The following are the different types of forces and their tasks and responsibilities:

- **Support force.**
 - Suppress enemy elements capable of placing direct fires on the point of breach to protect the breach force.
 - Suppress enemy elements capable of placing direct fires on the assault force. This may require the adjustment of SBF positions.
 - Call for and adjust indirect fires, including obscuration. A combat observation lasing team (COLT) or Striker will be required for Copperhead munitions.
 - Fix enemy forces that are capable of repositioning.
- **Breach force.**
 - Reduce lanes in the obstacle.
 - Provide local security (farside and nearside).
 - Provide additional suppression of enemy forces overwatching the obstacle.
 - Mark and report the location of created lanes.
 - Assist the passage of the assault force through created lanes.
- **Assault force.**
 - Seize the farside objective.
 - Reduce protective obstacles.
 - Prevent enemy direct fire from interfering with follow-on forces as they pass through lanes.
 - Provide clear routes to the BHL for follow-on forces.
 - Conduct battle handover with follow-on forces.

2-20. The assault force's mission is unique. It must reduce the enemy's protective obstacles, assault the enemy's position, and secure terrain that is essential to the passage of follow-on forces. The assault-force commander must thoroughly understand the higher HQ scheme of maneuver. The following information is particularly important:

- Objectives the assault force must seize.
- The end state, in terms of SBF positions, which the assault force must occupy so that follow-on forces can continue the attack.

- The number of lanes the breach force plans to create to facilitate the passage of the assault force.
- The higher HQ plan to provide suppressive fires and/or obscuring smoke.
- Planned points of breach and the point of penetration.
- Lane requirements (number and lane-marking type) to support the passage of follow-on forces.
- The sequence of follow-on units to be passed through lanes and the criteria to begin passing follow-on units through lanes that the assault force created.

2-21. Typically, the enemy emplaces protective obstacles 50 to 500 meters in front of its positions and between its forward platoons and companies. These obstacles are designed to prevent a mounted assault and to fix or break up a dismounted assault. Close-in obstacles may be a combination of wire, AP and AT mines, fortifications, and entrenchments. All obstacles are covered by direct fire. Mines may be surface-laid or buried and well-camouflaged. Mines can be deployed with AHDs that are command-detonated or trip-wire-activated.

2-22. The assault force commander considers the following breaching fundamentals when developing his plan:

- **Suppress.** If a company team is the assault force as part of a TF breaching operation, other company teams within the TF will normally have the responsibility to suppress the enemy from designated SBF positions on the objective area. These teams may be the same support force that protected the breach force; however, terrain factors may require repositioning to provide effective support for the assault force.
- **Obscure.** Mortars and vehicle-mounted obscurants are primary means of obscuration for the assault force. It may also employ hand-held smoke grenades and smoke pots to provide additional obscuration. If available, smoke may be employed away from the point of breach to confuse enemy forces as to the disposition of the assault force.
- **Secure.** Local security must be established before conducting reduction operations on protective obstacles.
- **Reduce.**
 - The assault force's reduction efforts center on creating dismounted/mounted lanes in protective obstacles, reducing fortifications, and widening lanes to support follow-on forces. The commander should task-organize the assault force with sufficient reduction assets to create a minimum of one lane per assaulting platoon. There may be insufficient time to reorganize engineers and reduction assets to the assault force after crossing the LD. Therefore, engineers and reduction assets supporting the assault force are task-organized to the maneuver force they will support.
 - During the planning process, the assault force commander must decide whether he will assault mounted or dismounted. This decision impacts the reduction methods that will be used. A

mounted assault allows the use of tank plows and MICLICs. During a dismounted assault, friendly forces rely on manual obstacle reduction, which is very time-consuming. The composition of follow-on forces must also be considered. This may require widening initial lanes that the assault force created, especially when a dismounted assault is followed by mechanized follow-on forces.

- The assault force normally decentralizes C² for the plan's execution. For this reason, an assault force commander must allocate engineers, reduction assets, and demolitions to squads and platoons to provide reduction capability throughout his force.
- **Assault.** Below-ground operations require clearing the enemy's trench lines and bunker complexes. Dismounted infantry and engineers, in concert with tanks and Bradley fighting vehicles (BFVs), conduct these operations. These actions must be planned in detail and rehearsed to ensure proper execution. See *FMs 71-1* and *7-10* for more information.

COURSE-OF-ACTION ANALYSIS (WAR GAME)

2-23. When planning a breaching operation, war gaming is critical to refine the COA, including—

- Task-organizing support, breach, and assault forces.
- Developing a DST, identifying triggers to support obscuration, committing breach and assault forces, and shifting fires.
- Identifying and/or confirming the locations of decision points, NAIs, targeted areas of interest (TAIs), and other information that is needed to support decision points.
- Refining CCIR and incorporating them into the ISR plan/graphics.
- Refining the fire-support plan/graphics, including the obscuration plan.
- Confirming the obstacle template according to the TF R&S plan.

2-24. The commitment of the breach force is a critical decision point that must be included in the DST. The commander must thoroughly analyze what criteria must be met before the breach force begins obstacle reduction. Commitment criteria elements may include the following:

- Destruction of certain vehicles or a certain number of vehicles.
- Effective suppression of the enemy by the support force.
- Effective obscuration of the enemy.
- Remaining strength of the support force.
- Remaining reduction assets available to the breach force.
- Activation of CFZ.
- Air-defense assets in position.

NOTE: A plan must exist on how information will be gathered to verify the commitment criteria.

2-25. Once war gaming is complete, a COA has been refined, and a final task organization has been determined, a C² system can be planned to support the

operation. To conduct a successful breaching operation, an effective C² system must be established. Specifically, each force in the breaching organization (support, breach, and assault) must understand who is in charge, especially within support and breach forces.

2-26. The support force may be comprised of more than one element. For example, in a TF breaching operation, the support force may be comprised of two company teams. Due to the importance of the support force's role and its size, it may be best to have the TF commander/S3 be the support force commander. He is responsible for coordinating the actions of both company teams and determining when the conditions have been met for the breach force's commitment. This allows each company commander to concentrate on directing his unit while under the overall control of an experienced leader.

2-27. The breach force, with its two subordinate elements (security and reduction), must have a well-understood C² system in place. There are many ways to establish C² of the breach force, and the method used may depend on the—

- Size and composition of security and reduction forces.
- Number of lanes that must be created.
- Experience level of the personnel within the breach force.

2-28. The following are possible C² structures within the breach force for a TF breaching operation:

- A company-team commander acts as the security element commander and the breach force commander, with an engineer as the reduction element commander.
- An engineer-company commander acts as the reduction element commander and the breach force commander, with a maneuver platoon leader as the security element commander.

2-29. Another C² issue that must be resolved during COA analysis is traffic control through lanes created in an obstacle system. *Figure 2-1* shows an example of the graphic control measures that may be established to facilitate the efficient movement of forces through an obstacle system. In this example, traffic-control post (TCP) 8 is located at the far-recognition marker. These control measures can be initially established by the higher HQ but need to be refined as the unit conducting the breaching operation develops its scheme of maneuver. *Table 2-1* lists the responsibilities for creating lanes and controlling traffic through an obstacle system when a TF breaching operation is being conducted.

PREPARATION

2-30. Intelligence collection continues throughout preparations for a breaching operation. As intelligence reports are received, the SITEMP and the ISR plan are updated and revised. Intelligence reports are also used to refine the task organization of support, breach, and assault forces and the scheme of maneuver, including proposed points of breach and target grids for smoke and suppressive fires. Updated intelligence information is also used during combined-arms rehearsals.

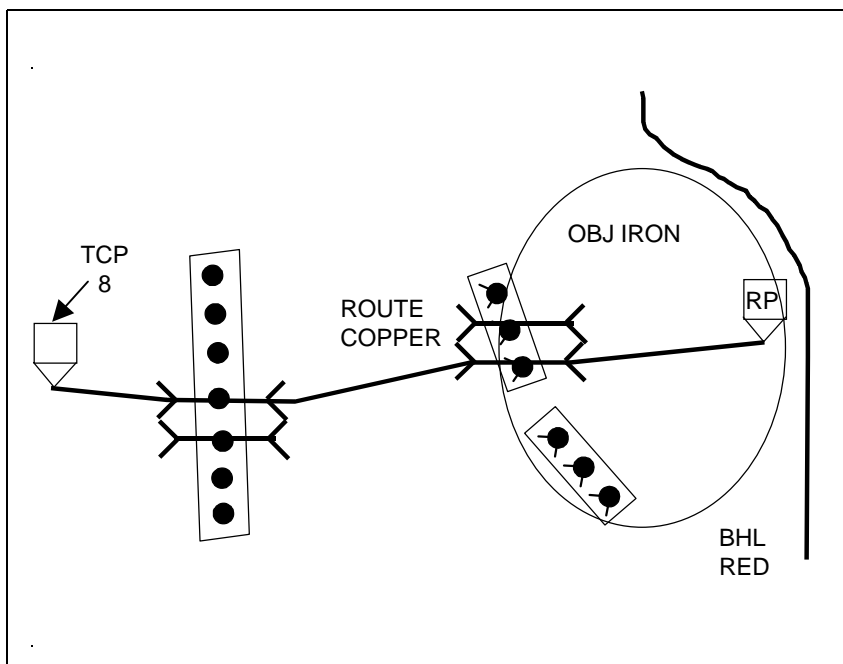


Figure 2-1. Graphics to Support Passage of Follow-On Forces

Table 2-1. C² Responsibilities for Lanes and Traffic Control

| Breaching Operation | Responsibilities of TF Forces | Responsibilities of the Brigade |
|---|--|---|
| Initiating breaching operations through the passage of the assault force through tactical obstacles | The breach force creates lanes for the assault force (reduces, proofs, and emplaces the initial lane-marking pattern and assists in the passage of the assault force through the marked lanes). The TF controls all traffic passing through tactical obstacles. | |
| Completing the passage of the assault force through the seizure of the farside objective | The assault force creates and marks lanes through protective obstacles up to the BHL. | Assumes control of lane(s) in tactical obstacles Creates more lanes as necessary Upgrades lane marking to the intermediate lane-marking pattern Ensures that lanes remain open Assumes traffic control through tactical obstacles |
| Passing follow-on forces through tactical and protective obstacles to the BHL | The assault force assists in the passage of follow-on forces (from tactical obstacles to the BHL). | |
| Completing the forward passage of lines | | Assumes control of all lanes and traffic up to the BHL |

2-31. A unit meticulously plans, manages, and controls breaching rehearsals. (For more information on breaching rehearsals, see *Chapter 4* of this manual or *FM 101-5*.) Time is allocated to each unit to perform combined-arms rehearsals. A rehearsal site should reflect the actual obstacle system in as much detail as possible. Friendly forces choose terrain similar to the operational area and construct a practice obstacle system based on OBSTINTEL. At a minimum, rehearsals should include a leader and key personnel walk-through and individual rehearsals by support, breach, and assault forces. As time permits, conduct as many full-scale rehearsals as possible. When possible, friendly forces rehearse the operation under the same conditions expected during the actual mission, including battle-space obscuration and darkness.

2-32. When a force commander rehearses a breaching operation, he also rehearses several contingency plans. The contingencies should include possible enemy counterattacks and attacks by enemy indirect-fire systems (artillery, rockets, attack helicopters, and other air assets). This also includes the enemy's use of NBC munitions. If updates become available after the last possible rehearsal, immediately pass the information to the affected elements.

EXECUTION

2-33. Each element of the breaching organization must accomplish its assigned tasks for a breaching operation to be successful. Additionally, the entire force must be flexible when responding to changes in the plan. Examples of changes are—

- Allocating additional assets to the support force due to attrition.
- Changing the location of the point of penetration.
- Modifying the scheme of reduction and changing the order of the units passing through the created lane.

2-34. All units must continually update the commander during mission execution. A critical phase of a breaching operation is the movement of the support force from the LD to its SBF positions. The support force must be prepared to maneuver to its SBF positions. Additionally, the support force must plan for the enemy's use of SCATMINES along its axis of advance, which may require it to conduct a breaching operation.

2-35. After the support force has occupied its SBF positions and the commitment criteria of the breach force has been met (achieved necessary suppression and obscuration), the breaching commander should order the breach force to move forward to a specific point (6- or 8-digit grid) on the battle space to begin reduction. As the breach-force commander maneuvers his force to the point of breach, he must always remain cognizant of his relationship to the support force to ensure that he does not unnecessarily mask their fires.

2-36. Actions by the assault force at an assault position may include—

- Verifying current friendly and enemy situations using tactical reports from company teams or support forces.
- Issuing fragmentary orders (FRAGOs) and disseminating information to the lowest level.

- Confirming TRPs and direct-fire responsibilities.
- Positioning artillery observers.
- Conducting final prepare-to-fire checks.
- Reorganizing to compensate for combat losses.

2-37. The breach force commander should lead with his security element to allow it to establish nearside security before the reduction element arrives at the obstacle. As the security element occupies its position, the reduction-element commander should conduct a recon to acquire obstacle information and quickly confirm/refine his scheme of reduction. As the reduction-element commander brings his element forward, he should report the exact location where the obstacle will be reduced and the estimated time to reduce/prove and mark the obstacle. At the same time, the breach-force commander must assess the effectiveness of the suppression and determine if and how he will augment the support force's fires.

2-38. As the reduction continues, the support- and breach-force commanders must update their commander with the current status. Specifically, the support-force commander must update on his ammunition status and the strength of his unit. The breach-force commander must update on the progress of the reduction effort and the effectiveness of obscuration and suppression. The breach-force commander should verify who the assault force will be and where the assault force will come from so that he can assist in their passage.

2-39. As the reduction effort nears completion, the breach-force commander should report the grid coordinates of the far-recognition marker so that the assault force can begin movement to that location. When reduction is complete, the breach-force commander must—

- Report lane completion.
- Provide grid coordinates of the final-approach marker.
- Confirm/report the lane-marking pattern and material.

2-40. The breach-force commander establishes farside local security and assists in the assault force's passage. Once the lanes have been reported/signaled as being open for traffic, the assault force passes through the lanes to destroy forces that can bring direct fires on created lanes. To accomplish this mission, the assault force may have to reduce enemy protective obstacles.

2-41. The obstacle system continues to be a choke point and danger area even after the assault force has passed through created lanes. Additional lanes are constructed to speed the follow-on forces' passage, and lanes are monitored to ensure that they remain clear. Reduction assets need to be maintained near the points of breach in case a scatterable minefield is emplaced by the obstacle. The lane-marking pattern is upgraded to intermediate. There are many ways this can be accomplished. The higher HQ—

- Takes command of the point of breach and has some or all of the reduction element revert to its control and continue creating/expanding lanes in the obstacle for follow-on forces.

- Takes command of the point of breach and has additional reduction assets follow closely behind the assault force and create additional lanes to allow the reduction element to remain under unit control.
- Tasks the breaching unit to maintain lanes in tactical obstacles.

2-42. The lanes are widened to allow two-lane traffic through obstacles, and they are marked with the full lane-marking pattern. Deliberate marking and fencing systems are installed, and military police (MP) establish necessary traffic control. Eventually, follow-on engineer forces clear obstacles and eliminate the choke point.

Chapter 3

Lane and Bypass Marking

This chapter implements STANAG 2036.

This chapter provides commanders with an Army-wide standard system for lane and bypass marking. It centers around a systematic, phased upgrade of lane marking. Each upgrade conforms to tactical requirements for that phase of the attack, from initial obstacle reduction to the passage of larger follow-on forces and the return traffic necessary to sustain the force. Lane or bypass marking is a critical component of obstacle reduction. Effective lane marking allows commanders to project forces through an obstacle quickly, with combat power and C^2 intact. It gives an assault force and follow-on forces confidence in the safety of the lane and helps prevent unnecessary casualties.

LANE-MARKING SYSTEM

3-1. There are two critical components to any lane-marking system—the lane-marking pattern and the marking device.

- **Lane-marking pattern.** The location of markers indicating the entrance, the lane, and the exit.
- **Marking device.** The type of hardware emplaced to mark the entrance, the lane, and the exit.

3-2. The lane-marking system outlined in this chapter centers on standardizing the marking pattern across the Army rather than standardizing the marking device. Standardizing the marking pattern is critical to offensive operations. A common lane-marking pattern—

- Enables cross attachments and adjacent units to recognize lanes easily with minimal knowledge of a particular unit's tactical SOP.
- Gives all forces a standardized set of visual cues needed to pass through a lane safely and maintain their momentum.
- Facilitates quick conversion to the lane-marking requirements of STANAG 2036.

3-3. Until the Army adopts a standard lane-marking device, commanders decide what hardware to use. This gives units greater flexibility, allowing them to adopt a marking device that is tailor-made for their type of unit and mission (armored or light force, mounted or dismounted attack, limited visibility, thermal capability). Regardless of the device used, it must support the standard lane-marking pattern outlined in the following paragraphs. Therefore, commanders should consider the marking guidelines and examples

in this chapter before developing or adopting their own system. Commanders should determine and standardize the marking device used based on the availability of resources and METT-TC.

LANE-MARKING TERMS

3-4. The following terms provide a common basis for discussing lane marking:

- Entrance markers.
- Handrail markers.
- Exit markers.
- Entrance-funnel markers.
- Final-approach markers.
- Far-recognition markers.
- TCPs and guides.

ENTRANCE MARKERS

3-5. Entrance markers indicate the start of a lane through an obstacle. They signify the friendly-side boundary of the obstacle and the point at which movement is restricted by the lane width and path. Entrance markers also indicate the lane width. Therefore, it is critical for a maneuvering force to distinguish the entrance point clearly, since it signifies the point at which passing vehicles can no longer adjust their movement in reaction to the situation (direct and indirect fires) without jeopardizing the force. Entrance markers must be visually different from handrail markers to help a force distinguish this critical point in the lane. The distance between entrance markers must be the same as the width of the created lane. Entrance markers placed a minimum of 4.5 meters apart indicate a lane capable of supporting mounted movement, while markers placed a minimum of 1 meter apart indicate a dismounted lane. When obstacle boundaries are vague or unknown, such as a buried minefield, the breach force uses its best judgment and marks the entrance where obstacle reduction and lane proofing begin.

HANDRAIL MARKERS

3-6. Handrail markers define the lane path through an obstacle and indicate the limits of the lane width. As a minimum, mounted and dismounted lanes have a left handrail. Mounted and dismounted forces moving through a lane should keep the left handrail immediately to the left of their vehicle or person. The lane width is defined by the entrance markers. Therefore, when only the left handrail is marked, drivers use entrance and handrail markers to gauge the lane width and path. As the operation progresses, lane marking may be upgraded to include left and right handrails.

EXIT MARKERS

3-7. Exit markers indicate the far side limit of a lane through an obstacle. For a passing force, the exit marker signifies the point at which movement is no longer confined to the lane path. Like entrance markers, exit markers must be distinguishably different from handrail markers; however, the exit may be marked the same as the entrance. Exit markers are placed to the left and

right of an exit point and spaced the width of the reduced lane. This visual reference is critical when only a left handrail is marked. The combination of entrance, left-handrail, and exit markers gives the driver and the tank commander visual cues (entrance and exit points, lane width and path) to pass safely along a lane.

ENTRANCE-FUNNEL MARKERS

3-8. Entrance-funnel markers augment entrance marking. The V formed by the funnel markers forces approaching platoons into a column formation and assists drivers and tank commanders in making last-minute adjustments before entering the lane.

FINAL-APPROACH MARKERS

3-9. Final-approach markers are highly visible, more robust markers that augment the visual signature of entrance-funnel markers. Units must be able to see the entrance funnel and/or the entrance-funnel markers from the final-approach marker. The final-approach marker—

- Provides the assault-force commander with a highly visible reference point toward which to maneuver his formation.
- Signals company-team commanders to begin changing to a column formation.

FAR-RECOGNITION MARKERS

3-10. Far-recognition markers are highly visible markers located between the final-approach marker and the friendly unit. They are primarily used when passing battalion-size forces through a lane where direct observation of the final-approach marker is denied due to distance, visibility, or terrain. Far-recognition markers should be different from the final-approach marker. Far-recognition markers indicate the point at which forces begin changing their formation to posture for the passage. A single far-recognition marker may serve up to two lanes when located 200 to 400 meters apart. Once lanes are upgraded to two-way traffic, far-recognition markers are required for each two-way lane. Far-recognition markers should be visually alterable so that they can be distinguished from the far-recognition marker of an adjacent lane. This assists the C² of large formations when passing on several adjacent lanes. When a far-recognition marker serves more than one lane, a guide or a TCP is collocated with the far-recognition marker nearest the obstacle.

TRAFFIC-CONTROL POSTS AND GUIDES

3-11. A TCP or a guide is a two-man team with communications means that assists the commander in controlling the movement of forces. When available, consider using MPs to establish and man these posts. Initially, the commander may use other personnel as guides to man critical far-recognition markers until MPs establish full TCPs. TCPs and guides provide the commander with a means to control traffic flow to appropriate lanes. When there are multiple lanes branching off a single far-recognition marker, the TCP helps direct the formation to various lanes. The TCP can also assist in modifying the traffic flow when lanes have been closed for maintenance, for

lane expansion, or by enemy SCATMINES. The TCP or guide must give the commander the azimuth and distance to the final-approach marker, the device used for the approach marker, and the level of the lane-marking pattern. For light forces, guides may physically escort passing units from the far-recognition marker to the lane entrance. In short, the TCP allows the commander to make last-minute changes in the traffic flow, giving him increased flexibility to react to the enemy situation.

3-12. Another technique to facilitate the movement of the assault force to the points of breach is for the assault force to maneuver a recon element, such as a section, behind the breach force. This section observes the breach effort, identifies lanes, and leads the assault force to lanes after the breach is complete.

LEVELS OF LANE MARKING AND PATTERNS

3-13. There are three levels of lane marking—initial, intermediate, and full. Each lane-marking level provides an increase in lane signature and capability. Lane requirements change as a breaching operation matures from the passage of the assault force to the passage of larger follow-on forces. Initial lane-marking requirements are driven by the nature of the fight through the obstacle. Marking must be rapid, providing only the bare minimum signature needed to safely pass small units (company teams, platoons) that make up the assault force. This contrasts with lane requirements during later phases of an attack where larger units (battalion and above) are passed to subsequent objectives and mark improvements to be made. Two-way traffic becomes a priority for the simultaneous forward passage of combat units and return traffic (ambulances, empty supply vehicles) necessary to sustain the force. With the increase in traffic volume comes more diverse forces and levels of driver experience. Lane-marking limits must be clear to the most inexperienced driver or crewman; do not assume he has a knowledge of the unit's SOP. A fully developed lane must support two-way traffic and be completely marked.

3-14. Commanders must be aware of how the lane needs of a force change with the operation so that they can anticipate lane-marking and lane-capability requirements. Integrating the levels of lane marking into the overall breaching plan ensures that a unit's needs are satisfied. The forces necessary to mark and upgrade lanes must be allocated and tasked with that mission. The scheme of maneuver and the service-support plan are the basis for analyzing lane requirements. The following paragraphs describe lane-marking patterns in detail and provide guidelines on when a commander should upgrade lane marking and lane capability.

INITIAL LANE MARKING

3-15. The breach force replaces the initial lane-marking pattern immediately after the obstacle is reduced and, if required, the lane is proofed. This is a signal to the assault-force commander that the lane is ready for traffic. Initial lane marking is kept to a minimum, focusing on the markings needed to pass immediate assault forces (company teams and smaller) through the lane to seize the point of penetration on the farside objective. Normally, the assault

force can observe the lane as it is being marked and does not need the greater visual signature of mature lane marking. The initial lane-marking pattern contains—

- Entrance markers.
- Left-handrail markers.
- Exit markers.
- Entrance-funnel markers.
- A final-approach marker.

3-16. *Figure 3-1*, page 3-6, shows the initial lane-marking pattern. Entrance, left-handrail, and exit markers are the first markers that the breach force emplaces since these markers define the location and limits of the lane. These markers should be emplaced as follows:

- Entrance markers are placed to the left and right of the reduced lane's entrance point. They are spaced the width of the lane (at least 4.5 meters for mounted lanes and 1 meter for dismounted lanes).
- Left-handrail markers are placed at the left limit of the lane along the entire path. They are placed at 15-meter intervals for mounted forces and 5-meter intervals for dismounted forces. Commanders can modify the intervals based on the terrain, the visibility, the lane length, and the lane path. Additionally, commanders may choose to mark left and right handrails when the lane path is lengthy or unclear (through a complex obstacle).
- Exit markers are placed to the left and right of the lane at the far side of the obstacle (at least 4.5 meters for mounted lanes and 1 meter for dismounted lanes).

3-17. After entrance, left-handrail, and exit markers are placed, the breach force emplaces entrance-funnel markers and the final-approach marker. These markers enhance the visual signature of the lane entrance for the assault force. If the assault force is in a position to observe the obstacle reduction, the commander does not have to wait until entrance-funnel markers and the final-approach marker are set to commit the assault force. However, the breach force continues to install the necessary markers to improve the lane signature for larger or subsequent follow-on forces maneuvering toward the lane. Entrance-funnel markers and the final-approach marker are emplaced as follows:

- Entrance-funnel markers are placed at 15-meter intervals for mounted forces and 5-meter intervals for dismounted forces. They are placed diagonal to the lane entrance to form a 45-degree V as shown in *Figure 3-1*.
- The final-approach marker is centered on the lane and placed at least 200 meters from the lane entrance for mounted forces. For dismounted forces, the nature of the attack may preclude using a final-approach marker initially. Place a final-approach marker 30 meters from the entrance as soon as the mission allows. Commanders modify the recommended distance for the final-approach marker based on the terrain and the visibility.

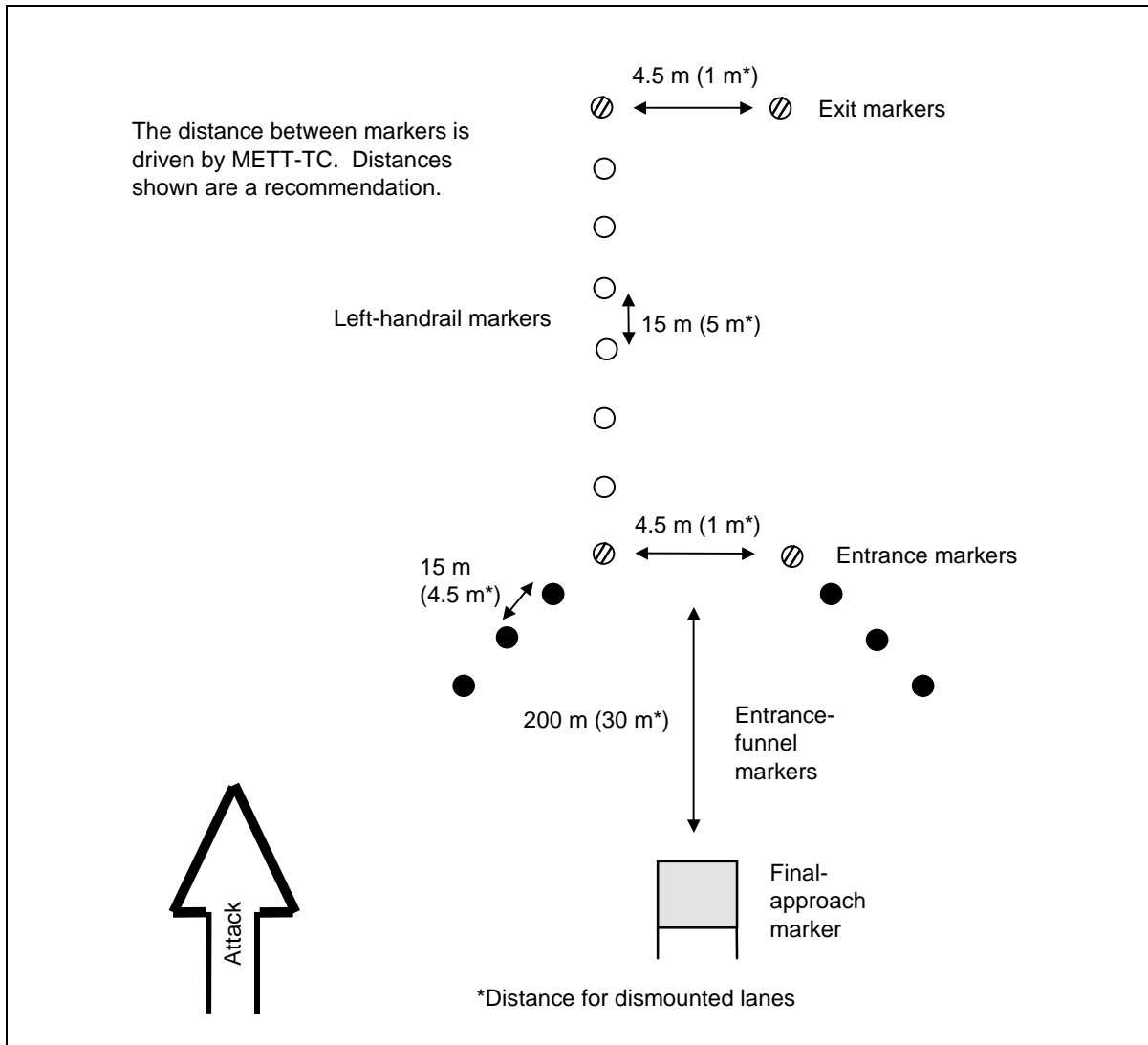


Figure 3-1. Initial Lane-Marking Pattern

INTERMEDIATE LANE MARKING

3-18. Upgrading initial lane marking to intermediate lane marking is triggered by one of two key events—

- Commitment of larger combat forces who are unable to directly observe the obstacle as it is reduced.
- Rearward passage of sustainment traffic (casualty evacuation and vehicle recovery).

3-19. Intermediate lane marking has two goals—

- Increasing the lane signature to assist in the passage of larger combat forces.
- Providing sufficient marking for two-way, single-lane traffic.

3-20. Intermediate lane marking builds on the initial lane-marking pattern by adding right-handrail markers, exit-funnel markers, far-recognition markers, and a farside final-approach marker. *Figure 3-2* shows the intermediate lane-marking pattern.

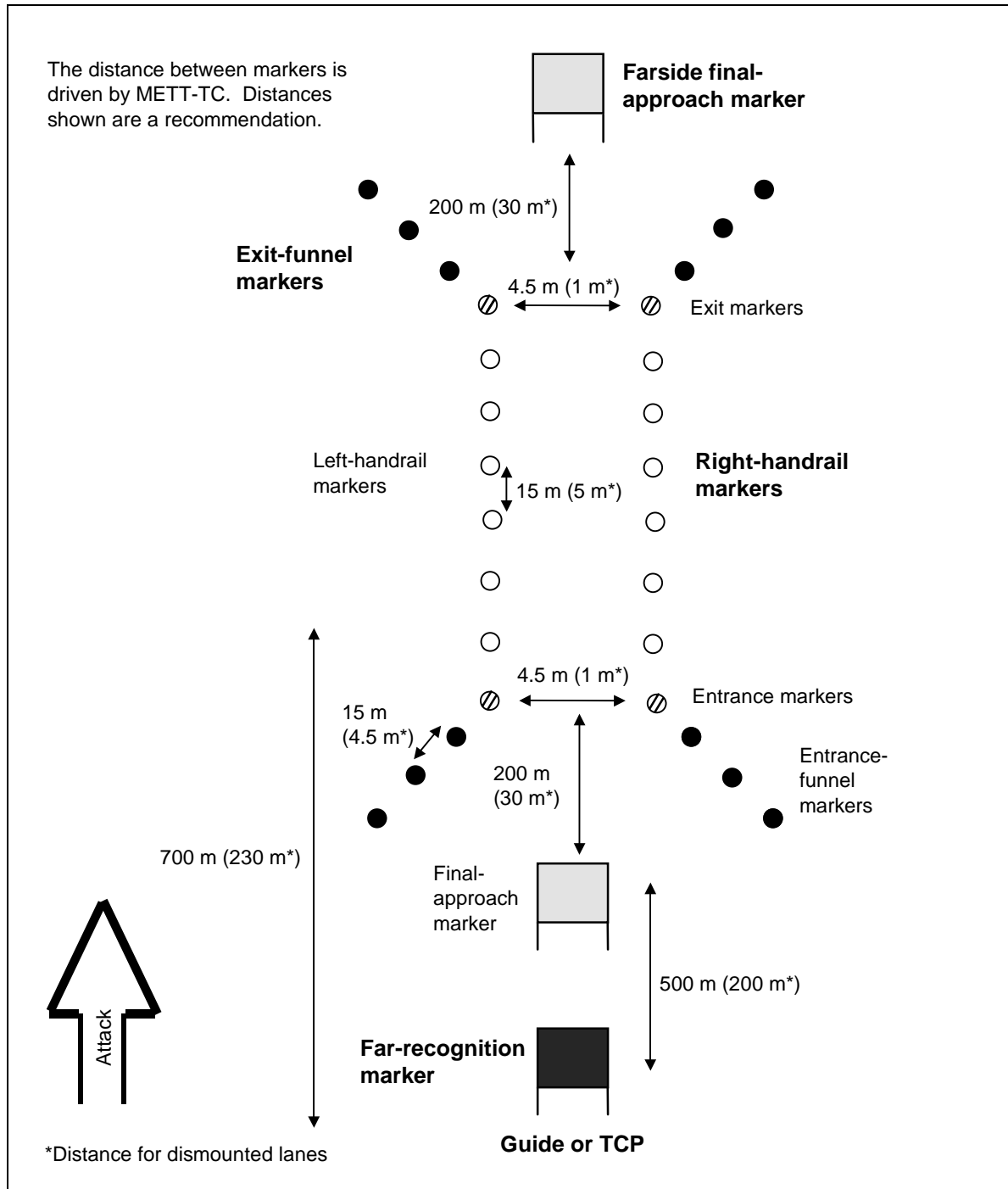


Figure 3-2. Intermediate Lane-Marking Pattern

3-21. The commander sets the priority of marker emplacement based on the situation. If the scheme of maneuver requires the immediate passage of larger combat forces, right-handrail markers and the far-recognition marker may be the priority. On the other hand, if it is necessary to ground-evacuate casualties or to recover vehicles, it may require emplacing right-handrail markers, exit-funnel markers, and the farside final-approach marker first. Intermediate lane marking gives the commander greater flexibility. Establishing a network of guides becomes increasingly important to direct the flow of forward and returning forces.

3-22. Regardless of the reason for an upgrade, the first step is to emplace right-handrail markers. These markers define the rightmost limit of the lane. They are placed the width of the lane as defined by entrance and exit markers. The right handrail follows a path parallel to the left handrail through the obstacle. Right-handrail markers are placed at the same interval as left-handrail markers.

3-23. Exit-funnel markers and a farside final-approach marker are emplaced to mirror entrance markers. For the forward passage of large combat forces, exit-funnel markers prevent the premature deployment of a passing force into combat formation before it is safely outside the obstacle. Exit-funnel markers also become entrance-funnel markers for rearward passing traffic, giving these forces the visual cues needed to align themselves on the lane. Exit-funnel markers are augmented by a farside final-approach marker to help rearward passing forces clearly identify the lane from their side. The farside final-approach marker is centered on the lane and placed 200 meters (30 meters for dismounted forces) from the exit (farside entrance).

3-24. A far-recognition marker completes the intermediate lane-marking pattern. It provides commanders with a visual signature or a series of signatures on which to guide their movement toward the lane. When the assault force is moving over a greater distance to the lanes, additional far-recognition markers may be required. For mounted forces, the far-recognition marker nearest the obstacle is placed a maximum of 500 meters from the final-approach marker (the final-approach marker must be visible from the far-recognition marker). Dismounted forces may require a system of guides instead of far-recognition markers for passing combat forces. However, far-recognition markers must be emplaced as soon as possible to reduce guide requirements for passing mounted sustainment traffic. This gives the assault-force commander the space needed to transition to a column formation.

3-25. A commander collocates guides or TCPs at the far-recognition marker when he feels the situation requires more positive control over traffic flow. Normally, the need to increase traffic control comes at the same time as the need for limited two-way traffic and intermediate lane marking. Commanders should plan for the use of dedicated guides once they have upgraded to intermediate-level marking. Guides or TCPs become mission critical during limited visibility or in restrictive terrain. They should also be used when a single far-recognition marker feeds more than one lane. TCPs must be manned with a minimum of two soldiers and must have secure frequency-modulated (FM) communications with the controlling HQ. It is essential that soldiers acting as guides or TCPs know the—

- Azimuth and distance to the final-approach marker or the 8-digit grid coordinate of the final-approach marker that is entered into the unit's Global Positioning System (GPS) receiver.
- Lane-marking pattern currently emplaced.
- Type of final-approach marker used.
- Traffic-control plan and march order.

Guides must be kept up-to-date on the status of lane marking, maintenance, and closures.

FULL (TWO-WAY) LANE MARKING

3-26. Lane marking is upgraded to a full lane-marking pattern when the commander desires uninterrupted two-way traffic flow. Expanding lanes to full lane marking is resource-intensive and is not part of a breaching operation. A full lane supports uninterrupted two-way traffic. The marking pattern is modified to give forces passing forward or rearward the same visual signature.

3-27. Upgrading to a full lane-marking pattern is normally assigned to follow-on engineer forces, since it is usually beyond the immediate capability of engineers with forward units. In special cases, the commander may task engineers with forward units to expand and upgrade a lane from an intermediate to a full lane-marking pattern. However, the trade-off is decreased support to forward units and delays associated with changing task organization. The full lane-marking pattern is also used when marking a lane through friendly obstacles along a main supply route (MSR) or a passage lane.

3-28. Upgrading intermediate lane marking to full lane marking begins by temporarily closing the lane, rerouting traffic, and expanding the lane width. The lane is always expanded to the left in relation to the direction of the attack. Engineers reduce and proof the obstacle beginning at the left handrail to give a total lane width of 10 meters (5 meters each way). The expansion width requirement is the same for armored and light forces, since both forces must be able to pass mounted sustainment and combat forces. When the lane is expanded by mechanical means, it is necessary to entirely remove the left-handrail markers during expansion. Whenever possible, these markers should be left alone to serve as a reference point during lane expansion. If removed altogether, left-handrail markers must be replaced since they form the left handrail for both forward and rearward passing forces.

3-29. When the lane width has been expanded to 10 meters, entrance, exit, right-handrail, funnel, and final-approach markers are replaced on the return lane. All markings are the same as described in previous paragraphs. *Figure 3-3*, page 3-10, shows a full lane-marking pattern.

3-30. The full lane-marking pattern has three entrance and three exit markers. Entrance and exit markers are placed the width of forward and return lanes and are visually different from other markers. Three entrance markers indicate a two-way traffic lane, and units should always use the rightmost lane. Entrance- and exit-funnel markers are placed slightly different from previous marking patterns. In the full lane-marking pattern, funnel markers extend out from the entrance and exit markers on the outside

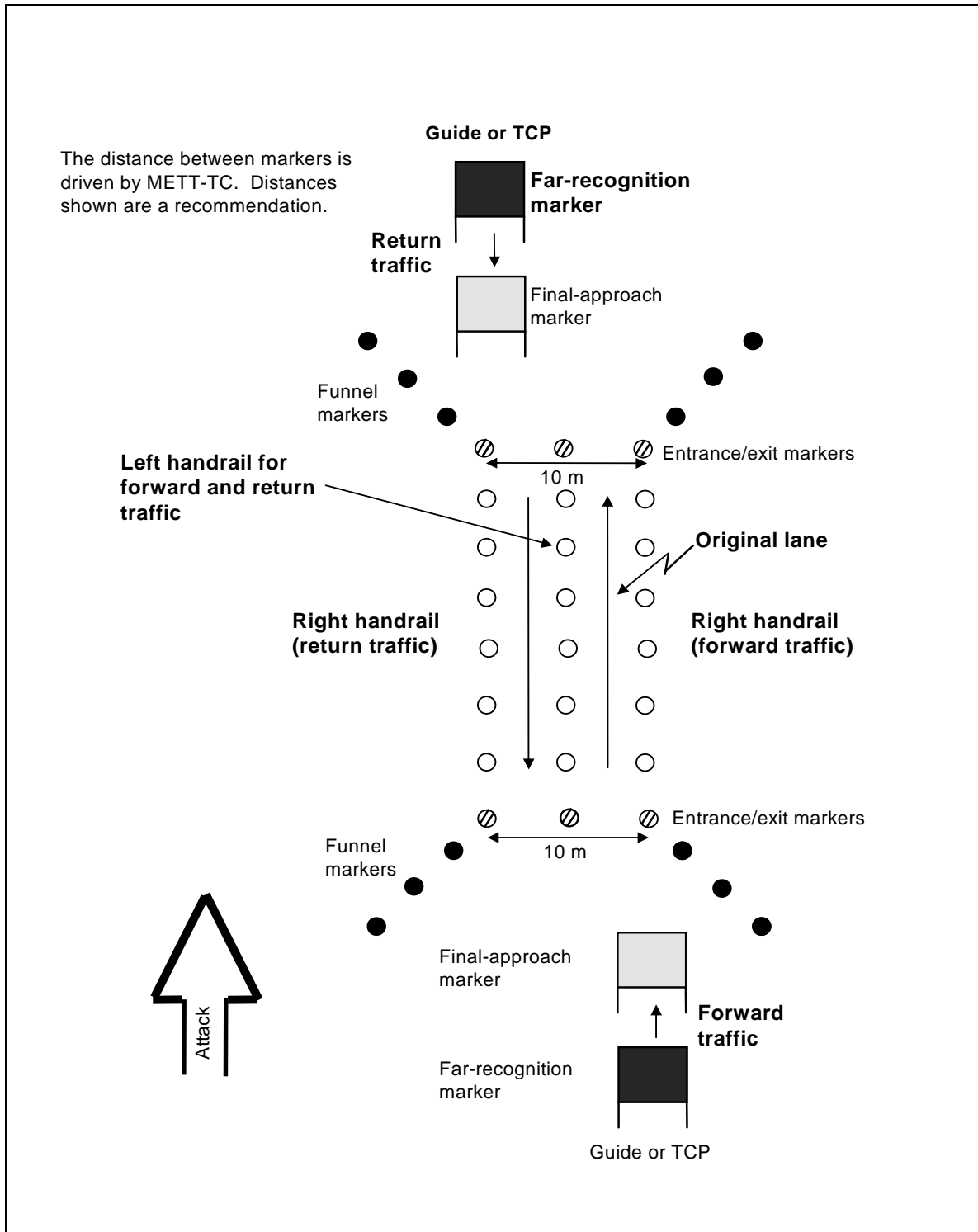


Figure 3-3. Full Lane-Marking Pattern

only. Final-approach markers are placed 200 meters from and centered on entrances of forward and return lanes. This helps forces identify entrance points from either direction. Far-recognition markers are placed a maximum of 500 meters from forward and return final-approach markers. Again, distances may be modified based on the terrain, the visibility, and the mission.

COMMANDER'S GUIDANCE FOR LANE MARKING

3-31. *Table 3-1* provides the commander with a summary of lane-marking levels, guidelines on unit responsibilities, and events that trigger a lane-marking upgrade. The chart focuses on TF-level breaching operations. In the table, *who* refers to the unit responsible for lane marking, *when* describes events that trigger the need to upgrade, and *markers* highlight a quick reference for lane-marking requirements.

Table 3-1. Lane-Marking Levels, Unit Responsibilities, and Trigger Events

| | Initial | Intermediate | Full (Two Way) |
|---------|---|---|--|
| Who | TF breach force | TF breach force | Brigade |
| When | Obstacle is reduced | Passing battalion- or company-size forces | Passing brigade- or battalion-size forces |
| | Passing platoon- or company-size assault forces | Passing force which cannot see the lane Passing TF combat trains | Situation requires uninterrupted sustainment traffic |
| Markers | Entrance | Add right handrail | Expand lane width to 10 meters |
| | Exit | Add exit funnel | Adjust entrance/exit |
| | Left handrail | Add farside final approach | Adjust left/right handrails to new width |
| | Entrance funnel | Add far recognition | Add far recognition |
| | Final approach | Add guides or TCPs | Add farside guides or TCPs |

MOVEMENT THROUGH THE LANE

3-32. Standard lane-marking patterns help the commander in two critical aspects when moving a unit through a lane:

- Lane markers help the force posture its formation for efficient passage through the defile that is caused by the lane through the obstacle.
- The combination of lane markers and TCPs gives the commander greater flexibility in the forward and rearward movement of forces.

3-33. Far-recognition and final-approach markers in a standard lane-marking pattern help commanders smoothly change assault and follow-on forces into a column formation before passing through the lane. In most cases, the situation should allow the unit to move in a column formation from the outset; however, the enemy situation and the terrain may demand that forces remain dispersed as long as possible. Far-recognition, final-approach, and entrance-funnel markers are used to trigger commanders to alter their formations.

Figure 3-4 shows how formations at various levels may change to efficiently pass through lanes. A battalion TF initially moves from its assault position in a box, V, or wedge formation depending on the number of lanes being used.

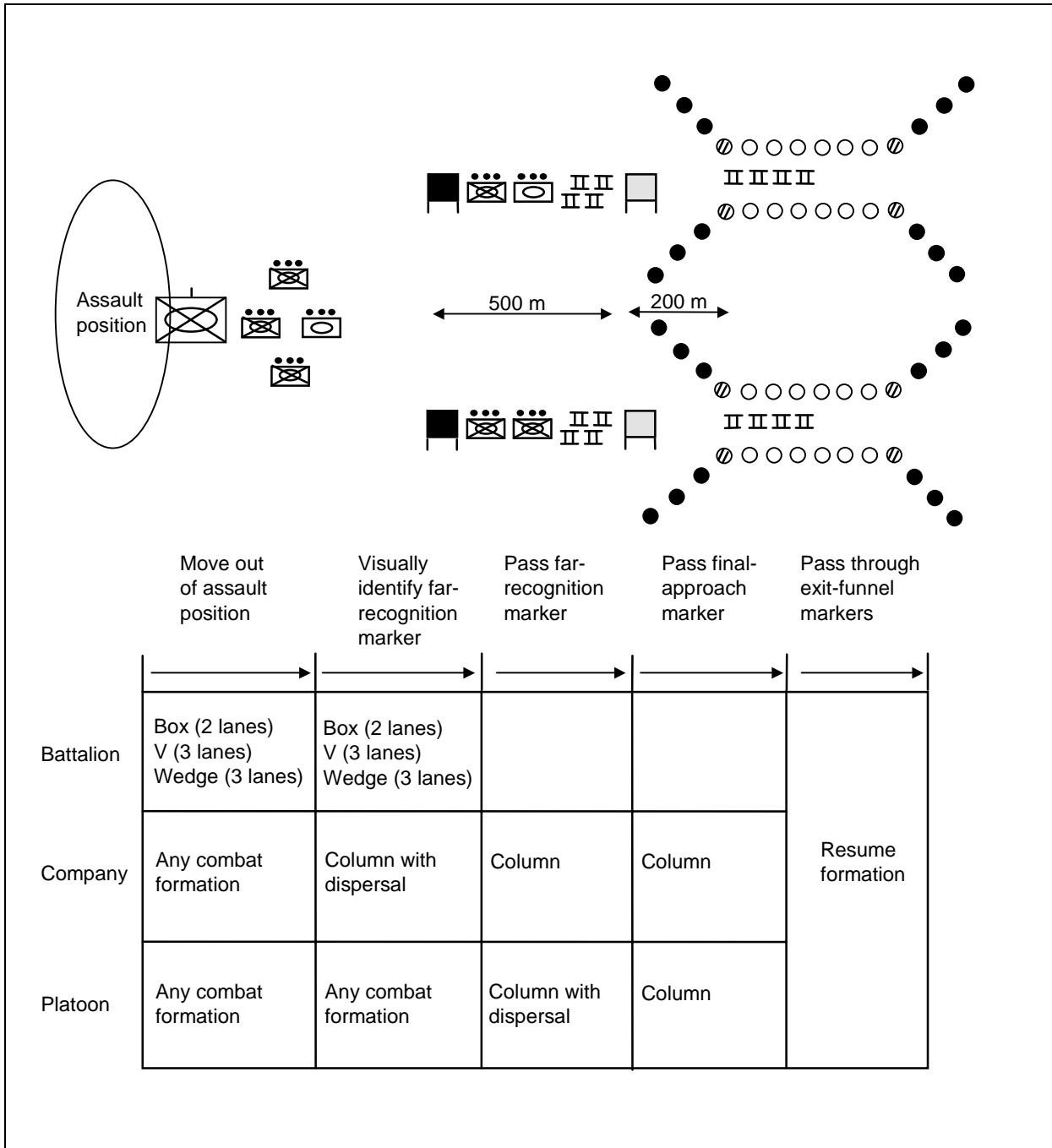


Figure 3-4. Formation Changes Based on Lane Markers

3-34. Initially, company teams and below may move in any combat formation. Once lead elements of the battalion visually identify the far-recognition marker, company teams begin moving into a column formation with platoons still deployed. Platoons—

- Change into a column formation with dispersal as they move from the far-recognition marker to the final-approach marker.
- Change into a column formation as they move from the final-approach marker to entrance markers, using the entrance-funnel markers as guides.
- Redeploy once they pass through the exit or the exit funnels.

3-35. As the operation progresses, commanders should upgrade lane marking and establish traffic control as early as METT-TC allows. The combination of upgrading lanes from the initial marking pattern and establishing TCPs gives the commander greater flexibility. Normally, TCPs are established at forward and return far-recognition markers. Upgrading to full lane marking that is capable of supporting uninterrupted two-way traffic is generally determined by the need to pass increased volumes of traffic.

3-36. *Figure 3-5*, page 3-14, shows the flexibility that full lane marking and TCPs provide. In this example, friendly forces have created two lanes, 200 meters apart. Lane 1 is a full lane, and lane 2 is an intermediate lane. A far-recognition marker on the nearside and the farside can feed traffic to both lanes. Full lane marking and TCPs allow the commander to continue pushing combat power forward on lanes 1 and 2 simultaneously. At the same time, the farside TCP directs all return traffic to lane 1. Commanders should ensure that recovery vehicles are on site to remove immobile and destroyed vehicles.

LANE MAINTENANCE AND RESPONSIBILITIES OF TRAFFIC THROUGH LANES

3-37. As discussed in *Chapter 2*, units must plan for lane maintenance (widen lanes, upgrade lane markings, ensure that lanes remain open, ensure C^2 of traffic through the breach area). The responsibility for lane maintenance should be delineated in unit orders to ensure alignment with the scheme of maneuver. Specifically, units must determine who is responsible for—

- Maintaining lanes in tactical and protective obstacles.
- Maintaining lanes when a change occurs.
- Controlling traffic within the breach area.

3-38. *Figures 3-6 through 3-9*, pages 3-15 and 3-16, show how a unit defines responsibilities for lane maintenance and traffic control. In this example, a TF breaching operation is being conducted. Teams A and B provide suppressive fires as the support force, Team C reduces tactical obstacles as the breach force, and Team D seizes OBJs LION and TIGER as the assault force. The brigade intends to pass an armored TF through obstacles as the first element of the follow-on forces once the TF has cleared a route through the breach area. Note that the initial-lane requirement to pass Team D (the assault force) is one vehicular lane, but the breach force breaches a second lane to pass follow-on forces (an armored TF).

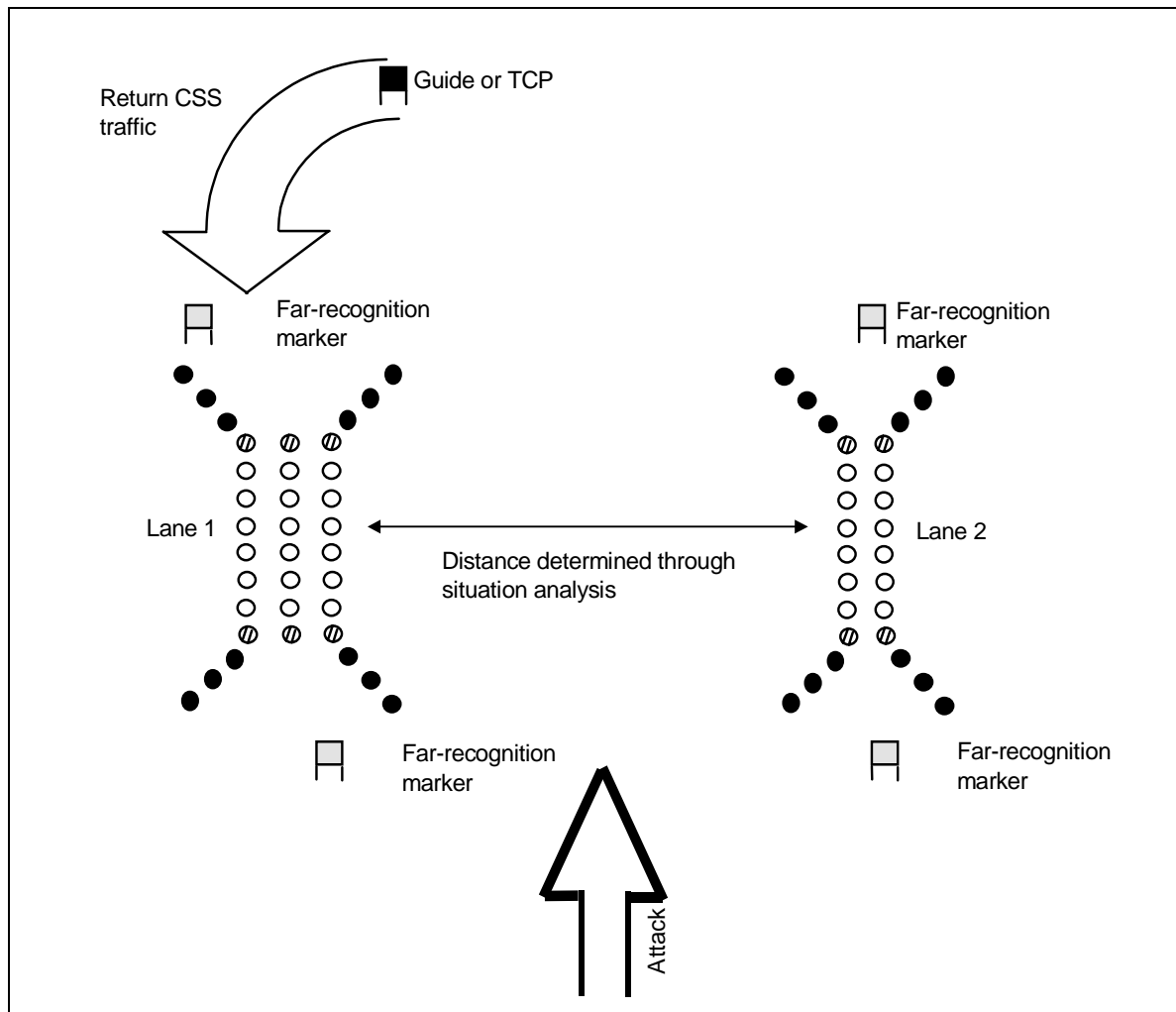


Figure 3-5. Multiple Lanes Used at Different Levels

3-39. As the breaching operation progresses, the breach force creates two lanes in the tactical obstacles. The breach force marks lanes with the initial lane-marking pattern and passes the assault force through the lanes (*Figure 3-6*). At this stage of the breaching operation, the TF maintains lanes in the tactical obstacles and controls all movement of forces within the breach area.

3-40. The assault force passes through the tactical obstacles and attacks to seize OBJs LION and TIGER. As the assault force attacks, it encounters protective obstacles and reduces and marks them. Immediately after the assault force passes through the tactical obstacles, the brigade assumes responsibility for lane maintenance in the tactical obstacles. The brigade also assumes responsibility of traffic control from the beginning of the breach area through the tactical obstacles. This includes creating additional lanes, ensuring that the lanes remain open, upgrading lane markings at the tactical obstacles, establishing TCPs, and calling units forward into the breach area. The TF is responsible for maintaining lanes through the protective obstacles (*Figure 3-7*).

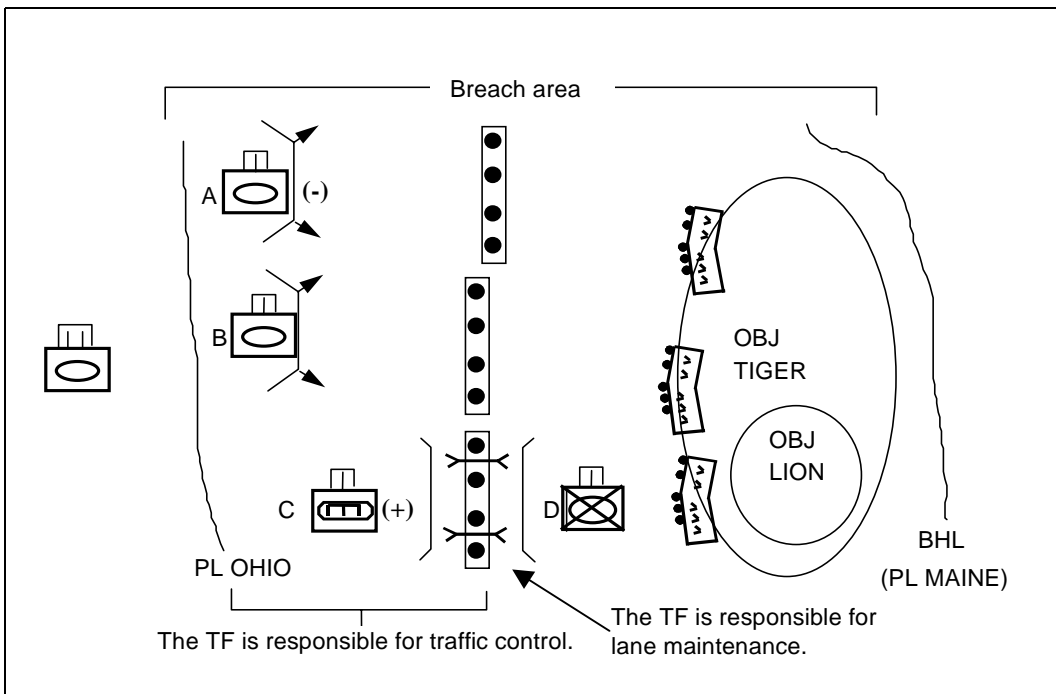


Figure 3-6. Assault Force Passes Through Tactical Obstacles

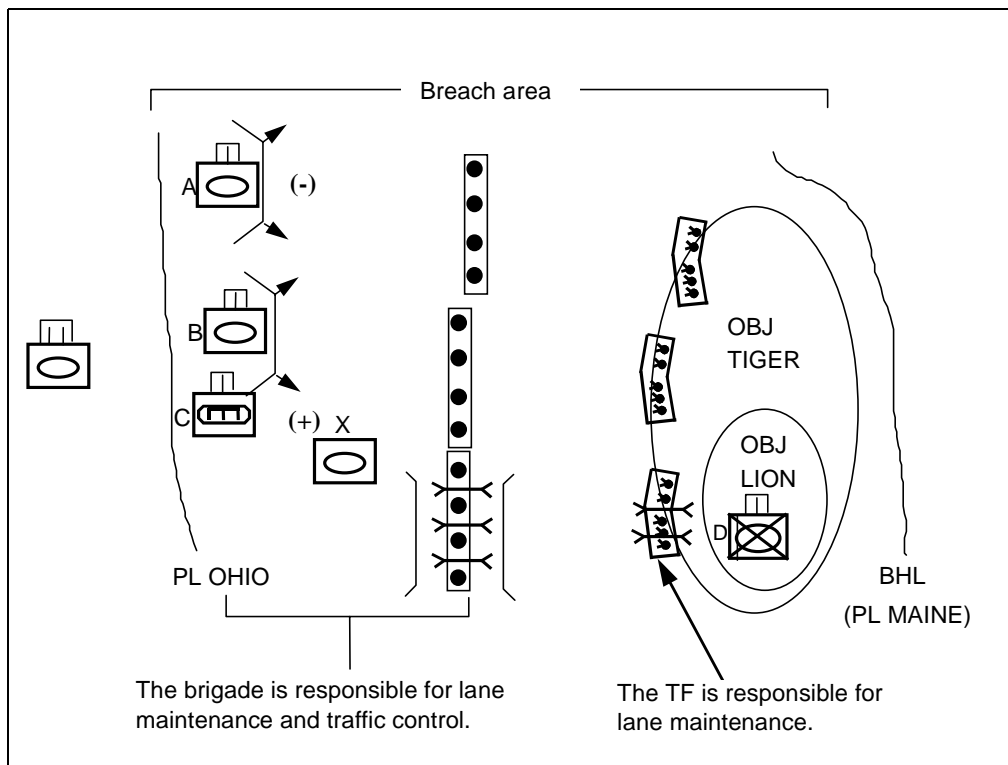


Figure 3-7. Brigade Assumes Control of Lanes in Tactical Obstacles

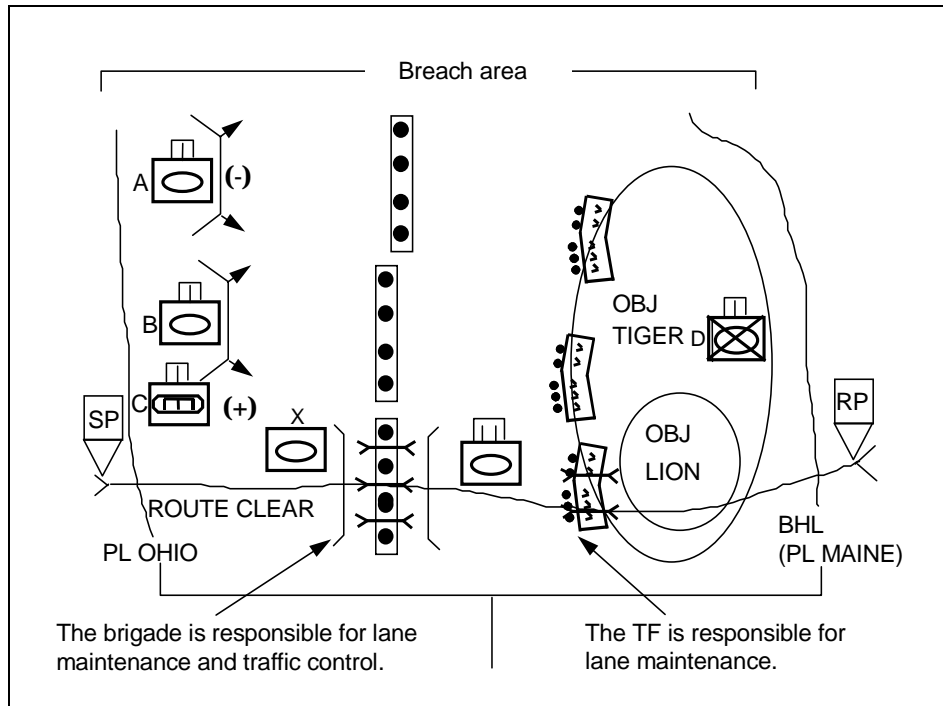


Figure 3-8. Follow-On Forces Begin to Pass Through the Breach Area

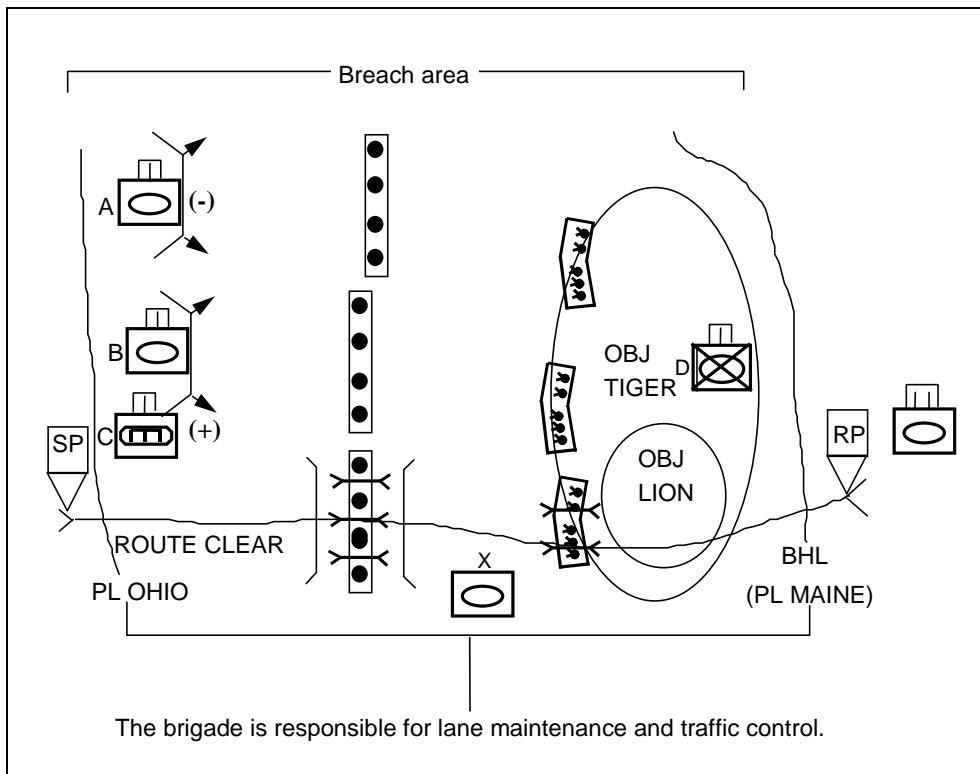


Figure 3-9. Brigade Assumes Full Control of the Breach Area

3-41. Once the assault force has seized its objective and reported that it has established a clear route up to the BHL (PL MAINE), the brigade begins to pass the follow-on TF through the breach area. At this point, the brigade controls traffic throughout the breach area. The TF is responsible for maintaining lanes in the protective obstacles (*Figure 3-8*).

3-42. As the follow-on forces cross the BHL, the breaching operation is complete; however, the obstacles within the breach area remain a constriction for other follow-on forces. At this point, the brigade maintains lanes and controls traffic. The brigade begins to focus on establishing MSR through the breach area using corps engineer assets, which are task-organized to the brigade from the division (*Figure 3-9*).

LANE-MARKING DEVICES

3-43. Currently, the Army has no standard lane-marking device. The current marking systems in the Army's supply system are—

- Hand-Emplaced Minefield Marking System (HEMMS), national stock number (NSN) 9905-01-019-0140.
- Minefield Marking Set Number 2, NSN 9905-00-375-9180.
- Cleared-Lane Marking System (CLAMS), NSN 2590-01-205-3082.

3-44. Most lane marking in the field is done with nonstandard marking devices. Before adopting a nonstandard marking device, commanders should consider the guidelines summarized in *Table 3-2*. Coordination must occur between forces who are tasked to mark lanes and forces who are expected to use lanes to ensure that the marking material will work. For example, if a light force plans to create and mark vehicle lanes with an infrared light, vehicle drivers with enhanced (thermal) night-vision devices may not be able to see the markings.

Table 3-2. Guidelines for Lane-Marking Devices

| Markers | Mounted Forces | Dismounted Forces |
|------------------------------------|---|--|
| Handrail and funnel | Visible by TC and driver (buttoned up) from 50 meters | Visible by dismounted soldier in prone position from 15 meters |
| | Quick and easy to emplace (minimizes need to expose soldiers outside the emplacement vehicle) | Lightweight, quick and easy to emplace (dismounted soldier should be able to carry enough markers for the lane and still be able to fire and maneuver) |
| Entrance and exit | Visible by TC (buttoned up) from 100 meters | Visible by dismounted soldier from 50 meters |
| | Visually different from handrail and funnel markers | Visually different from handrail and funnel markers |
| | Quick and easy to emplace (may require soldier to dismount to emplace) Easily man-portable | Lightweight, quick and easy to emplace |
| Final-approach and far-recognition | Visible by TC (not buttoned up) from 500 meters | Visible by dismounted soldier (on march) from 100 meters |
| | Visually different from each other | Visually different from each other |
| | Visually alterable to facilitate traffic control through multiple lanes | Visually alterable to facilitate traffic control through multiple lanes |

3-45. *Figure 3-10* shows some of the devices that units currently use; they are easily procured or fabricated. This is by no means a complete listing; rather, it is intended to show commanders some of the options. Some of the general requirements for lane marking are—

- Markers must be able to withstand the rigors of the terrain, the weather, and the battle space.
- Markers should be easy to modify when visibility is limited, with minimal addition of manpower and equipment.
- Enhancements for limited visibility should be a constant source rather than a pulsating strobe. Strobes do not make the marking pattern readily apparent, particularly when approaching from an angle.

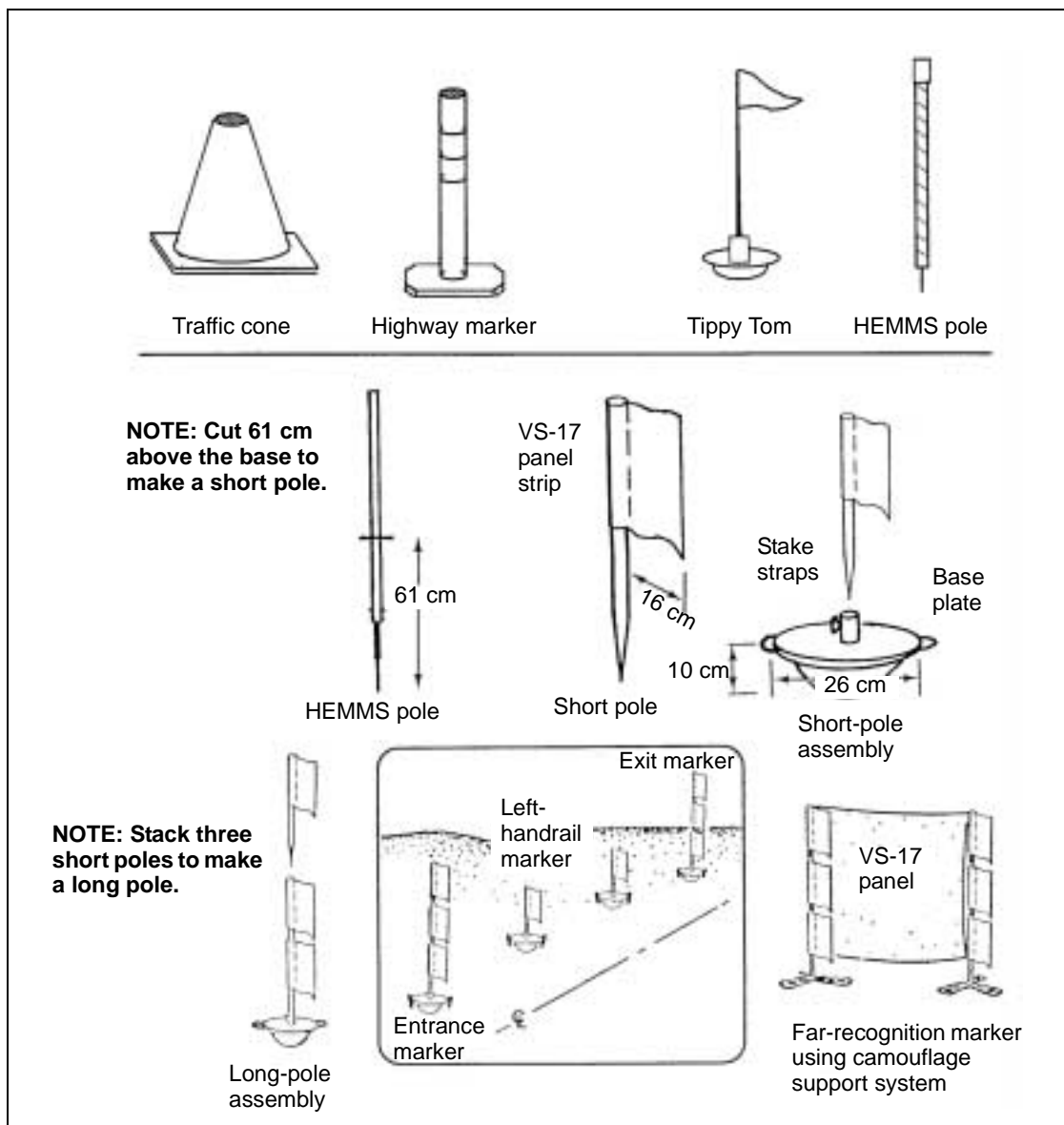


Figure 3-10. Examples of Nonstandard Marking Devices

BYPASS MARKING

3-46. Bypasses are marked using the same lane-marking patterns, marking devices, and visual cues as a lane. However, marking a bypass around an obstacle is much different from marking a lane through an obstacle because the amount of room available for forces to maneuver must be determined. While lanes through an obstacle are normally expanded to the left, bypasses are expanded away from the obstacle.

3-47. Bypasses must show where it is safe to rapidly pass around an obstacle, without unnecessarily restricting the force's ability to maneuver (*Figure 3-11*, page 3-20). To accomplish this, the marking unit will mark the bypass with a bypass-marking pattern (modified initial lane-marking pattern with right-handrail markers added). The unit will recon and initially mark the bypass 500 meters wide to allow platoons to maneuver around the obstacle. The width of the bypass is increased as time allows further recon. Limited visibility or additional obstacles discovered at the flank of the obstacle that is being bypassed may constrain the marked width of the path to less than 500 meters. (The right-handrail markers must be visible from the left-handrail markers.) In addition to bypass marking, units should consider establishing mobile guards on the friendly side of the obstacle to prevent vehicles/personnel from entering it. All units on the battle space should possess marking material and understand how to emplace the bypass-marking pattern.

MARKING REQUIREMENTS UNDER THE NORTH ATLANTIC TREATY ORGANIZATION

3-48. The following paragraphs paraphrase the breach lane-marking requirements outlined in North Atlantic Treaty Organization (NATO) STANAG 2036. They also establish procedures used by US forces to modify intermediate and full lane-marking patterns to STANAG standard. The trend in modern warfare is increasing toward combined operations, so commanders need to be aware of their responsibilities under the NATO standard for marking hazardous areas, particularly lanes through obstacles.

COMMANDERS' RESPONSIBILITIES

3-49. STANAG 2036 outlines the minimum requirements for the lane-marking pattern before troops of other nations use the lane. Commanders must plan to convert the lane to the NATO marking standard as early as possible. When converting to the NATO standard, STANAG 2036 directs commanders to use the lane-marking devices as stated below. Within an offensive operation, this does not normally occur until the lane is matured to a full lane.

MARKING PATTERNS AND DEVICES

3-50. The intermediate lane-marking pattern satisfies the minimum lane-marking pattern that must be used before forces from another country pass through a lane. STANAG 2036 states that the entrance point, the exit point, and left and right handrails are the minimum required lane signatures.

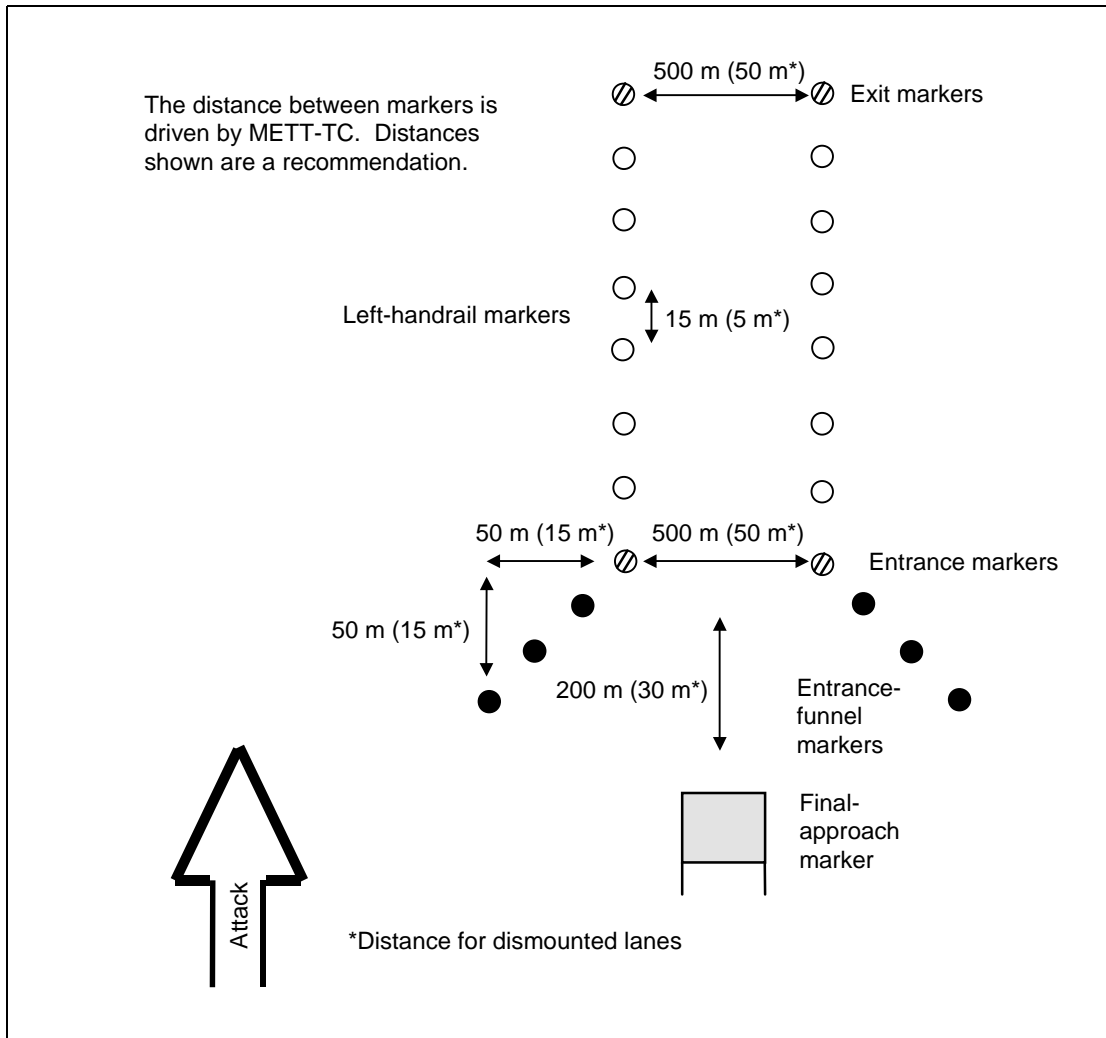


Figure 3-11. Bypass-Marking Pattern

Furthermore, STANAG 2036 requires that the entrance and exit of a lane be distinguishably different from other markers and that handrail markers be placed at intervals no greater than 30 meters. These requirements are met once lane marking is upgraded to the intermediate or full lane-marking pattern. Once the lane is marked to the intermediate level, commanders can use the lane for allied forces to pass through without any additional marking if proper marking material is used.

3-51. *Figure 3-12* shows a NATO standard marker. The marker is placed at a right angle to the direction of travel so that the white portion of the arrow points inward to the lane, indicating the safe side on which to pass. The red portion points outward, indicating the lane limit or dangerous side of the lane. Units may fabricate NATO markers if they cannot get them through the supply system. STANAG 2036 requires that markers be visible from 50 meters under all conditions.

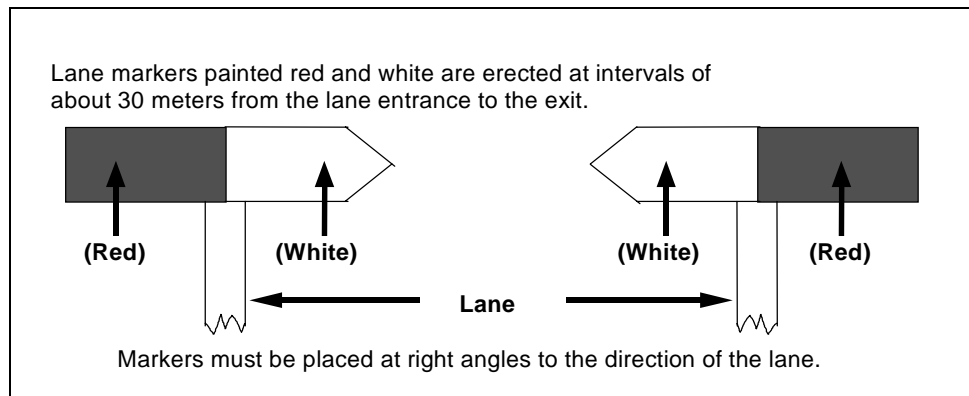


Figure 3-12. NATO Standard Marker

3-52. To convert intermediate lane marking to the NATO standard, affix NATO markers to long pickets and replace the existing entrance, exit, funnel, and handrail markers one for one. *Figure 3-13*, page 3-22, shows how NATO markers are used to convert an existing intermediate lane-marking pattern. Two NATO markers are used for entrance and exit markers to make them distinctly different. One NATO marker is affixed to each funnel marker and to each left- and right-handrail marker.

3-53. NATO uses white or green lights to illuminate markers at night. Entrance and exit markers are marked with two green lights or two white lights, placed horizontally, so that safe and dangerous markings on them are clearly visible. One white light or one green light is used on funnel and handrail markers. Commanders decide whether the light is placed on top of the NATO marker or placed so that it illuminates the marker (*Figure 3-14*, page 3-23). Lights must be visible from 50 meters under all conditions. Light sources for nighttime markers must have a continuous life of 12 hours.

COMPLEX OBSTACLES

3-54. When marking lanes through a complex obstacle, units can mark each obstacle independently or mark the entire obstacle system at once. The depth of the obstacle system, the distance between the obstacles, and the amount of marking material available determine which method is employed. See *Figures 3-15* and *3-16*, page 3-23, for examples of how complex obstacles may be marked; the examples use the initial lane-marking pattern.

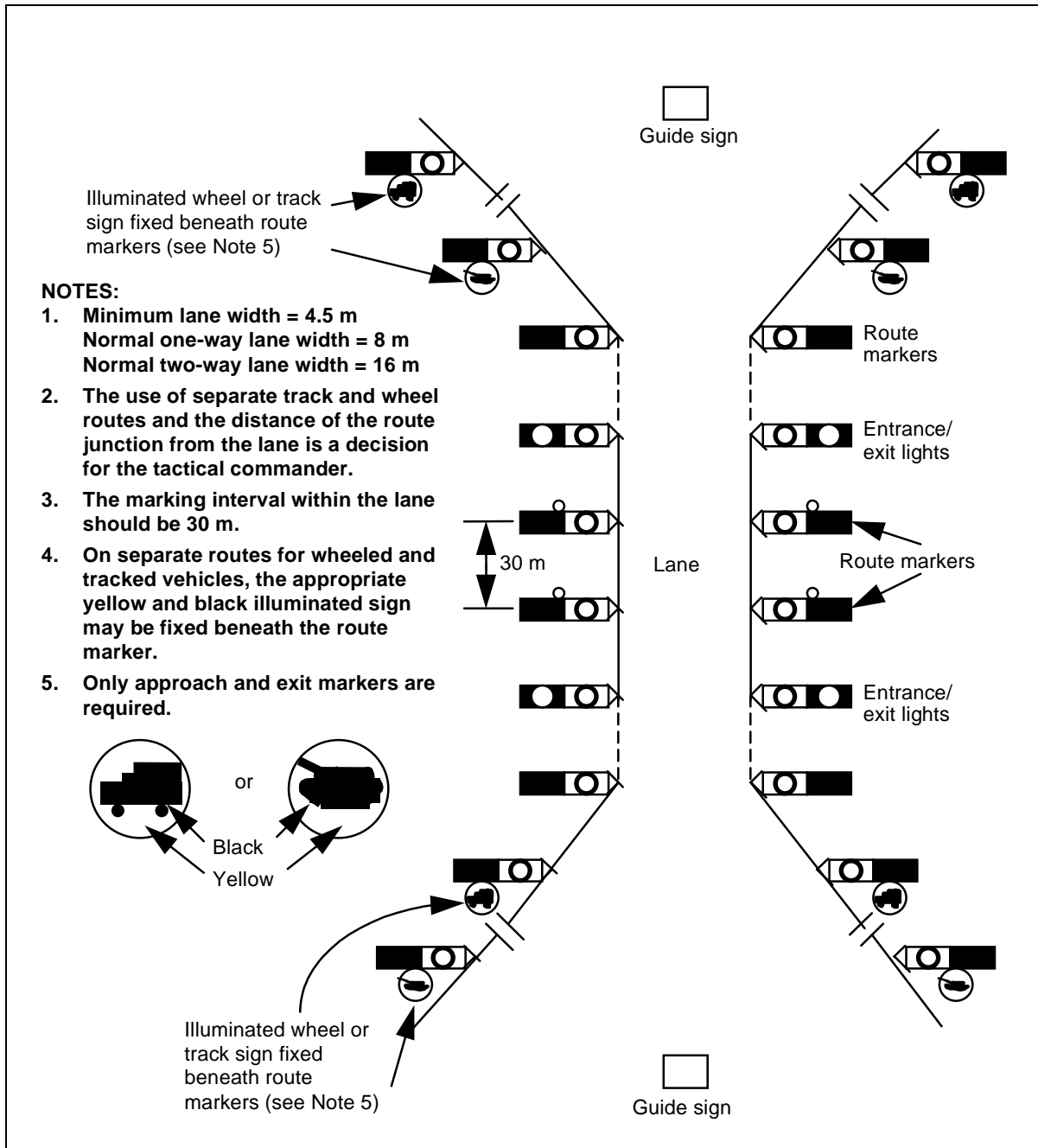


Figure 3-13. NATO Lane-Marking Standard

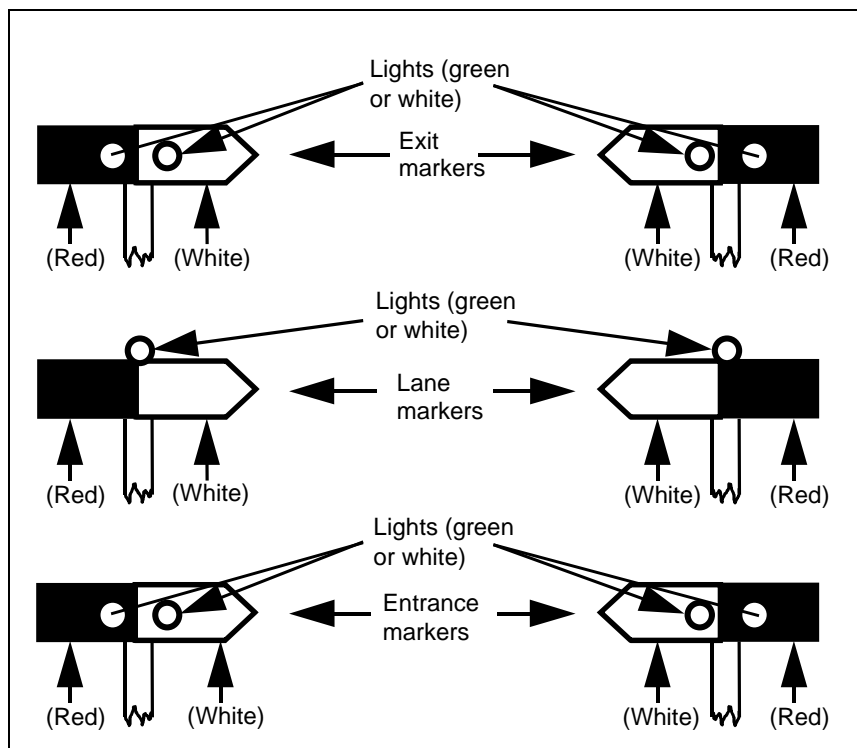


Figure 3-14. NATO Standard for Marking Lanes at Night

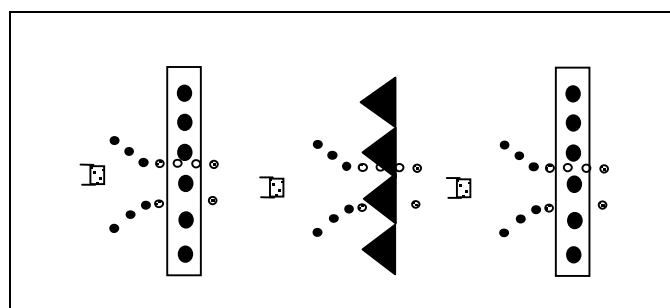


Figure 3-15. Marking a Complex Obstacle (Each Obstacle Independently Marked)



Figure 3-16. Marking a Complex Obstacle System

Chapter 4

Breaching Rehearsals

FM 101-5 gives a complete discussion of rehearsals, including types, techniques, and responsibilities. This chapter specifically discusses breaching rehearsals and considerations when conducting breaching rehearsals.

PLANNING

4-1. Rehearsals do not just happen; they must be well-planned. Successful rehearsals minimize the cost of time and maximize the understanding of the plan. Units may use a WO to establish responsibilities for preparing the rehearsal site. The WO can also identify battle drills that subordinate units should rehearse to prepare for the upcoming breaching operation. Units should include a complete rehearsal plan with an operation order (OPORD). The rehearsal plan may include a separate set of graphics if necessary.

TYPES

4-2. The five types of rehearsals are—

- Confirmation brief.
- Back brief.
- Combined-arms rehearsal.
- Support rehearsal.
- Battle drill or SOP rehearsal.

The combined-arms rehearsal and the battle drill or SOP rehearsal are most commonly used for breaching operations.

COMBINED-ARMS REHEARSAL

4-3. The maneuver unit HQ normally conducts the combined-arms rehearsal, and it is performed after subordinate units have issued their OPORD. The rehearsal ensures that subordinate plans are synchronized with those of other units and that the plans achieve the intent of the higher commander. A combined-arms rehearsal is particularly important when preparing for a complex breaching operation. It is very difficult to synchronize the actions of all the units involved in the operation.

4-4. Units should rehearse each phase of the operation, from the movement to and occupation of SBF positions through the passage of follow-on forces. The rehearsal must ensure that each unit knows how its tasks are integrated into the overall plan, in time and in space. For example, the support force must understand how long the breach force expects the reduction effort to take, so

that the support force can ensure that its plan to suppress the enemy is adequate. At the same time, the breach force must understand its relative position to the support force when it is at the obstacle location. This ensures that the breach force, while moving to and reducing the obstacle, does not unnecessarily mask the fires of the support force.

4-5. At a minimum, the following should be addressed during a combined-arms rehearsal:

- The latest information concerning the enemy obstacle system.
- Actions that the higher HQ is taking to assist the breaching operation.
- The time available for emplacing smoke and activating CFZs (include location and duration).
- The criteria for lifting/shifting direct and indirect fires.
- The commitment criteria for the breach force.
- The method used to reduce the obstacle system.
- The marking to be used. One technique is to have a marked lane near the rehearsal site. All participants should view and drive/walk through the marked lane when arriving at or departing from the rehearsal site. The marking system should also be shown at support rehearsals conducted by combat service support (CSS) elements.
- The criteria and signals for the assault force to begin moving to created lanes.

BATTLE DRILL

4-6. A battle drill or an SOP rehearsal ensures that all participants understand techniques and procedures. These rehearsals are used by all echelons; but they are used most extensively by platoons, squads, and sections. For breaching operations, a battle drill or an SOP rehearsal can include lane-marking procedures or dismounted reduction techniques. Rehearsals should be conducted often to reinforce procedures that will be used during the breaching operation.

TECHNIQUES

4-7. Rehearsal techniques are limited only by the unit's resourcefulness. Generally, six techniques are used—

- Full dress.
- Reduced force.
- Terrain model.
- Sketch map.
- Terrain map.
- Radio.

Time and resource requirements for these techniques range from extensive to minimal. As the techniques are listed above, each successive one takes a decreasing amount of time and resources to prepare and conduct. Each rehearsal technique provides a different degree of understanding to

participants. *Figure 4-1* shows the rehearsal techniques relative to time, resourcing, participation, and understanding.

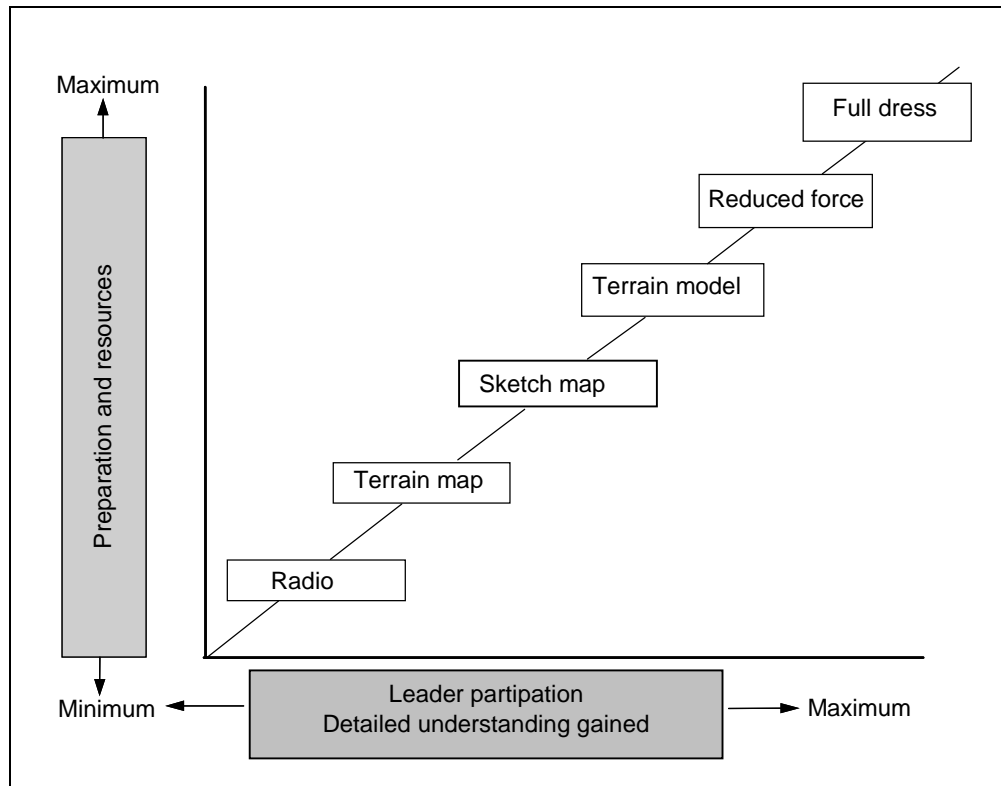


Figure 4-1. Rehearsal Techniques

4-8. When preparing for a breaching operation, use rehearsal techniques that provide the best understanding. Therefore, conduct a full-dress rehearsal if time and resources permit. Regardless of the rehearsal technique used, commanders must ensure that conditions (enemy situation, obstacle composition, visibility) are replicated in a realistic manner. For example, if a breach force is conducting a full-dress rehearsal, it should use the same obstacle system in the rehearsal as the one intelligence indicates that the enemy has emplaced. If intelligence is unavailable, the breach force should use the templated obstacle system. This requires the breach force to apply the same reduction techniques in the rehearsal that will be used during the operation.

4-9. Additionally, it is imperative that high standards be used during rehearsals. The breach force should rehearse proofing and marking obstacles. The assault force must rehearse all aspects of its assault, including the dismounted, ground fight if it is expected during the operation.

Appendix A

Metric Conversion Chart

This appendix complies with current Army directives which state that the metric system will be incorporated into all new publications. *Table A-1* is a conversion chart.

Table A-1. Metric Conversion Chart

| US Units | Multiplied By | Metric Units |
|---------------------|----------------------|---------------------|
| Feet | 0.3048 | Meters |
| Inches | 2.54 | Centimeters |
| Inches | 0.0254 | Meters |
| Inches | 25.4001 | Millimeters |
| Miles | 1.6093 | Kilometers |
| Pounds | 453.59 | Grams |
| Pounds | 0.4536 | Kilograms |
| Metric Units | Multiplied By | US Units |
| Centimeters | 0.3937 | Inches |
| Grams | 0.03527 | Ounces |
| Kilograms | 2.2046 | Pounds |
| Kilometers | 0.62137 | Miles |
| Meters | 3.2808 | Feet |
| Meters | 39.37 | Inches |
| Meters | 1.0936 | Yards |
| Millimeters | 0.03937 | Inches |

Appendix B

Threat Mine Operations

This appendix is intended to complement the information presented in other manuals on threat obstacle tactics. Commanders should use this information to give added realism to unclassified staff and combined-arms team training. Obstacle employment norms can change with METT-TC factors for a given AO. Therefore, preoperational training on templating, intelligence, recon, and reduction procedures must be based on the best information available before deployment.

MINE OPERATIONS

B-1. Threat formations contain considerable organic minefield-emplacement capability. Threat rapid-mining capability presents a serious challenge to friendly maneuver.

B-2. Armored tracked mine layers known as *GMZs* (*Figure B-1*) dispense mines at a predetermined spacing of 5.5 meters. Three GMZs can lay a 1,200-meter, three-row minefield, containing 624 mines, in 26 minutes. (This does not include the 12- to 15-minute reload and travel times; travel and reload times increase during limited visibility.) Doctrinally, this minefield would be broken into several minefields, each 200 to 300 meters long. Mine-laying helicopters also support threat mine operations. The HIP and HIND-D helicopters carry two or three dispenser pods of AP or AT mines. Artillery-fired SCATMINES can also support threat mine operations.

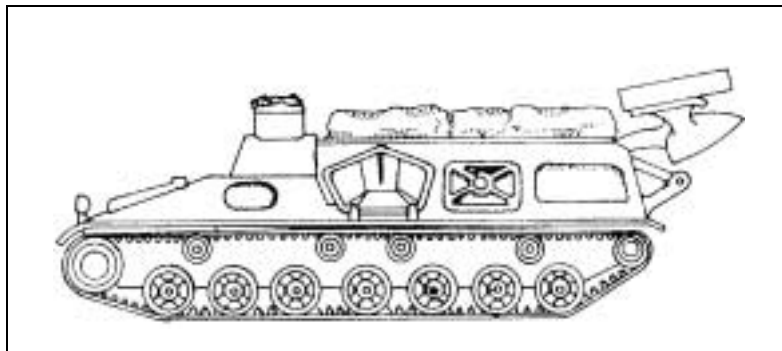


Figure B-1. GMZ Armored Tracked Mine Layer

B-3. Threat armies use obstacles extensively throughout the depth of their defense, and their tactics are chosen well. A threat rapidly emplaced minefield consists of three or four 200- to 300-meter rows, spaced 20 to 40 meters apart, with mines spaced 4 to 6 meters apart.

B-4. *Table B-1* provides detailed information on standard threat AT and AP minefields. Terrain and tactical situations dictate the actual dimensions and distances of minefields.

Table B-1. Normal Parameters for Threat-Style Minefields

| AT Minefields | |
|-----------------------------|---|
| Front (situation-dependent) | 200 to 300 meters |
| Depth | 40 to 120 meters |
| Number of rows | 3 or 4 |
| Distance between rows | 20 to 40 meters |
| Distance between mines | 4 to 6 meters for antitrack mines; 9 to 12 meters for antihull mines |
| Outlay, normal | 550 to 750 antitrack mines per kilometer; 300 to 400 antihull mines per kilometer |
| Outlay, increased effect | 1,000+ antitrack mines per kilometer; 500+ antihull mines per kilometer |
| Probability of destruction | 57 percent for antitrack mines (750 per kilometer); 85 percent for antihull mines (400 per kilometer) |
| AP Minefields | |
| Front (situation-dependent) | 30 to 300 meters |
| Depth | 10 to 150 meters |
| Distance between rows | 5+ meters for blast mines; 25 to 50 meters for fragmentation mines |
| Distance between mines | 1 meter for blast mines; 50 meters (or twice the lethal radius of fragmentation) for fragmentation mines |
| Outlay, normal | 2,000 to 3,000 HE/blast mines per kilometer; 100 to 300 fragmentation mines per kilometer |
| Outlay, increased effect | 2 to 3 times the normal outlay |
| Probability of destruction | 15 to 20 percent for HE/blast mines (2,000 per kilometer); 10 to 15 percent for fragmentation mines (100 per kilometer) |

B-5. *Figure B-2* shows a standard rapidly emplaced minefield. The threat army typically uses such a minefield when they are in a hasty defense (offense is temporarily stalled).

B-6. *Figure B-3* shows a standard antitrack minefield.

B-7. *Figure B-4*, page B-4, shows a standard antihull minefield.

B-8. *Figure B-5*, page B-4, shows a standard AP minefield.

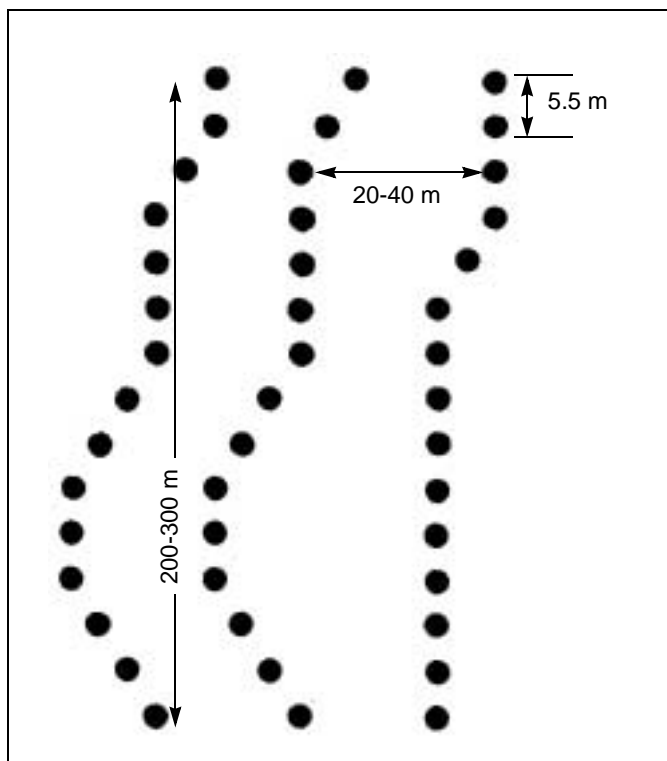


Figure B-2. Threat-Style Rapidly Emplaced Minefield

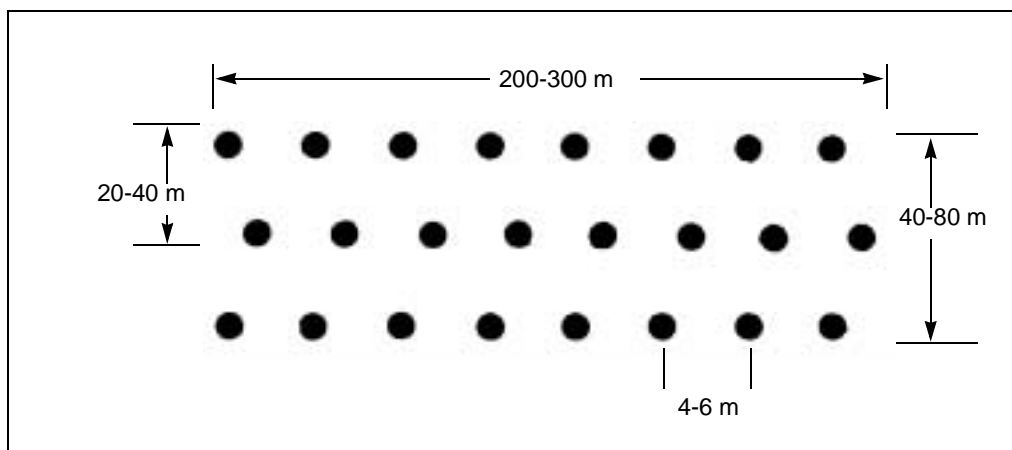


Figure B-3. Threat-Style Antitrack Minefield

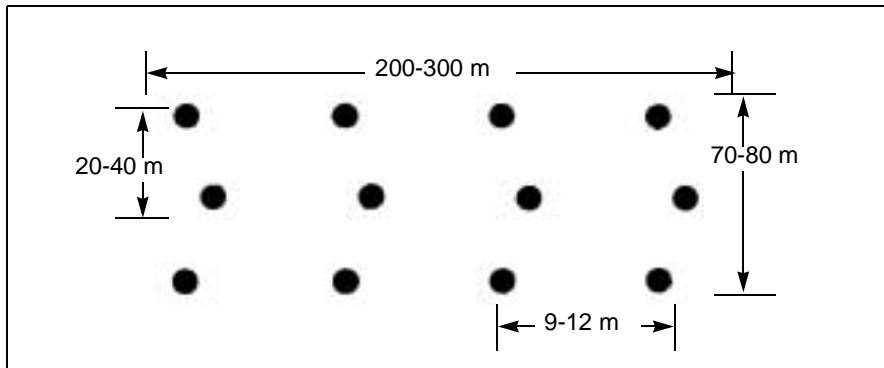


Figure B-4. Threat-Style Antihull Minefield

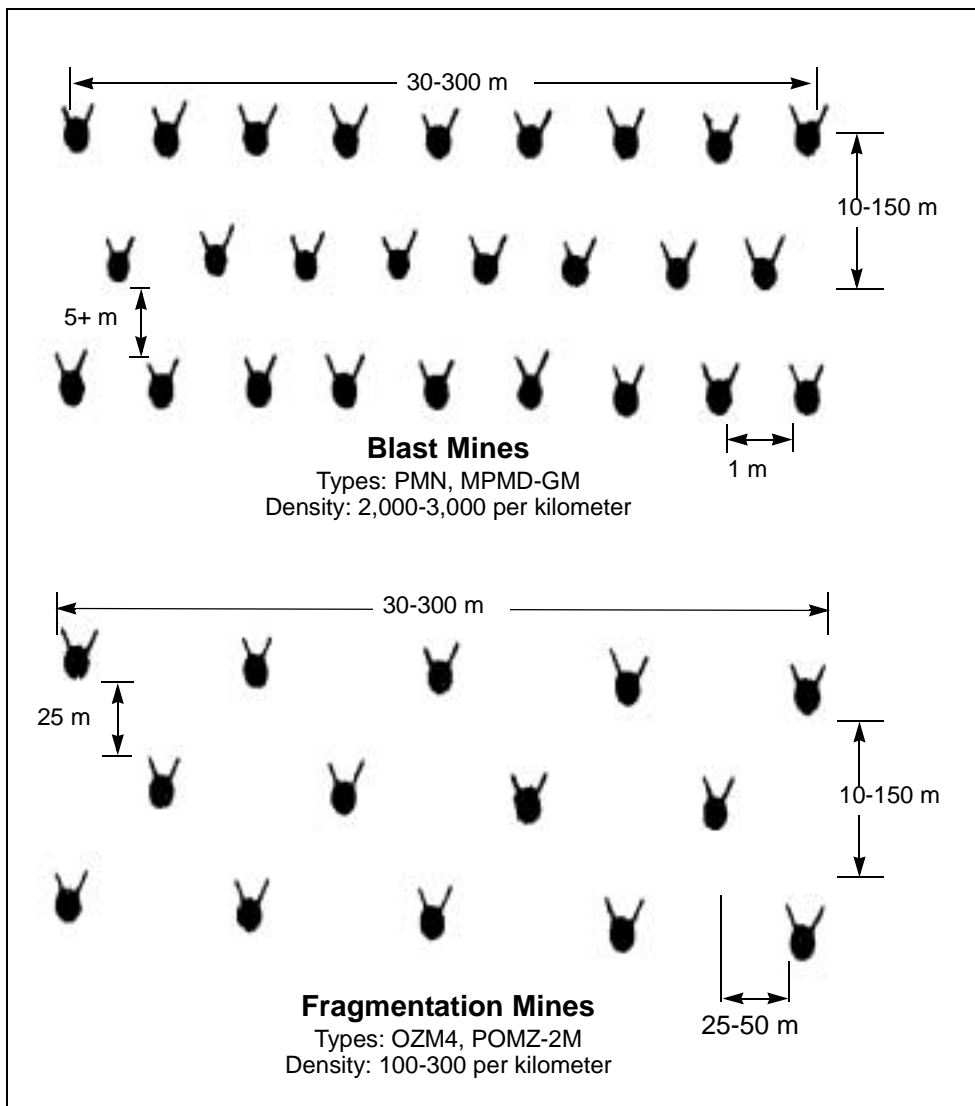


Figure B-5. Threat-Style AP Minefield

B-9. Threat armies also emplace mixed minefields. They are not the same as US mixed minefields. Threat armies normally emplace three rows of AT mines, then several rows of AP mines. AT and AP mines are not normally mixed in the same row.

B-10. Threat engineers use two fundamental drills to emplace mines:

- When emplacing armed mines, the threat uses a crew of five sappers. The first crew member (the senior man and operator) is in the mine layer's seat and monitors the operation of the mine layer and the motion of the mines in the guide chute. He also sets the mine spacing and controls the actions of the GMZ. The second and third members take the mines out of the containers and place them in the intake chute at intervals between the guide tray's drive chain. The GMZ driver steers the vehicle along the indicated route at the established speed.
- When emplacing unarmed mines, the threat uses two or three additional sappers to arm the mines. After emplacing the mines, one sapper trails the mine layer, marks emplaced mines with pennants, and partially camouflages the mines. The remaining sapper(s) then arm the mines.

B-11. Special precautions are taken when emplacing AP minefields. Threat doctrine only allows PMN mines to be surface-laid from mine layers. POMZ-2M mines are emplaced with the truck-and-tray technique. Extra effort is required to assemble, emplace, and deploy the trip wire and to camouflage the POMZ-2M mine.

B-12. Threat forces may also have ground-emplaced SCATMINE capability. One such system is the UMZ SCATMINE system (*Figure B-6*). The UMZ consists of six firing modules mounted on the back of a Zil-131 truck. Each module has 30 firing tubes, for a total of 180 firing tubes per system. Depending on the type of minefield desired, the UMZ can lay 180 to 11,520 mines without reloading. The UMZ can launch an AT or AP minefield 30 to 60 meters from the vehicle while the truck is driving 10 to 40 kilometers per hour (kph). It takes two men 1½ to 2 hours to reload the UMZ. One UMZ can lay a three-row minefield, 150 to 1,500 meters long, depending on the type of mine that is used.

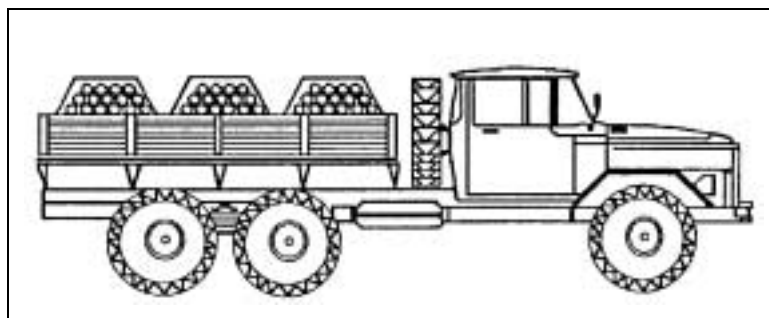


Figure B-6. UMZ SCATMINE System

B-13. For hand-emplaced SCATMINES, there is a man-portable SCATMINE dispenser. The PKM weighs 2.63 kilograms (without the mine canister) and consists of a single launch tube with a base mount, a blasting machine, and a reel of electric ignition wire. The operator loads a propelling charge and a mine canister into the launch tube and mounts the tube on the edge of a trench or firing parapet. He then aims the tube, connects the ignition wire to the tube, and moves to a safe distance. At an initiating point, the operator connects the ignition wire to the blasting machine and initiates the system. The PKM propels the canister 30 to 100 meters, depending on the type of mine. It lays an AP minefield that is 10 by 20 meters (POM-1S or PFM-1S mine canister) or 10 by 40 meters (POM-2S mine canister). It takes a trained operator 5 minutes to set up the PKM and create a minefield. The PKM can also be used to launch the PTM-1S and PTM-3 AT mine canisters.

B-14. Threat forces use the PKM to lay minefields that protect subunit positions and flanks and the boundaries between subunits. PKM-laid minefields also cover firing lines and gaps in combat formations. The PKM can quickly close breaches in existing minefields and increase the density of mines on armor AAs.

B-15. The type and complexity of an obstacle depend on the installing unit. Maneuver and artillery soldiers usually install simple single-system minefields that are protective in nature. Engineer soldiers install complex obstacles that can include AHDs. Engineer obstacle placement is usually equipment-intensive. Threat engineer effort generally concentrates on tactical obstacles unless maneuver soldiers are unable to employ the necessary protective obstacles. Threat units continue to improve obstacles, supporting their positions by marking the friendly side of the obstacles, burying mines, and adding AHDs.

FOREIGN-MINE DATA

B-16. *Tables B-2 through B-7, pages B-7 through B-11, provide details on foreign AT and AP mines and mine delivery systems.*

Table B-2. Foreign Track-Width AT Mines

| Origin | Mechanically Planted | Scatterable | Metallic | Nonmetallic | Simple Pressure | Double Impulse | Blast Hardened | AHD |
|---------|--------------------------------------|-----------------|-------------------------|---|-------------------------|--------------------|---|--|
| Russia | TM-46 TM-57 TM-62 | PTM-1 | TM-46 TM-57 TM-62 | TM-62B TM-62D TM-62P | TM-46 TM-57 TM-62 | | TM-46 TM-57 | TMN-46 |
| China | Type 72 | Type 84B | Type 72 | Type 72 | Type 84B | Type 72 | Type 72 | |
| Yug | TMM-1 | | TMM-1 | TMA-1 TMA-2 TMA-3 TMA-4 TMA-5 | TMA-1 TMA-2 TMA-5 | | TMA-3 TMA-4 | TMM-1 TMA-1 TMA-2 TMA-3 TMA-4 TMA-5 |
| Czech | PT-MI-K PT-MI-BA III | | PT-MI-K PT-MI-D | PT-MI-BA II PT-MI-BA III | PT-MI-BA III PT-MI-D | | PT-MI-K PT-MI-BA II | PT-MI-K PT-MI-D |
| Italy | VS-1.6 VS-2.2 TC-.6/6 SB-81 | VS-1.6 SB-81 | | VS-1.6 VS-2.2 TC-.6/6 SB-81 | | | VS-1.6 VS-2.2 TC-3.6 TC-6 SB-81 | VS-1.6 VS-2.2 |
| France | M-51 M-52 | | | M-51 M-52 | M-51 M-52 | | | M-51 |
| UK | L9 Barmine MK-7 | | MK-7 | L9 Barmine | L9 Barmine MK-7 | L9 Barmine MK-7 | | L9 Barmine |
| Germany | PM-60 DM-11 | | DM-21 | PM-60 DM-11 | PM-60 DM-11 DM-21 | | | PM-60 DM-11 DM-21 |

Table B-3. Foreign Full-Width AT Mines

| Origin | Mechanically Planted | Scatterable | Tilt Rod | Magnetic Influence | Seismic Influence | Coupled | AHD |
|---------|-----------------------------|--------------------|----------------------------|---|-------------------------|-------------|---|
| Russia | TM-62 TM-72 TM-89 | PTM-3 | TMK-2 | TM-62 TM-72 TM-89 | TM-62 TM-72 TM-89 | | TM-62 TM-72 TM-89 |
| China | | | Type 84C | Type 84A | | | Type 84A |
| Yug | TMRP-6 | KB-2 | TMRP-6 | TMRP-6 KB-2 | | | TMRP-6 KB-2 |
| Czech | | | PT-MI-P | | | | |
| France | HPD series | Lance | M-51 M-52 Model 1954 | HPD series | | Model 1953 | HPD series M-51 Lance |
| Hungary | UKB-63 | | UKB-63 | | | | UKB-63 |
| Italy | VS-HCT VS-HCT-2 SB-MV | VS-SATM1 VS-HCT | | VS-HCT VS-HCT-2 SB-MV VS-SATM1 | | Fuse option | VS-HCT VS-HCT-2 SB-MV VS-SATM1 |
| Sweden | FFV-028 | | | FFV-028 | | Fuse 15 | FFV-028 |
| UK | L9 Barmine | HB-876 | L9 Barmine MK-7 | L9 Barmine HB-876 | | | L9 Barmine MK-7 HB-876 |
| Germany | DM-31 | AT-2 MIFF | AT-2 | DM-31 MIFF | | | DM-31 AT-2 MIFF |
| Romania | | | | | | MC-71 | |

Table B-4. Foreign Pressure-Fused AP Mines

| Origin | Scatterable | Low Metal | Simple Pressure | Small Diameter | Low-Operating Threshold | Pronged Fuse | Blast Hardened | AHD |
|---------|-----------------------------------|--------------------------|--------------------------------|----------------|-------------------------------|---------------------------|-----------------------------------|--------------------------|
| Russia | PFM-1 | | PMN PMD-6 | | PMN PMD-6 PFM-1 | OZM series | PMN-2 | |
| China | GLD-111 | Type 72A GLD-111 | Type 72A Type 58 GLD-111 | GLD-111 | Type 72 Type 58 GLD-111 | | | Type 72A Type 72B |
| Yug | | PMB-1 PMB-2 PMB-3 | PMA-1 PMD-1 | | PMA-1 PMA-3 PMD-1 | PROM-1 PROM-2 PMR-3 | PMA-2 PMA-3 | |
| Czech | | | PP-MI-D PP-MI-BA | | PP-MI-D | PP-MI-SR PP-MI-SR II | | |
| Italy | TS-50 VS-50 SB-33 VS-MK2 | TS-50 SB-33 VS-MK2 | | | | Valmara 59 Valmara 69 | TS-50 VS-50 SB-33 VS-MK2 | VS-50 SB-33 VS-MK2 |
| France | | M-59 | | M-59 | M-59 | | M-59 | |
| UK | Ranger | | Ranger | Ranger | | | | |
| Germany | | DM-11 | PPM-2 | | DM-11 | | DM-11 | |

Table B-5. Foreign Side-Attack AT Mines

| Origin | Command | Break Wire | Influence | AHD |
|---------|------------------------|---------------|-----------|------|
| Russia | MON-100/200/500, TM-83 | LMG | TM-73/83 | |
| Yug | | TMRP-6, COBRA | | |
| France | MIACAH F1 | MIACAH F1 | MIACAH F1 | |
| UK | L14 | L14 | AJAX | AJAX |
| Germany | | | DM-12 | |
| Sweden | | FFV-016, AT-4 | | |

Table B-6. Foreign Trip-Wire/Break-Wire-Fused AP Mines

| Origin | Scatterable | Trip Wire | Break Wire |
|---------|-------------|--|------------------------------|
| Russia | POM-2 | POMZ-2, OZM series, MON series | OZM series, MON series |
| China | | Type 58, Type 59, Type 66, Type 69 | |
| Yug | | PROM-1/2/KD, PMR-2/3/4, MRUD | PROM-1/2/KD, PMR-2/3/4, MRUD |
| Czech | | PP-MI-SR, PP-MI-SR II, PP-MI-SK | |
| Italy | VS-SAPFM3 | Valmara 59/69, BM-85, P-25, P-40, VS-DAFM1 | |
| France | | M1951/1955, MAPED F1 | M1951/1955 |
| UK | | PAD | |
| Germany | | DM-31, SM-70 | |

Table B-7. Foreign Mine Delivery Systems

| Origin | System | Type ¹ | Range | Mine Payload | Density ² | Remarks |
|--------|-----------|-------------------|-------|-----------------------|----------------------|--|
| Russia | BM-21 | R | 20 km | PTM 1/3, POM-2 | 1.5 | 1,000 x 500 m per battery |
| | BM-22 | R | 35 km | PTM 1/3, POM-2 | 1.5 | |
| | BKPI | F, H | NA | PTM 1/3, PFM-1, POM-2 | 1.5 | Lays relatively narrow strips |
| | KSMU | F | NA | PTM 1/3, PFM-1, POM-2 | 1.5 | |
| | UMZ | V | NA | PTM 1/3, POM-2 | 1.5 | |
| | GMZ/PMZ-4 | MP | NA | Varies | 0.4 to 1.0 | 3 systems can emplace 1,200 m with 624 mines in 26 minutes |
| | VMR-1/2 | H | NA | Varies | 0.4 to 1.0 | 3 Mi-8s can lay 1,200 to 3,000 m with 1,200 mines |
| China | Type 83 | R | 15 km | Type 84 | 0.5 | 900 x 800 m per battery |
| Yug | M87 | R | 50 km | KB-2 | 0.5 | 900 x 500 m per battery |

Table B-7. Foreign Mine Delivery Systems (continued)

| Origin | System | Type ¹ | Range | Mine Payload | Density ² | Remarks |
|---|---------------|-------------------|-------|-------------------------------|----------------------|--|
| Italy | FIROS 25 | R | 22 km | VS-HCL, VS-Mk, VS-SAPFM 3 | 0.5 | |
| | FIROS 30 | R | 35 km | VS-HCL, VS-Mk, VS-SAPFM 3 | 0.5 | |
| | DAT | H | NA | Varies | 1.2 | Lays relatively narrow strips of up to 320 AT mines |
| | Istrice | V | NA | SATM1, VS-Mk 2 EL, VS-SAPFM 3 | Max 1.6 | Typically 360 x 140 m |
| | ST-AT/V | MP | NA | Varies | 0.3 to 1.5 | 240 mines per hour |
| | Grillo 90 | MD | NA | SATM1, VS-Mk 2 EL | 0.5 | 5 AT or 15 AP mines per dispenser |
| Sweden | FFV-5821 | MP | NA | FFV-028 | 0.4 to 1.4 | 300 buried mines per hour or 500 surface-laid mines per hour |
| France | Minotaur | V | NA | Lance | 0.7 | 1,200 x 600 m with 800 mines |
| | EBG | V | NA | Lance | 1.5 | 60 x 600 m with 40 mines |
| | 155-mm How | A | 18 km | Lance | | 8 mines per round |
| | Matenin | MP | NA | HPD series | 0.4 to 1.4 | 500 mines per hour |
| UK | JP-233 | F | NA | HB 876 | | 430 mines per Tornado aircraft |
| | Barmine layer | MP | NA | L9 Barmine | 0.4 to 0.9 | Lays up to 700 mines per hour |
| | Ranger | V | NA | L10 | | 1,296 mines per dispenser |
| Germany | Skorpion | V, H | NA | AT-2 | 0.4 | 1,500 x 50 m with 600 mines |
| | MW-1 | F | NA | MIFF, MUSPA | 0.5 | 55 to 500 m wide and 200 to 2,500 m |
| | LARS | R | 14 km | AT-2 | 0.5 | 1,836 AT mines per launcher, 1,000 x 500 m per battery |
| | MARS | R | 30 km | AT-2 | 0.3 | 1,000 x 500 m with 336 AT mines per launcher |
| | FFV-5821 | MP | NA | DM-31 | 0.4 to 1.4 | 300 buried mines per hour or 500 surface-laid mines per hour |
| ¹ A = artillery, H = helicopter, F = fixed-wing aircraft, R = rocket, V= vehicle dispensed, MD = man-portable dispenser, MP = mechanical planter | | | | | | |
| ² AT mines per meter of front | | | | | | |

Appendix C

Obstacle-Reduction Techniques

Obstacle reduction is the physical creation of a lane through an obstacle. It is a fundamental of breaching operations as discussed in earlier chapters. A number of tasks (detecting, reporting, reducing, proofing, and marking) directly support or are included in obstacle reduction.

DETECTING

C-1. Detection is the actual confirmation of the location of obstacles. It may be accomplished through recon, or it may be unintentional (such as a vehicle running into a mine). Detection is used in conjunction with intelligence-gathering operations, bypass recons, and breaching and clearing operations. There are four types of detection methods—visual, physical (probing), electronic, and mechanical.

VISUAL

C-2. Visual detection is part of all combat operations. Personnel visually inspect the terrain for the following obstacle indicators:

- Trip wires.
- Signs of road repair (such as new fill or paving, road patches, ditching, and culvert work).
- Signs placed on trees, posts, or stakes. Threat forces mark their minefields to protect their own forces.
- Dead animals.
- Damaged vehicles.
- Disturbances in previous tire tracks or tracks that stop unexplainably.
- Wires leading away from the side of the road. They may be firing wires that are partially buried.
- Odd features in the ground or patterns that are not present in nature. Plant growth may wilt or change color, rain may wash away some of the cover, the cover may sink or crack around the edges, or the material covering the mines may look like mounds of dirt.
- Civilians who may know where mines or booby traps are located in the residential area. Civilians staying away from certain places or out of certain buildings are good indications of the presence of mines or booby traps. Question civilians to determine the exact locations.
- Pieces of wood or other debris on a road. They may be indicative of pressure or pressure-release firing devices (FDs). These devices may be on the surface or partially buried.

- Patterns of objects that could be used as a sighting line. An enemy can use mines that are fired by command, so road shoulders and areas close to the objects should be searched.
- Berms. They may indicate the presence of an AT ditch.

PHYSICAL

C-3. Physical detection (probing) is very time-consuming and is used primarily for mine-clearing operations and self-extraction. Detection of mines by visual or electronic methods should be confirmed by probing. Use the following procedures and techniques when probing for mines:

- Roll up your sleeves and remove your jewelry to increase sensitivity. Wear a Kevlar™ helmet, with the chin strap buckled, and a protective fragmentation vest.
- Stay close to the ground and move in a prone position to reduce the effects of an accidental blast. When moving into a prone position—
 - Squat down without touching your knees to the ground.
 - Scan forward up to 2 meters and to the sides up to 3 meters for mine indicators.
 - Probe the area around your feet and as far forward as possible.
 - Kneel on the ground after the area is found to be clear, and continue probing forward until you are in a prone position.
- Use sight and touch to detect trip wires, fuses, and pressure prongs.
- Use a slender, nonmetallic object as a probe.
- Probe every 5 centimeters across a 1-meter front.
- Push the probe into the ground gently at an angle that is less than 45 degrees.

DANGER

Use extreme caution when probing. If the probe is pushed straight down, its tip may detonate a pressure fuse.

- Apply just enough pressure on the probe to sink it slowly into the ground.
- Pick the soil away carefully with the tip of the probe. Remove the loose dirt by hand if the probe encounters resistance and does not go into the ground freely. Take care to prevent detonating the mine.
- Stop probing and use two fingers from each hand to carefully remove the surrounding soil when a solid object is touched and identify the object.
- Remove enough soil to show the mine type (if the object is a mine) and mark its location. Do not attempt to remove or disarm the mine. Use explosives to destroy detected mines in place or use a grappling hook and rope to cause mines to self-detonate. Do not use metal grappling hooks on magnetic-fused mines.

C-4. Probing is extremely stressful and tedious. The senior leader must set a limit to the time a prober will actually probe. To determine a reasonable time, the leader must consider METT-TC factors, weather conditions, the threat level, the unit's stress level, and the prober's fatigue level and state of mind. As a rule, 20 to 30 minutes is the maximum amount of time that an individual can probe effectively.

ELECTRONIC

C-5. Electronic detection is effective for locating mines, but this method is time-consuming and exposes personnel to enemy fire. In addition, suspected mines must be confirmed by probing.

C-6. The AN/PSS-12 mine detector (*Figure C-1*) can only detect metal, but most mines have metal components in their design. The detector can locate and identify plastic or wooden mines by a slight metallic signature. Employment and operation procedures for the AN/PSS-12 are discussed in *FM 20-32*, and technical data is available in *Technical Manual (TM) 5-6665-298-10*. The detector is handheld and identifies suspected mines by an audio signal in the headphones.

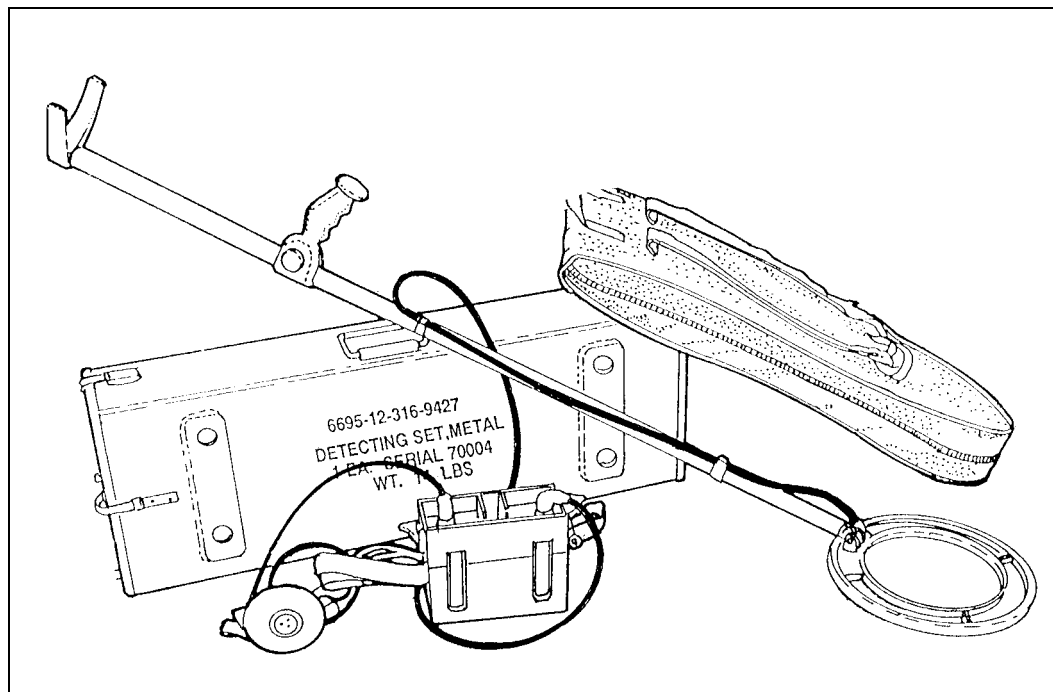


Figure C-1. AN/PSS-12 Mine Detector

C-7. As in probing, consideration must be taken for the maximum amount of time an individual can operate the detector. As a rule, 20 to 30 minutes is the maximum amount of time an individual can use the detector effectively.

MECHANICAL

C-8. The track-width mine roller is a mechanical minefield-detection system. It is most effectively deployed to lead columns on route movement, but it can be used to precede tactical formations. In column movement, unit vehicles travel a narrow path and one or two mine rollers can effectively detect mines in the path. Mine rollers can also be used to detect minefields in front of deployed tactical formations, although more than one roller is required for a good probability of detection.

REPORTING

C-9. Intelligence concerning enemy minefields is reported by the fastest means available. Spot reports (SPOTREPs) are the tactical commander's most common source of minefield intelligence. They originate from patrols that have been sent on specific minefield recon missions or from units that have discovered mine information in the course of their normal operations. The information is transmitted to higher HQ.

REDUCING

C-10. Obstacle-reduction and clearing equipment is broken down into explosive, mechanical, electronic, and manual. Combat engineers and the operators of reduction assets practice and become proficient in these reduction means. They integrate them into breach drills of units they support. The team applies different tactics, techniques, and procedures (TTP) to breach drills and prepares and rehearses them as part of the TF plan. *Tables C-1 through C-4, pages C-5 through C-11, provide a summary of the effectiveness of reduction assets against the various types of obstacles that may be encountered.*

Table C-1. Mechanical Reduction Assets Versus Threat Obstacles

| Asset | Track-Width AT Mine | Full-Width AT Mine | Side-Atk AT Mine | Cmd-Det Blast Mine | AT Ditch and Other Gaps | Wire Obstacles | Remarks |
|-------|---|---|------------------|--------------------|--|----------------|---|
| IDA | Is more than 90 percent effective to 30.4 cm deep at speeds less than 10 kph (soil dependent) | Is effective against magnetic-influence mines; is more than 99 percent effective against tilt-rod mines | Do not use | Do not use | May be effective at filling in some shallow gaps or trenches | Do not use | <p>The MCB provides almost 100 percent clearance of simple pressure-fused AT mines when used with the MICLIC.</p> <p>The MCB has minimal impact on the M1's maneuverability and speed when not plowing.</p> <p>The main gun should be traversed to the side to prevent damage in case the mine detonates when plowing.</p> <p>The point of breach should be relatively flat and free of large rocks and other obstructions.</p> <p>Plowing operations should begin about 100 m short of the suspected minefield and continue 100 m past its suspected end (typically 2 to 2½ minutes to cover 300 to 400 m overall).</p> <p>Plowing operations should be performed in a straight line to keep the vehicle out of uncleared ground.</p> <p>Fifteen percent of pressure-fused AT-mine encounters across the MCB's width can be expected to detonate under the skid shoe, probably disabling the blade.</p> <p>The MCB is vulnerable to coupled mines and may be stopped by log-hurdle obstacles laid within a minefield as part of a complex obstacle.</p> <p>A second plow should not be used to clear the center of the lane because this will simply push mines into the area cleared by the first plow.</p> |

Table C-1. Mechanical Reduction Assets Versus Threat Obstacles (continued)

| Asset | Track-Width AT Mine | Full-Width AT Mine | Side-Atk AT Mine | Cmd-Det Blast Mine | AT Ditch and Other Gaps | Wire Obstacles | Remarks |
|--------------|---|---|------------------|--------------------|---|----------------------------------|---|
| MCR with IDA | Is more than 90 percent effective to 30.4 cm deep at speeds less than 10 kph (soil dependent) | Is effective against magnetic-influence mines; is more than 99 percent effective against tilt-rod mines | Do not use | Do not use | Do not use | Is effective against barbed wire | Multiple rollers are required to provide the overlap necessary for proofing the route's entire width when the MCR is used for proofing during route-clearance operations. Vehicle speed is limited to 5 to 15 kph. The main gun should be traversed to the side to prevent damage in case the mine detonates when rolling a suspected mined area. The IDA may be damaged by detonated mines. |
| AVLB | NA | NA | NA | NA | Can cross up to MLC 60 (70 if improved) traffic over gaps up to 17.4 m (unprepared abutments) and 18.3 m (prepared abutments) | NA | Is carried on a launcher (modified M48A5 or M60A1 chassis) Weighs 15 tons (bridge only) Can be launched in 2 to 5 minutes |
| Wolverine | NA | NA | NA | NA | Can cross MLC 70 traffic over gaps up to 24 m | NA | Is carried on a launcher (modified M1-series Abrams tank chassis) Weighs 12.5 tons (bridge only) Can be launched in less than 5 minutes |
| ACE | NA | NA | NA | NA | Is very effective | NA | |

Table C-1. Mechanical Reduction Assets Versus Threat Obstacles (continued)

| Asset | Track-Width AT Mine | Full-Width AT Mine | Side-Atk AT Mine | Cmd-Det Blast Mine | AT Ditch and Other Gaps | Wire Obstacles | Remarks |
|--------------|--|---------------------------|-------------------------|--|--------------------------------|-----------------------|--|
| MiniFlail | Is effective against simple pressure-fused AP mines Is less effective against blast-hardened AP mines | Is effective | Is ineffective | Is armored against fragmenting threats Is vulnerable to command-detonated blast mines | NA | Do not use | AT mines can destroy the MiniFlail. Commanders must weigh the use of the MiniFlail against other reduction assets when conducting minefield-clearance operations. Can clear at the rate of about 1,500 square meters per hour |

Table C-2. Manual Reduction Assets Versus Threat Obstacles

| Asset | Pressure-Fused AP Mine | Trip-Wire/Break-Wire-Fused AP Mine | Influence-Fused AP Mine | Cmd-Det Blast Mine | AT Ditch and Other Gaps | Wire Obstacles | Remarks |
|-------------------|--|--|---|---|-------------------------|--|--|
| APOBS | Effectively clears 95 percent, including blast-resistant types | Effectively cuts 99 percent of trip wires in its path | Is ineffective | Is ineffective | NA | Clears a footpath | Provides a 0.6- x 45-m footpath from a 25-m standoff Can be deployed by two men in 2 minutes Consists of two manpack units weighing about 55 lbs each |
| Bangalore torpedo | Effectively clears 85 percent of simple pressure-fused mines; is less effective against blast-hardened mines | Effectively cuts 99 percent of trip wires in its path | Is ineffective | Is ineffective | NA | Clears a footpath | Provides a 0.6- x 15-m footpath Can be deployed by a squad in 5 minutes Consists of ten 1.5-m-long sections weighing 13 lbs each Is ineffective against AT mines |
| WLGH | Is ineffective | Effectively clears 99 percent of trip wires/break wires in a single pass | Is ineffective; however, it may snag the wires between the control unit and its mines | Is ineffective; however, it may snag the wires between the observer and his mines | NA | Is somewhat effective at clearing trip-wire-fused mines integrated with wire obstacles | Has a range of 80 to 100 m when launched Can be thrown 15 to 20 m when hand thrown Must consider the lethal range/radius (up to 90 m in some cases) of fragmenting AP mines that may be encountered. Select a covered position or move back an adequate distance before pulling the grapnel. Helps increase confidence by grappling an area several times Is hampered by thick vegetation/overhead obstructions that may reduce the WLGH's range/effectiveness |

Table C-2. Manual Reduction Assets Versus Threat Obstacles (continued)

| Asset | Pressure-Fused AP Mine | Trip-Wire/Break-Wire-Fused AP Mine | Influence-Fused AP Mine | Cmd-Det Blast Mine | AT Ditch and Other Gaps | Wire Obstacles | Remarks |
|-------------|--|--|-------------------------|--|-------------------------|--|---|
| Probe | Is effective at locating all buried mines; however, extreme caution should be used when probing for small mines (less than 7.6 cm in dia) and sensitive mines (more than 10 lb of actuating force) | Is ineffective; the soldier must rely on clearance by other means and visual detection | Do not use | Ensure that observer is neutralized before approaching | NA | Is ineffective | |
| Wire cutter | Is ineffective | Do not cut a slack wire until both ends have been checked if break-wire-fused mines may be present. Do not cut taut trip wires until both ends have been checked for tension-release FDs | Do not use | Ensure that observer is neutralized before approaching | NA | Is effective; sound can be minimized by wrapping the wire with a cloth before cutting it | |
| Gunfire | Is effective against surface-laid munitions | Is effective against surface-laid munitions | Do not use | Is effective against surface-laid munitions | NA | Is ineffective | Is used as a last resort Is a relatively slow method for clearing visually detected ordnance Ensures protection of weapons operator Works better with larger caliber weapons (up to 25 mm); incendiary ammo works best May be the only option open to artillery, MP, and transportation units for dealing with SCATMINES in the absence of engineers and reduction assets |

Table C-3. Dismounted Breaching Assets Versus Threat Obstacles

| Asset | Pressure-Fused AP Mine | Trip-Wire/ Break-Wire-Fused AP Mine | Influence-Fused AP Mine | Cmd-Det Blast Mine | AT Ditch and Other Gaps | Wire Obstacles | Remarks |
|-----------------|---|--|--|--|-------------------------|--|---------|
| Demolitions | Place at least a 1-lb charge within 15.2 cm of simple pressure-fused mines Ensure that the charge is placed within 2.54 cm of blast-hardened mines | Place at least a 1-lb charge within 15.2 cm of the mine after the mine at the end of a trip wire has been located Can use elevated charges if necessary against the claymore and stake-type mines | Do not use | Ensure that observer is neutralized before approaching Can use elevated charges if necessary against claymore mines | NA | Is effective when used to make an improvised bangalore torpedo | |
| Blast overshoes | May be effective against very small (up to 1 oz of explosive) mines Is ineffective against mines with more than 1-oz explosive weight | Can reduce casualty severity against fragmenting mines | Can reduce casualty severity against fragmenting mines | Ensure that observer is neutralized before approaching Can reduce casualty severity | NA | Is ineffective | |
| IBASIC | Will protect personnel near the individual who detonates a pressure-fused AP mine | Can reduce casualty severity against fragmenting mines | Can reduce casualty severity against fragmenting mines | Ensure that observer is neutralized before approaching Can reduce casualty severity | NA | Is ineffective | |

Table C-4. Electronic Detection Assets Versus Threat Obstacles

| Asset | Pressure-Fused AP Mine | Trip-Wire/ Break-Wire-Fused AP Mine | Influence-Fused AP Mine | Cmd-Det Blast Mine | AT Ditch and Other Gaps | Wire Obstacles | Remarks |
|-----------|---|--|-------------------------|--|-------------------------|----------------|---|
| AN/PSS-12 | <p>Is very effective at finding metallic mines</p> <p>Is less effective against low-metal mines</p> | <p>Is effective at finding metallic trip wires and the fragmenting mines to which they are normally attached</p> <p>Cannot detect monofilament fishing line used for trip wires; it is undetectable by the AN/PSS-12. Visual detection and other neutralization means should be used first</p> | Do not use | Ensure that observer is neutralized before approaching | NA | Is ineffective | Is less effective against low-metal mines and in areas contaminated with metal fragments (artillery, mortar, small arms) or areas that have heavily mineralized soils |

EXPLOSIVE

C-11. The different types of explosive minefield-reduction and clearing equipment are discussed below.

M58A4 Mine-Clearing Line Charge

C-12. The MICLIC (*Figure C-2*) is a rocket-propelled, explosive line charge. It is used to reduce minefields that contain single-impulse, pressure-activated AT mines and mechanically activated AP mines. It clears a 14- by 100-meter path. The MICLIC has a 62-meter standoff distance from the launcher to the detonation point. The MICLIC's effectiveness is limited against prong AP mines, magnetically activated mines (including some SCATMINES), top-attack mines, side-attack mines, and mines containing multiple-impulse or delay-time fuses. It also has little effect on other obstacles, such as log and concrete barriers, antivehicular ditches, and walls. The shock effect and the psychological impact of the detonation make the MICLIC a useful weapon in a close fight or in urban areas.

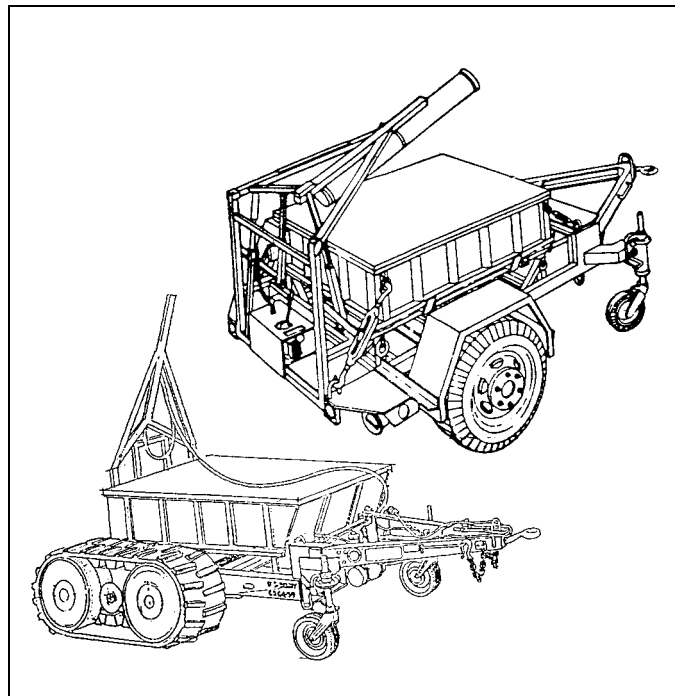


Figure C-2. MICLIC

NOTE: See *Figures C-3* and *C-4* for information on the MICLIC's surface danger zone.

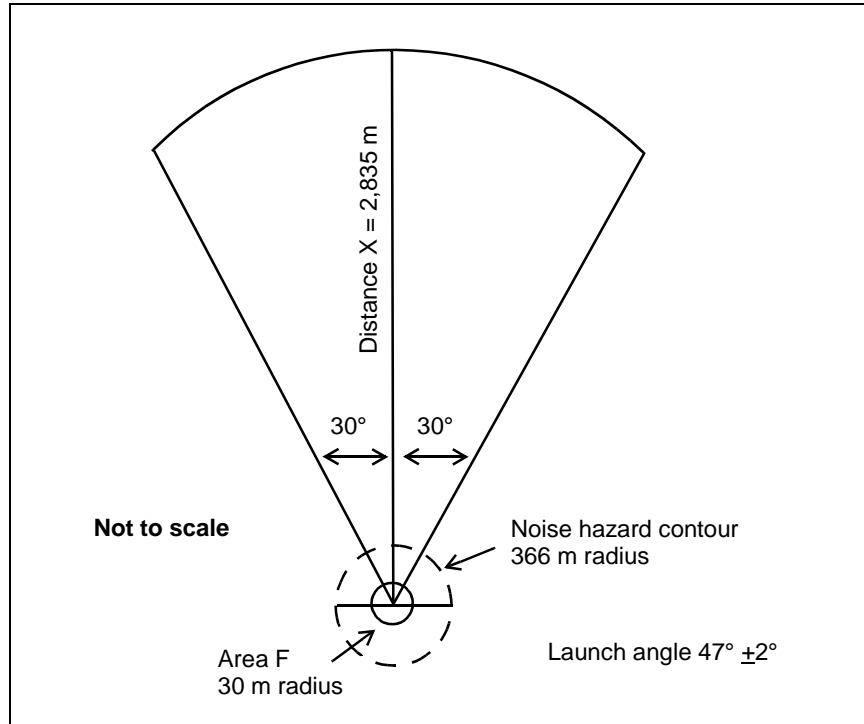


Figure C-3. Surface Danger Zone for Firing the MICLIC

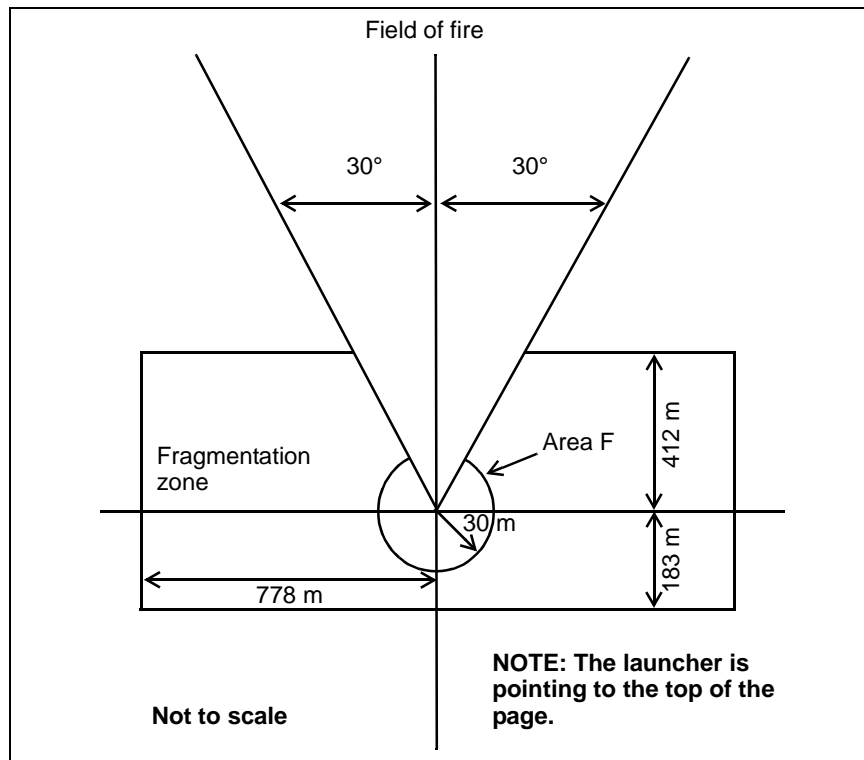


Figure C-4. Area F and Fragmentation Zone (in Detail) for Firing the MICLIC

C-13. The MICLIC is mounted on a rubber-tired trailer, or two MICLICs can be mounted on an AVLB, with the bridge downloaded using a fabricated I-beam frame. Procedures for mounting the MICLIC on the AVLB are outlined in *TM 9-1375-215-14&P*. This is called an armored vehicle-launched MICLIC (AVLM) (*Figure C-5*) and may be the preferred system because no trailer is involved to hinder the mobility of the vehicle.

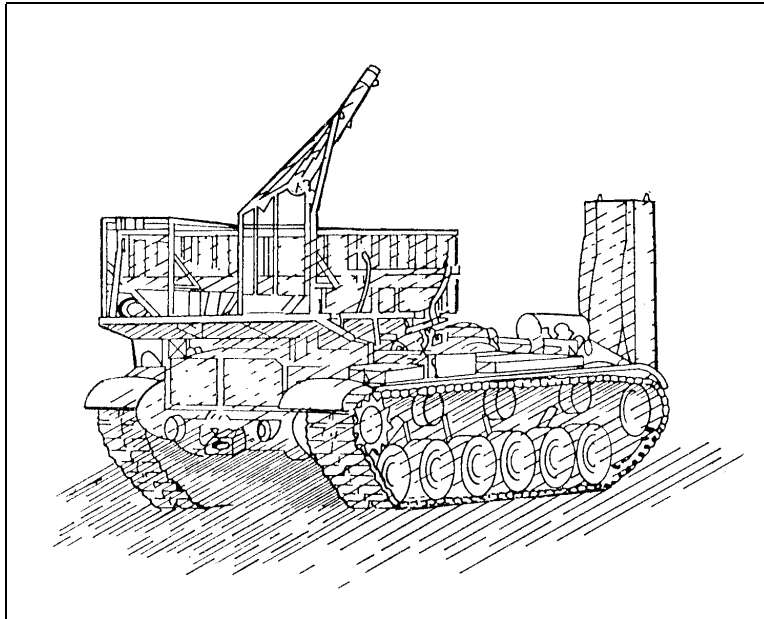


Figure C-5. AVLM

C-14. Towing vehicles for the trailer-mounted MICLIC are an M113 armored personnel carrier (APC), an M9 ACE, a 5-ton wheeled vehicle, and a 2½-ton wheeled vehicle. The trailer limits the MICLIC's mobility in rough terrain and degrades the maneuverability of the towing vehicle, thereby increasing vulnerability. Since the MICLIC is critical to the breaching operation, it is moved to the point of breach along easily trafficable, covered, and concealed routes. This effectively prevents the towing vehicle from performing any other task (firing or maneuvering) or serving as an engineer squad vehicle unless MICLIC employment is the squad's only mission. This is an important consideration when selecting the towing vehicle because it must be solely dedicated to the mission.

C-15. The MICLIC can be fired from within an armored vehicle without exposing soldiers to fires, although the prefiring preparations must be done at a covered and concealed location near the point of breach. The initiating cable is brought into the vehicle through the hatch, which must be left ajar, or through the portal of the periscope, which has been removed. Therefore, the crew is not afforded NBC protection. When the MICLIC is fired from a wheeled vehicle, the crew must move to a covered position outside the backblast area. The special-purpose cable on the firing control switch is long enough to allow adequate standoff.

C-16. The vehicle operator must be proficient in all aspects of preparing and deploying the MICLIC, including the critical aspect of selecting the optimum point of breach. Although the engineer platoon leader or the breach force commander directs the operator to the point of breach, ensuring that the operator can independently accomplish the task will simplify the operation and greatly enhance its likelihood of success. The towing vehicle and the operator must be selected well in advance and be dedicated solely to the task. The operator must be included in all rehearsals and planning sessions and, if possible, during leader recons. The MICLIC crew and the breaching force must ensure that misfire/malfunction drills are addressed during the unit rehearsal.

C-17. Each MICLIC trailer transports and fires one charge, and then it must be reloaded. The AVLM can fire both MICLICs before reloading. The loaded-charge container weighs 1,283 kilograms, so a lifting device such as a 5-ton wrecker or a heavy expanded mobility tactical truck (HEMTT) is needed. Reloading, which can be done by an experienced crew in about 20 minutes, entails loading a rocket on the rail and lifting a new charge container onto the launcher. The reloading operation must be done in a covered and concealed location.

C-18. The exact limits and depth of an enemy minefield are seldom known before a breach. This is particularly true when the situation is unclear and the minefield is encountered simultaneously with enemy contact. The first and only indication that a unit is in a minefield may be when a vehicle encounters a mine. The minefield's leading edge may still be an uncertainty because the vehicle could have hit a mine in an interior row. The number of MICLICs needed to clear a single lane through a minefield—

- Less than 100 meters deep is one (see *Figure C-6*, page C-16). The minefield's leading edge is identified and, if possible, confirmed by recon. The MICLIC is deployed from a minimum standoff distance of 62 meters from the minefield's leading edge.
- More than 100 meters deep or of uncertain depth is two or more (see *Figure C-7*, page C-16). If the leading edge cannot be identified, the MICLIC is deployed 100 meters from the possible edge or stricken vehicle. When the first MICLIC is detonated, a second MICLIC moves 25 meters into the first MICLIC's path and fires its charge. This extends the lane an additional 87 meters. Additional MICLICs are used for minefields of extreme depth, and each one moves down the lane 25 meters into the path created by the previous charge.

C-19. The neutralization of mines by blast depends on the peak pressure and the impulse. For the MICLIC, the impulse is at a maximum of 3 meters from the line charge (on both sides) and decreases the closer it gets toward the line charge to a minimum of 1 meter from the line charge. This decrease on impulse causes a *skip zone* (see *Figure C-8*, page C-17). This does not mean that neutralization is equal to zero percent; it means that it is not equal to 100 percent. Mines that are buried deeper than 10 centimeters and located 1 to 2 meters from the line charge have a high probability of not being neutralized.

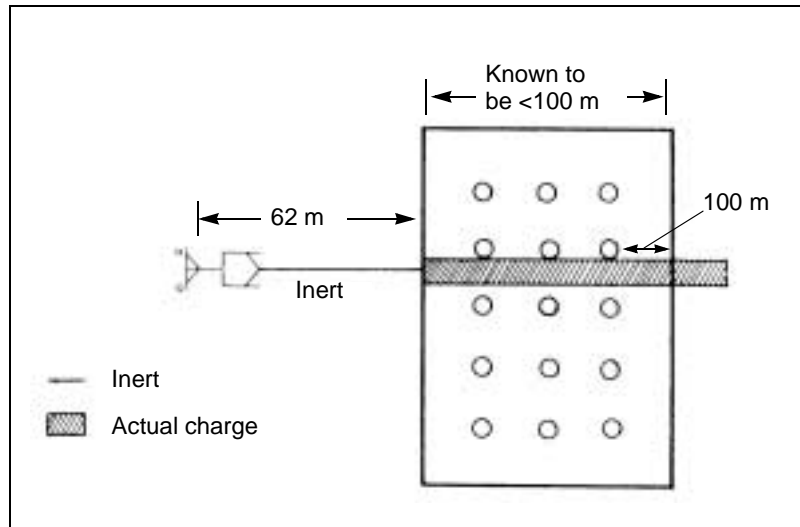


Figure C-6. MICLIC Employment in a Minefield Less Than 100 Meters Deep

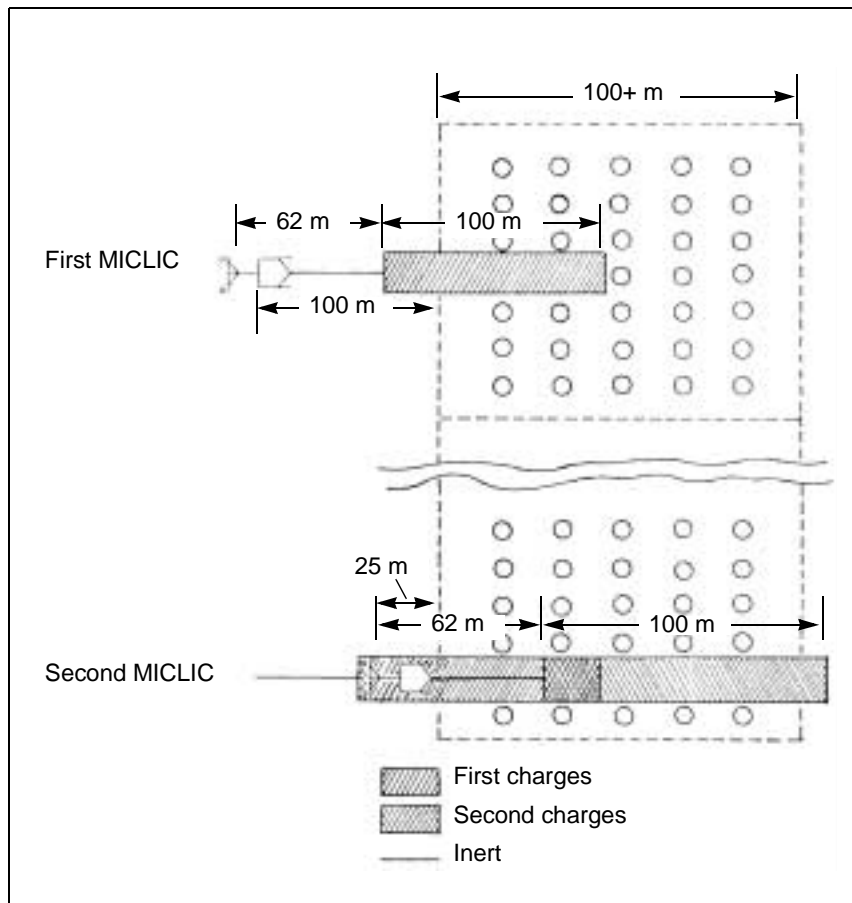


Figure C-7. MICLIC Employment in a Minefield of Uncertain Depth or Greater Than 100 Meters

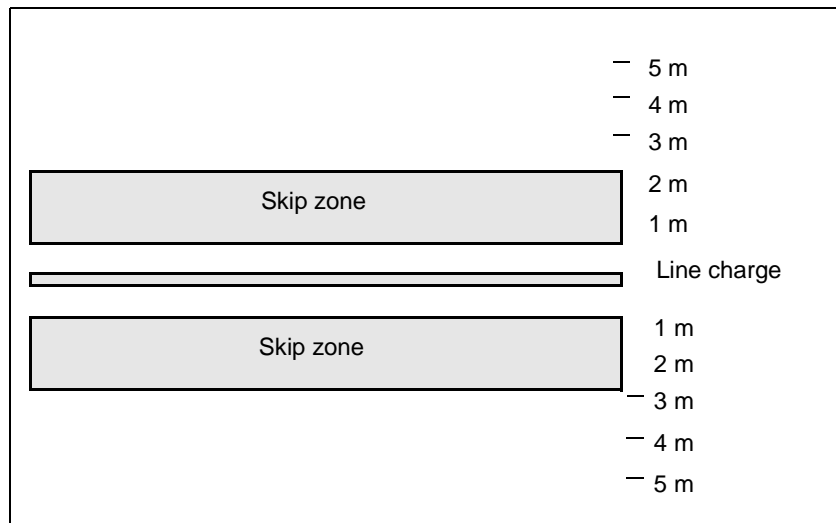


Figure C-8. MICLIC Skip Zone

Antipersonnel Obstacle Breaching System

C-20. The Antipersonnel Obstacle Breaching System (APOBS) (*Figure C-9*) is a man-portable device that is capable of quickly creating a footpath through AP mines and wire entanglements. The APOBS is normally used by combat engineers, infantry soldiers, or dismounted armored cavalry personnel. It provides a lightweight, self-contained, two-man, portable line charge that is rocket-propelled over AP obstacles from a standoff position away from the obstacle's edge.

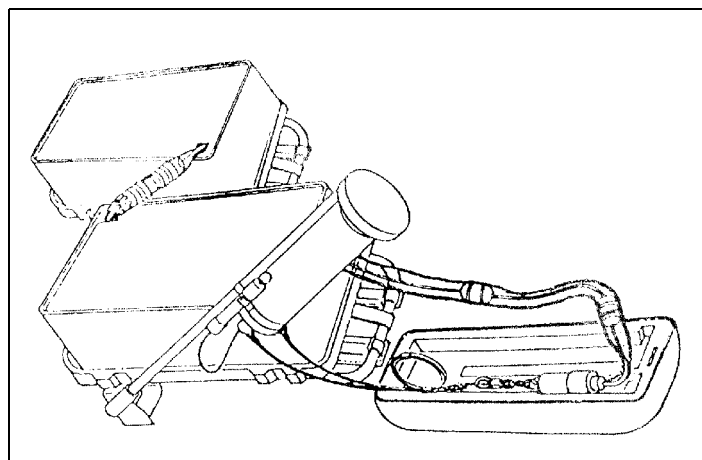


Figure C-9. APOBS

C-21. For dismounted operations, the APOBS is carried in 25-kilogram backpacks by no more than two soldiers for a maximum of 2 kilometers. One backpack assembly consists of a rocket-motor launch mechanism containing a 25-meter line-charge segment and 60 attached grenades. The other backpack assembly contains a 20-meter line-charge segment and 48 attached grenades.

The total weight of the APOBS is about 54 kilograms. It is capable of breaching a footpath about 0.6 by 45 meters and is fired from a 25-meter standoff.

M1A1/M1A2 Bangalore Torpedo

C-22. The bangalore torpedo (*Figure C-10*) is a manually emplaced, explosive-filled pipe that was designed as a wire breaching device, but it is also effective against simple pressure-activated AP mines. It is issued as a demolition kit and consists of ten 1.5-meter tubes. Each tube contains 4 kilograms of HEs and weighs 6 kilograms. The kit clears a 1- by 15-meter lane.

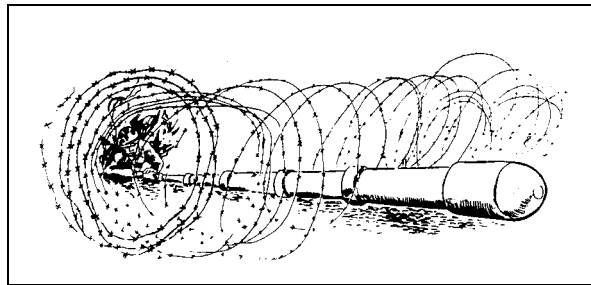


Figure C-10. Bangalore Torpedo

C-23. The bangalore torpedo is used by dismounted infantry and engineer soldiers. An individual soldier or a pair of soldiers connects the number of sections needed and pushes the torpedo through the AP minefield before priming it. A detailed recon is conducted before using the bangalore torpedo to ensure that trip wires have not been used. The bangalore torpedo generates one short impulse and is not effective against pronged, double-impulse, or pressure-resistant AP and AT mines.

WARNING

Do not modify the bangalore torpedo. Cutting the bangalore in half or performing any other modification could cause the device to explode.

MECHANICAL

C-24. MCBs and MCRs are fielded as armor battalion countermine sets that contain 12 MCBs and 4 MCRs. Blades create lanes through minefields, while rollers are used to detect minefields and proof lanes created by other means. Rollers are not a good primary system for lane reduction because multiple mine detonations may destroy the roller system and the vehicle pushing it. (The roller is designed to resist four conventional-mine [22.5 pounds HE] or three SCATMINE strikes, depending on the mine type.)

C-25. The ACE and dozer blades were not designed for reducing minefields and should only be used as a last resort. Using them is extremely time-consuming and hazardous to the crew and equipment. However, ACEs can effectively clear a lane through AP scatterable minefields because they sustain little or no damage and offer protection to the crew. When using a dozer to clear a path through a minefield, the operator is exposed to mine

effects. Before clearing begins, sandbag or *up-armor* the operator's cabin and clear the lane of trip wires. When using an engineer blade to clear a path through a scatterable minefield, use the skim technique (*Figure C-11*). Start skimming 100 meters from the suspected leading edge of the minefield.

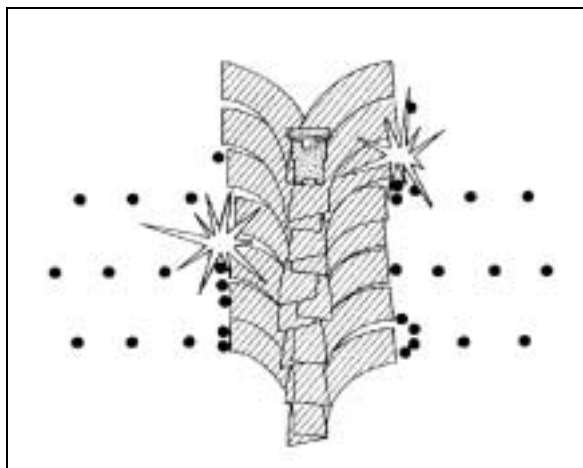


Figure C-11. Skim Technique

C-26. The ACE and dozer blades are very effective against AT ditches and gaps. Normally, during a breaching operation, dozers will not be available due to their inability to keep pace with the attacking forces. Although a single dozer or an ACE is capable of reducing an AT ditch, a technique that has been successfully used and has decreased the time to reduce an AT ditch/gap is to use two ACEs or an ACE/dozer team. When using this technique, position one ACE parallel to the AT ditch and push dirt in front of the second ACE or dozer that is oriented perpendicular to the AT ditch. Use an ACE to push dirt into the AT ditch.

Mine-Clearing Blade

C-27. The MCB (*Figure C-12*, page C-20) is used to remove land mines and create a lane in a minefield. It consists of a blade arrangement with scarifying teeth to extract mines, a moldboard to cast mines aside, and leveling skids to control the blade's depth.

C-28. The MCB lifts and pushes mines, which are surface-laid or buried up to 31 centimeters deep, to the side of track-width lanes. The blade has three depth settings—21, 25, and 31 centimeters. The blade creates a 1.5-meter cleared path in front of each track. *Figure C-13*, page C-20, shows the inside clearance distances between the tracks of common tracked vehicles in relation to the uncleared area left by the MCB.

C-29. Mines armed with AHDs, magnetic fuses, or seismic fuses may be activated when they are lifted by the blade; and they may disable the blade. Mines lifted by the blade are left in the spoil on each side of the furrowed path and remain a hazard until they are removed. Double-impulse mines that are lifted into the spoil on the side can function into the hull of the plowing vehicle.

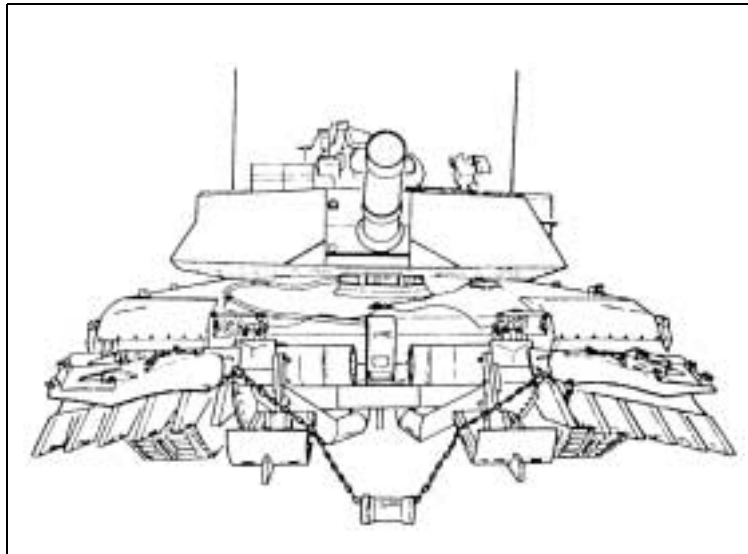


Figure C-12. MCB

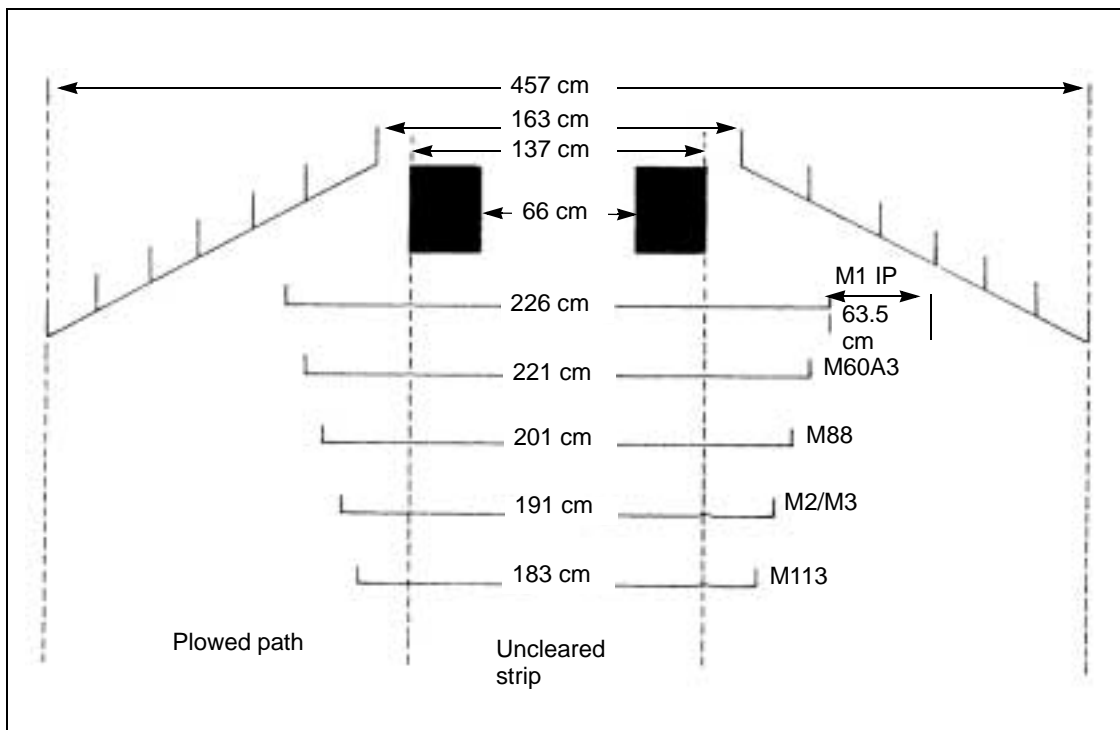


Figure C-13. MCB Width Compared to Tracked-Vehicle Widths

C-30. The skid shoe for each blade exerts adequate pressure to activate most single-impulse mines, which effectively clears a section of the centerline by explosive detonation. This action may disable the blade. Multiple-impulse pressure fuses encountered by the skid shoe are not defeated. A dog-bone assembly between the blades defeats tilt-rod mines. The improved dog-bone assembly (IDA) projects a magnetic signature and defeats tilt-rod and magnetic mines.

C-31. The MCB weighs about 3,150 kilograms and can be mounted on an M1 tank without special preparation or modification. Mounting requires lift capability and takes up to an hour, so it must be mounted well in advance of the mission. It is not easy to mount or transfer the MCB to another tank under battle-space conditions.

C-32. Once mounted, an electric motor raises and lowers the blade. When the blade is raised, it minimally effects the M1's maneuverability and speed. This will not greatly impact the use of the weapon system except when the blade is in operation. The MCB is also equipped with an emergency, quick-disconnect feature.

C-33. The M1 tank crew should maintain a speed of 8 to 10 kph while plowing, depending on soil conditions. The tank cannot maneuver but must continue in a straight path through the minefield to avoid damaging the blade. The main gun must be traversed to the side during plowing because mine detonation under the blade may cause the gun to be thrown violently into the air, damaging the tube. The area selected for the lane must be relatively flat and free of rocks or other obstacles.

C-34. The operator begins plowing about 100 meters from the estimated leading edge of the minefield. He creates a lane extending another 100 meters beyond the estimated far edge of the minefield to ensure that the lane extends through the entire minefield. Multiple vehicles using the lane will deepen the cut made by the MCB, and pressure-fused mines left in the uncleared strip will be dangerous. The uncleared strip should be cleared as soon as possible.

Mine-Clearing Roller

C-35. The MCR (*Figure C-14*, page C-22) consists of a roller assembly, a mounting kit, and a hand winch. The roller assembly weighs about 9,072 kilograms and consists of two push beams mounted to the front of the tank. The rollers are designed to defeat most single-pulse, pressure-activated AT and AP mines. The roller creates a 1.1-meter-wide cleared path in front of each track.

C-36. *Figure C-15*, page C-22, shows the inside clearance distances between the tracks of common tracked vehicles in relation to the uncleared area left by the MCR. An IDA and a chain between the rollers defeats tilt-rod mines. The IDA can be fitted to the roller. The roller is designed to withstand multiple mine explosions before damage; however, this depends on the size of the mines. Large blasts may destroy the roller or the vehicle or injure the crew.

C-37. The roller can be mounted on an M1 or M60 tank that is modified with a permanently attached mine-roller mounting kit. Mounting the roller to a tank is a cumbersome, time-consuming operation because it is very difficult

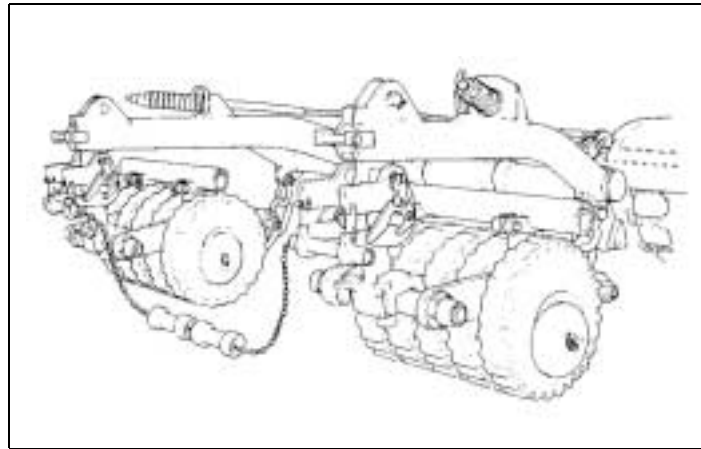


Figure C-14. MCR

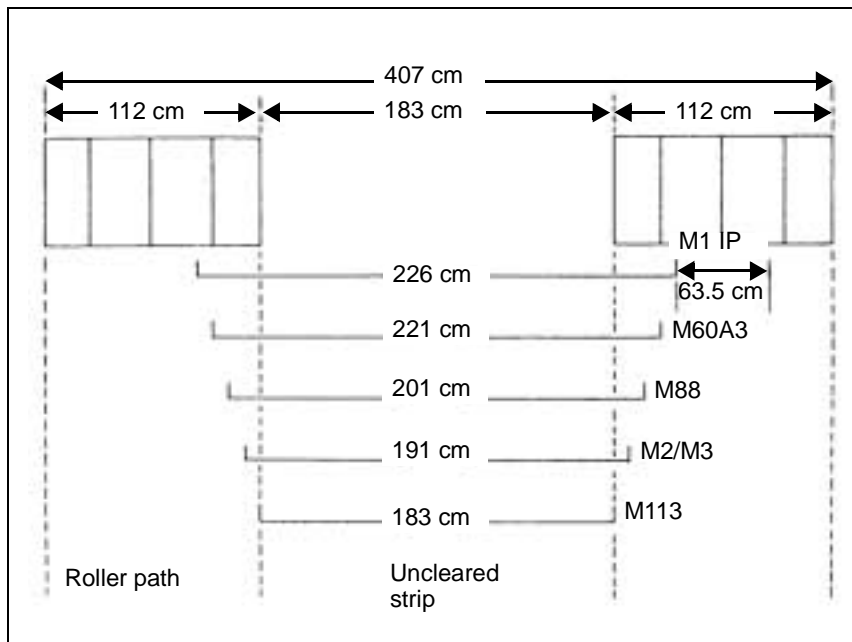


Figure C-15. MCR Width Compared to Tracked-Vehicle Width

under battle-space conditions and requires lift capability. The roller tank is limited to a speed of 5 to 15 kph. When used in a suspected minefield, the MCR must travel in a relatively straight path. Tight turns may cause the roller to deviate from the path of the track and leave the tank vulnerable to mines. Ground fluctuations, bumps, and berms may cause the roller to lift from the ground and miss mines.

C-38. Due to the roller tank's weight and width, units must use caution when crossing an AVLB. In this situation, the curbing from the bridge is removed. To prevent damage to the bridge's hydraulic line, the tank driver uses a strap to lift the IDA and the chain when crossing the bridge. The main gun must be traversed to the side when a mine encounter is possible or imminent. A mine

blast can throw the roller or parts of the roller violently into the air and damage the tube. The main gun should only be fired from a temporary halt.

C-39. When the situation and the mission permit, MCRs are used with lead/security elements of the breach force to detect the minefield's leading edge. Rollers are also used to proof lanes in obstacles that are reduced by other means, such as a MICLIC or an MCB. The roller may also be used to lead a supported element traveling in a tactical formation other than a column, but it is less effective than other methods because—

- A vehicle that is not directly behind the roller may encounter mines.
- The roller may travel well into or completely through a widely spaced minefield without encountering a mine, thus giving the formation a false sense of security.
- A mine encountered by the roller may not be on the minefield's leading edge.
- The roller vehicle is extremely vulnerable since it can only use its weapon system from a temporary halt.

C-40. If rollers are to participate in a breaching operation, they must be mounted before rehearsals. Unmounted rollers that are not being used for the mission are carried in the TF formation on M916 tractor trailers. Rollers require lift capability (such as an M88), a secure location, and 30 to 60 minutes to mount on a tank that is fitted with a mounting kit.

Panther

C-41. The M60 Panther (*Figure C-16*) is one of several developmental countermine systems that US forces used during operations Joint Endeavor and Joint TF Eagle. The Panther is a remotely controlled vehicle with mine rollers, and it is used to proof lanes and assembly areas. The system consists of a turretless M60 tank, Israeli mine rollers, an antimagnetic actuating device, and a remote control unit (RCU) that is mounted in a separate vehicle. Additionally, a remote video camera allows the operator to see the road ahead.

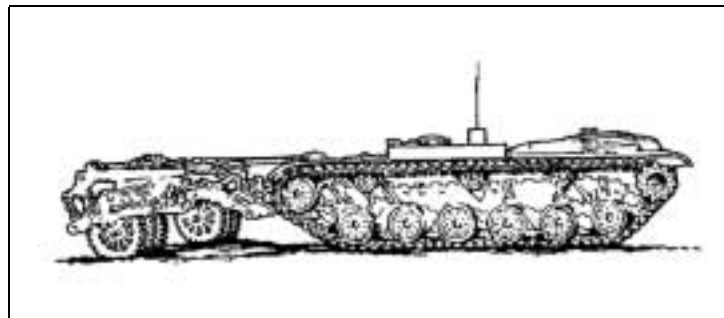


Figure C-16. Panther

C-42. During route-clearance or proofing operations, a Panther is the lead vehicle. It is followed closely by an armored control vehicle, usually an M113. The control vehicle contains the Panther operator, the RCU, and the monitor. The monitor displays the route being proofed or cleared through a camera

mounted on the Panther. The Panther is controlled from the commander's cupola or troop hatch of the control vehicle. The control vehicle should be about 200 to 300 meters behind the Panther, and its hatches should be secured open. Crew members in the control vehicle should be wearing Improved Body Armor System, Individual Countermine (IBASIC) protective garments.

C-43. Mine rollers can be raised for limited travel while mounted on the Panther. If the distance is excessive, the rollers must be transported on a cargo carrier. Rollers must be adjusted before every mission to ensure that they have contact with the ground and that their weight is uniformly distributed. Conduct at least three passes to ensure proper coverage and overlap of rollers. Passes should have a minimum of 30 centimeters overlap. Inside roller distances are the same as an MCR.

M1 Grizzly

C-44. The Grizzly (*Figure C-17*) provides the capability for breaching obstacles comprised of mines, wire, posts, rubble, and tank ditches to create a lane for other vehicles to follow. The Grizzly's primary features are a full-width, 4.2-meter MCB and a power arm. The power arm has a reach of 9 meters and a bucket capacity of 1.2 cubic meters. Its primary missions are to reduce berms and fill AT ditches.

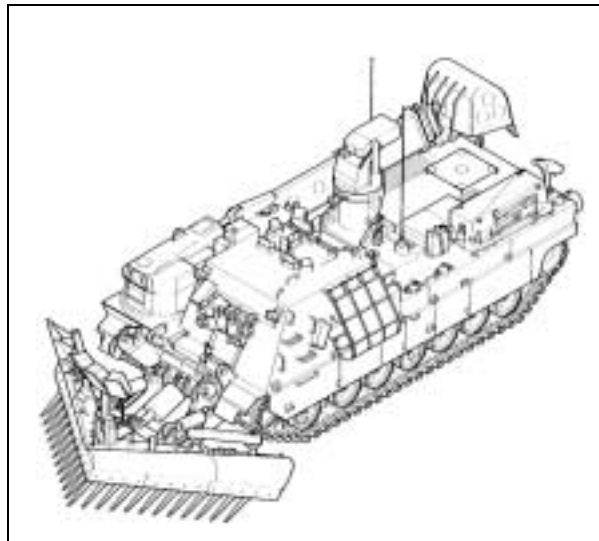


Figure C-17. Grizzly

C-45. The Grizzly lifts and pushes mines, which are surface-laid or buried up to 31 centimeters deep, to the side of full-width lanes. The blade has multiple depth settings, depending on the mission, and it creates a 4.2-meter-wide cleared path. When plowing, the Grizzly is restricted to less than 10 kph, depending on soil conditions. The operator begins plowing about 100 meters from the estimated leading edge of the minefield. He creates a lane extending another 100 meters beyond the estimated far edge of the minefield to ensure that the lane extends through the entire minefield.

C-46. The Grizzly has integrated digital features to enhance battlefield awareness. Some of the digital features are thermal and video cameras, ground-speed sensors, terrain-mapping sensors, and an integrated commander's control station.

Mine-Clearing/Armor-Protection Kit

C-47. The mine-clearing/armor-protection (MCAP) kit consists of two parts—the mine-clearing rake and the armor protection.

- **Mine-clearing rake.** The rake uses a tine that is mounted on a diagonal beam. The rake assembly is designed to sift through the soil, lift out mines, and windrow buried and surface-laid mines to the right of the vehicle. The system clears a 30-centimeter-deep path through a minefield. The rake has a skid shoe that acts as a depth control guide for the operator.
- **Armor protection.** The armor protects the crew against mine blast, small-arms fire, and artillery fire. Protection is also provided for the engine, the fuel tank, and exposed hydraulic cylinders and lines. Ballistic glass blocks are provided at each vision port to permit unrestricted view and operation of the vehicle and the equipment.

The MCAP is mounted on a D7 dozer to perform minefield reduction and lane widening. Proofing the lane must be conducted after the dozer has cleared the lane because some AP mines may still be left in the lane.

Armored Vehicle-Launched Bridge

C-48. The AVLB (*Figure C-18*) is carried on a launcher (a modified M48A5 or M60A1 chassis) and weighs 15 tons. A buttoned-up, two-man crew can launch the AVLB in 2 to 5 minutes. The AVLB can be retrieved from either end; however, one man is exposed to fire while guiding and connecting it. The AVLB is capable of carrying military load class (MLC) 60 (70 with improved bridge) tracked loads across a 17.4-meter gap with unprepared abutments or an 18.3-meter gap with prepared abutments.

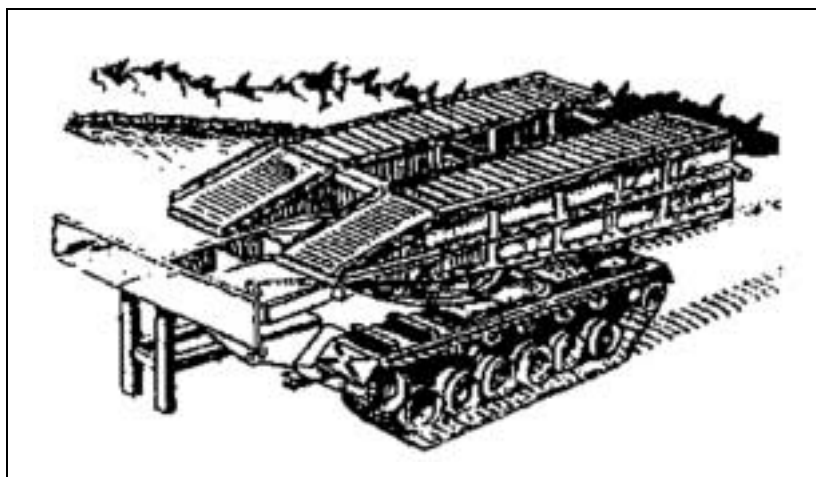


Figure C-18. AVLB

C-49. The AVLB has the following limitations:

- The scissor launch requires 10 meters of overhead clearance.
- The maximum launch slope is—
 - 28 percent uphill.
 - 19 percent downhill.
 - 11 percent on a side slope.

Wolverine

C-50. The AVLB will eventually be replaced by the Wolverine (*Figure C-19*). The bridge is carried on a launcher (a modified M1 tank chassis) and weighs 12.5 tons. It can be launched in less than 5 minutes by a buttoned-up, two-man crew and can be retrieved from either end of the bridge in less than 10 minutes. The Wolverine can cross an MLC 70 tracked vehicle over 24-meter gaps. The launcher has a maximum speed of 83 kph.

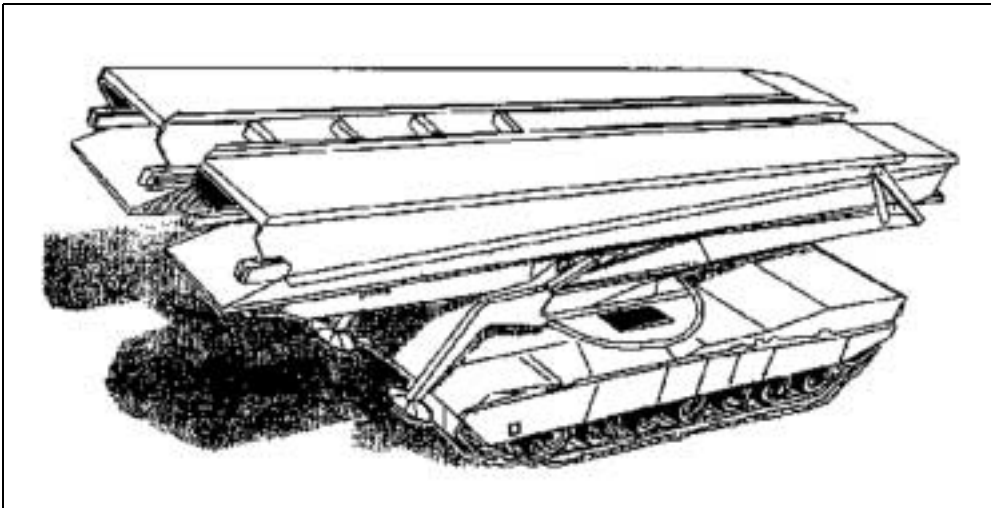


Figure C-19. Wolverine

M9 Armored Combat Earthmover

C-51. The M9 ACE (*Figure C-20*) is capable of performing mobility tasks in support of light and heavy forces. These tasks include gaps and AT ditches. Although an ACE can be used to reduce a scatterable minefield, it should only be used as a last resort.

ELECTRONIC

C-52. The Field-Expedient Countermine System (FECS) is a series of copper coils that fit over the front of tracked and wheeled vehicles. Power is supplied by the vehicle's battery. The coils emit a large magnetic signature that detonates magnetically fused mines located 2 to 5 meters in front of the vehicle. The FECS is designed to defeat magnetically influenced mines only and must be used with other countermine systems.



Figure C-20. M9 ACE

MANUAL

C-53. While mechanical and explosive reduction procedures are normally preferred, a unit may have to use manual procedures for the following reasons:

- Explosive and mechanical mobility assets are unavailable (not on hand or nonmission capable).
- Explosive and mechanical mobility assets are ineffective against the type of obstacle or because of terrain limitations (see *Table C-1*, page C-5).
- Stealth is required.

C-54. Manual procedures involve dismounted soldiers (usually engineers) using simple explosives or equipment to create a lane through an obstacle or to clear an obstacle. These procedures expose the soldier and may be manpower- and time-intensive. However, this method works in most situations and under most conditions. Certain types of terrain, weather, and sophisticated fuses can severely degrade the effectiveness of rollers, plows, and line charges.

Techniques

C-55. As discussed, manual procedures are effective against all obstacles under all conditions. Most types of obstacles do not cause casualties directly, but minefields have the potential to cause direct casualties. The enemy possesses a significant mechanical, mine-burying capability. It has the capacity and the propensity for the labor-intensive effort required to bury mines by hand; however, the enemy often lays mines on the surface. Buried mines are usually found in a highly prepared defense. When training for the reduction of surface-laid and buried minefields, always assume the presence of AHDs and trip wires until proven otherwise. Manual reduction of surface-laid and buried minefields is discussed below:

- **Surface-laid minefield.** Engineers first use grapnel hooks from covered positions to check for trip wires in the lane. The limited range

of the tossed hook requires the procedure to be repeated through the estimated depth of the obstacle. A demolition team then moves through the lane. The team places a line main down the center of the lane, ties the line from the explosive into the line main, and places blocks of explosive next to surface-laid mines. After the mines are detonated, the team makes a visual check to ensure that all mines were cleared before directing a proofing roller and other traffic through the lane. Members of the demolition team are assigned special tasks, such as grapppler, detonating-cord man, and demolitions man. All members should be cross-trained on all procedures. Demolitions are prepared for use before arriving at the point of breach. An engineer platoon uses squads in series through the minefield to clear a lane for a company team. The platoon must rehearse reduction procedures until execution is flawless, quick, and technically safe. During reduction, the engineer platoon will be exposed in the lane for 5 minutes or more depending on the mission, the minefield depth, and the platoon's level of training.

- **Buried minefield.** Manually reducing a buried minefield is extremely difficult to perform as part of a breaching operation. If mine burrows are not easily seen, mine detectors and probes must be used to locate mines. Mines are then destroyed by hand-emplaced charges. As an alternative, mines can be removed by using a grapppling hook and, if necessary, a tripod (*Figure C-21*). Using a tripod provides vertical lift on a mine, making it easier to pull the mine out of the hole.

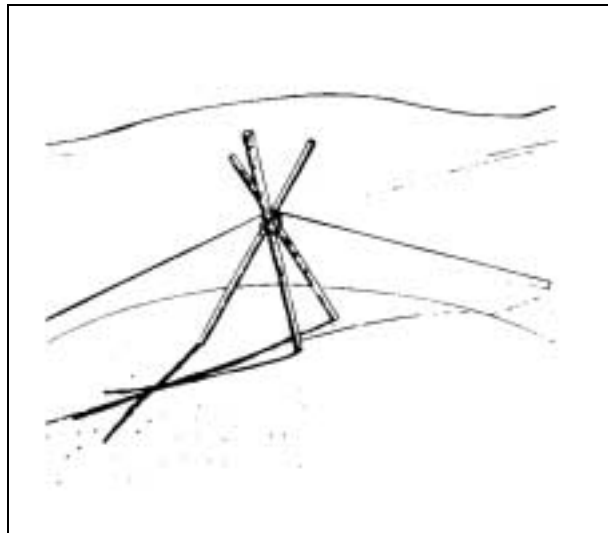


Figure C-21. Tripod

C-56. The platoon leader organizes soldiers into teams with distinct, rehearsed missions including grapppling, detecting, marking, probing, and emplacing demolitions and detonating cord. The platoon is exposed in the obstacle for long periods of time.

Grappling Hook

C-57. The grappling hook (grapnel) is a multipurpose tool that is used for manual obstacle reduction. Soldiers use it to detonate mines from a standoff position by activating trip wires and AHDs. After the grapnel is used to clear trip wires in a lane, dismounted engineers can move through the minefield, visually locate surface-laid mines, and prepare mines for demolition. In buried minefields, soldiers grapple, and then enter the minefield with mine detectors and probes. There are two types of grapnel hooks—hand-thrown and weapon-launched.

- **Hand-thrown.** A 60+-meter light rope is attached to the grapnel for hand throwing. The throwing range is usually no more than 25 meters. The excess rope is used for the standoff distance when the thrower begins grappling. The thrower tosses the grapnel and seeks cover before the grapnel and rope touch the ground in case their impact detonates a mine. He then moves backward, reaches the end of the excess rope, takes cover, and begins grappling. Once the grapnel is recovered, the thrower moves forward to the original position, tosses the grapnel, and repeats the procedure at least twice. He then moves to the end of the grappled area and repeats this sequence through the depth of the minefield.
- **Weapon-launched.** A 150-meter lightweight rope is attached to a lightweight grapnel that is designed to be fired from an M16A1 or M16A2 rifle using an M855 cartridge. The grapnel is pushed onto the rifle muzzle with the opening of the retrieval-rope bag oriented toward the minefield. The firer is located 25 meters from the minefield's leading edge and aims the rifle muzzle at a 30- to 40-degree angle for maximum range. Once fired, the grapnel travels 75 to 100 meters from the firer's position. After the weapon-launched grapnel hook (WLGH) has been fired, the firer secures the rope, moves 60 meters from the minefield, moves into a prone position, and begins to grapple. The WLGH can be used only once to clear a minefield, but it can be reused up to 20 times for training because blanks are used to fire it.

C-58. Multiple grapplers can clear a lane of trip wires quickly and thoroughly, but they must time their efforts and follow procedures simultaneously. A hit on a trip wire or a pressure fuse can destroy the hook and the cord, so engineers should carry extras.

Appendix D

Breaching Scenario and Special Planning Considerations

This appendix provides a scenario showing how the breaching tenets may be applied when conducting a breaching operation in open terrain, such as a desert. This example is not an attempt to give a single, doctrinally correct solution but simply to provide a method that a unit may use to task-organize and approach this very difficult mission. Also discussed in this appendix are considerations that may be needed when conducting a breaching operation in restricted terrain (a defile, urban terrain, or the jungle). The following paragraphs are an example of a worst-case scenario in which a TF is given the mission to conduct a breaching operation against a well-equipped, well-prepared enemy defense.

SAMPLE BREACHING OPERATION

D-1. TF 1-12 is a mechanized infantry battalion that is task-organized with two tank companies from TF 3-71 (armored battalion). It just received a mission to secure OBJ SPARROW as part of a brigade attack to destroy a motorized infantry battalion (MIBN) (see *Figure D-1*, page D-2).

D-2. TF 1-12 received intelligence products, including the brigade SITEMP and a series of WOs, before issuing the actual OPORD. The TF staff, in particular the S2 and the engineer, revised and refined the brigade SITEMP based on their analyses of the terrain and the enemy (see *Figure D-2*, page D-3).

D-3. Upon receipt of the brigade OPORD, TF 1-12 learns that—

- The brigade has task-organized it with an engineer recon team to augment its recon capability and its habitually associated engineer company. An additional engineer line platoon has been attached to the engineer company, giving the TF a total of three engineer line platoons.
- The brigade has given TF 1-11 the mission to fix enemy forces north of OBJ SPARROW to prevent them from repositioning.
- The brigade plans to disrupt the enemy's counterattack force by using area-denial artillery munition (ADAM)/remote antiarmor mine (RAAM) SCATMINES along the high-speed route to OBJ SPARROW. The counterattack force has been located by intelligence sources.
- The brigade plans to have the engineer battalion (-) follow TF 1-12's assault force to assume control of the lanes. The engineer battalion will create additional lanes, if necessary, and upgrade/maintain the lanes and marking pattern to facilitate the passage of TF 3-71.

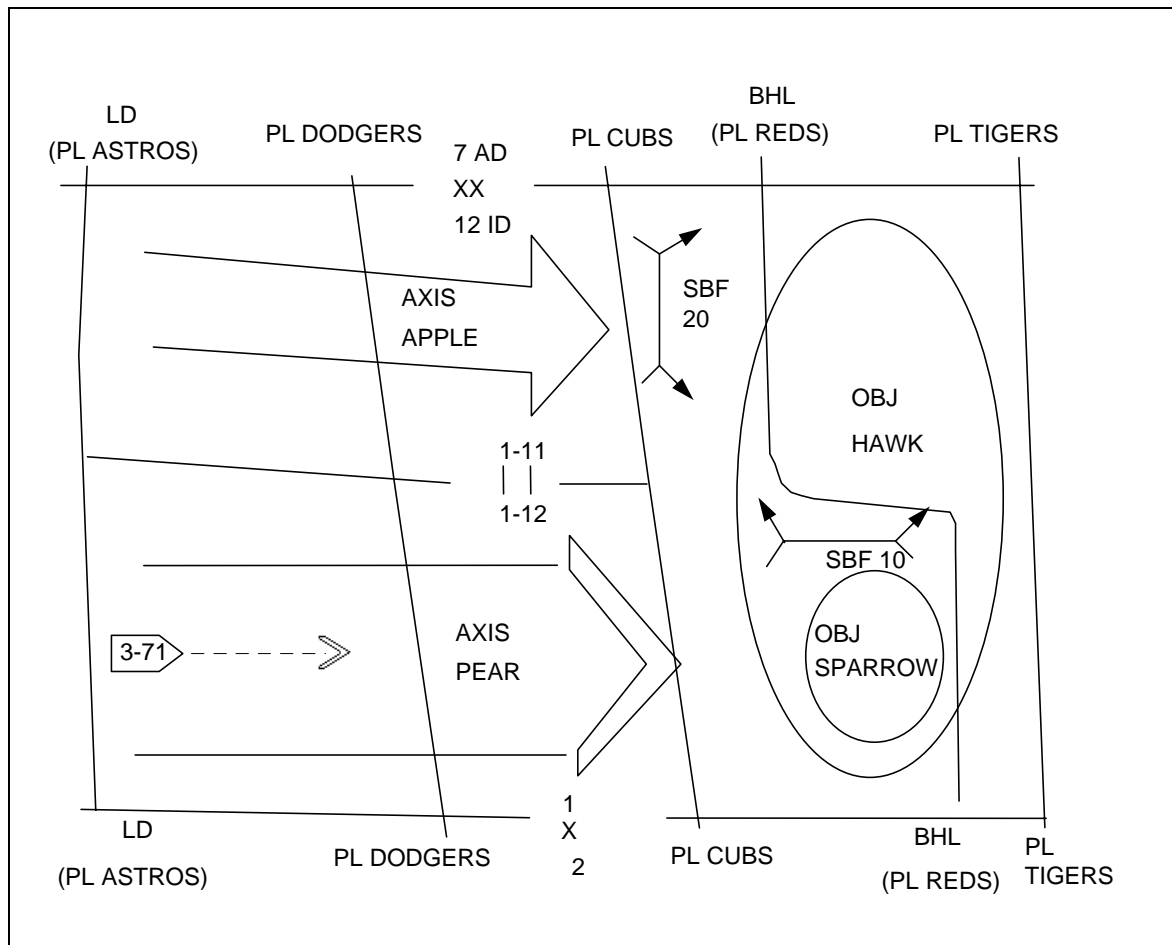


Figure D-1. Brigade Maneuver Graphics

- The brigade has tasked it to seize OBJ SPARROW and occupy SBF 10 with at least two platoons to fix enemy forces north of OBJ SPARROW.
- The brigade has tasked it to create two lanes in the obstacle system to support the passage of TF 3-71 through the created lanes.

D-4. Based on the commander's guidance, the TF staff developed three COAs. The third COA was chosen based on war gaming. It required a company team (assault force), consisting of one tank platoon (the platoon has two tank plows mounted) and two mechanized infantry platoons, to seize OBJ SPARROW. The staff decided that two lanes were necessary in the obstacle system, vicinity grid AA123456, based on the specified task given by the brigade. Because of the lane requirement and the obstacle type expected to be encountered, the staff decided that the breach force must consist of at least two tanks with MCBs, two tanks with MCRs, and two MICLICs. The breach force must also have two engineer platoons to create, proof, and mark the lanes and to provide redundancy of assets. The staff considered the threat to the breach force to be—

- The infantry platoon and AT weapons on the southern flank.

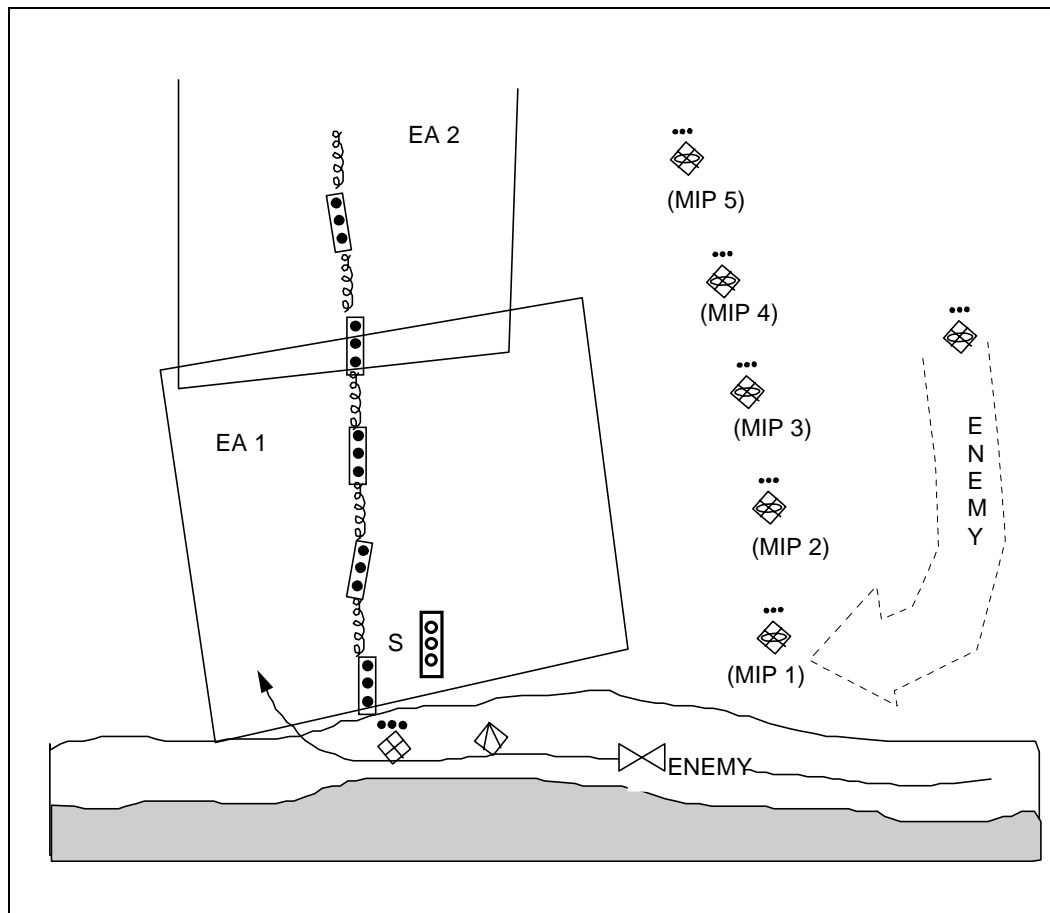


Figure D-2. TF SITEMP

- The southern motorized infantry platoon (MIP), which the support force may not be able to suppress because its forces are masking the breach force.
- The MIP-size counterattack force.

D-5. In this COA, the staff task-organized one tank platoon and one mechanized infantry platoon to the breach force (in addition to the MCBs and MCRs) to provide local security and redundant suppression. The staff determined from its terrain and enemy analyses that the support force's mission is to suppress the four southern MIPs to facilitate reduction operations. To accomplish this, the staff task-organizes two company teams to the support force. Each company team in the support force has one tank plow to reduce any obstacles it encounters en route to the SBFs (see *Figure D-3*, page D-4).

D-6. The staff further refines the COA by developing an initial plan to achieve the following breaching fundamentals, to include assigning tasks to the various subordinate forces (see *Figure D-4*, page D-5):

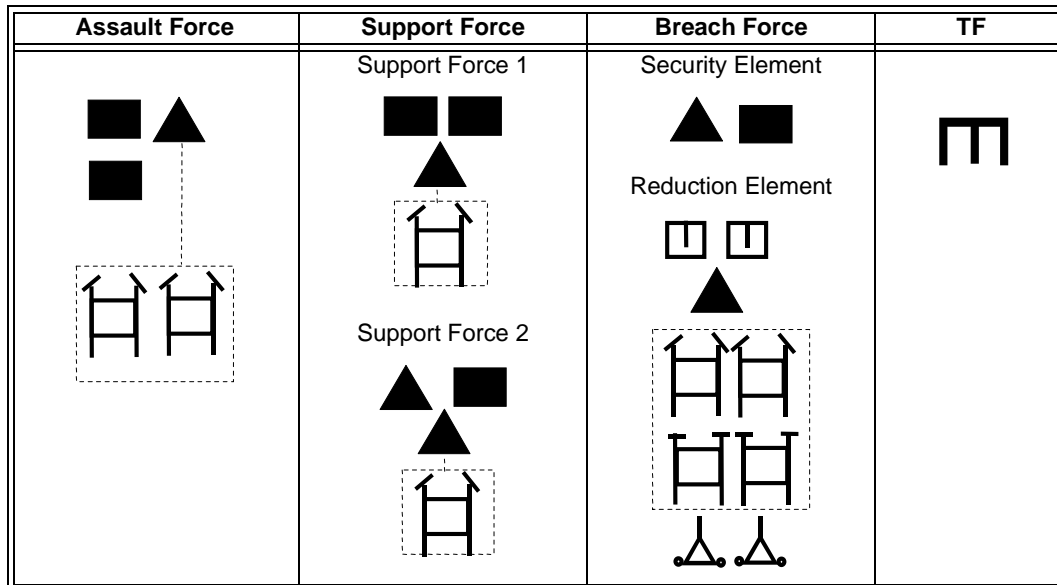


Figure D-3. Initial Breaching Organization

- **Suppress.**
 - Support force 1 will occupy SBF 1 and initially orient its fires on MIPs 1 and 2. When the breach force is committed, it will shift its fires to orient on MIPs 2 and 3. Fires will be lifted on the order of the assault-force commander.
 - Support force 2 will occupy SBF 2 and orient its fires on MIPs 3 and 4. Fires will be lifted on the order of the assault-force commander.
 - The breach-force security element will occupy SBF 3 and orient fires on MIP 1. The security element is responsible for local security at the point of breach.
 - The fire-support element (FSE) will ensure that CFZ 1 is activated as the breach force moves to the point of breach.
 - The support force will call for and adjust artillery targets AG7001 through AG7003 when the lead elements of the support force cross PL CUBS.
- **Obscure.**
 - The support force will call for and adjust smoke target AG1210 when the lead elements of the support force cross PL CUBS. The support force will adjust this target only if the smoke is ineffective.
 - The smoke platoon (task-organized to the TF for this mission) will employ its generators to the north of support force 2. Smoke operations begin when support force 2 crosses PL CUBS.
- **Secure.** The breach force (security element) will occupy SBF 4 and orient fires on the infantry platoon and AT weapons on the south wall.

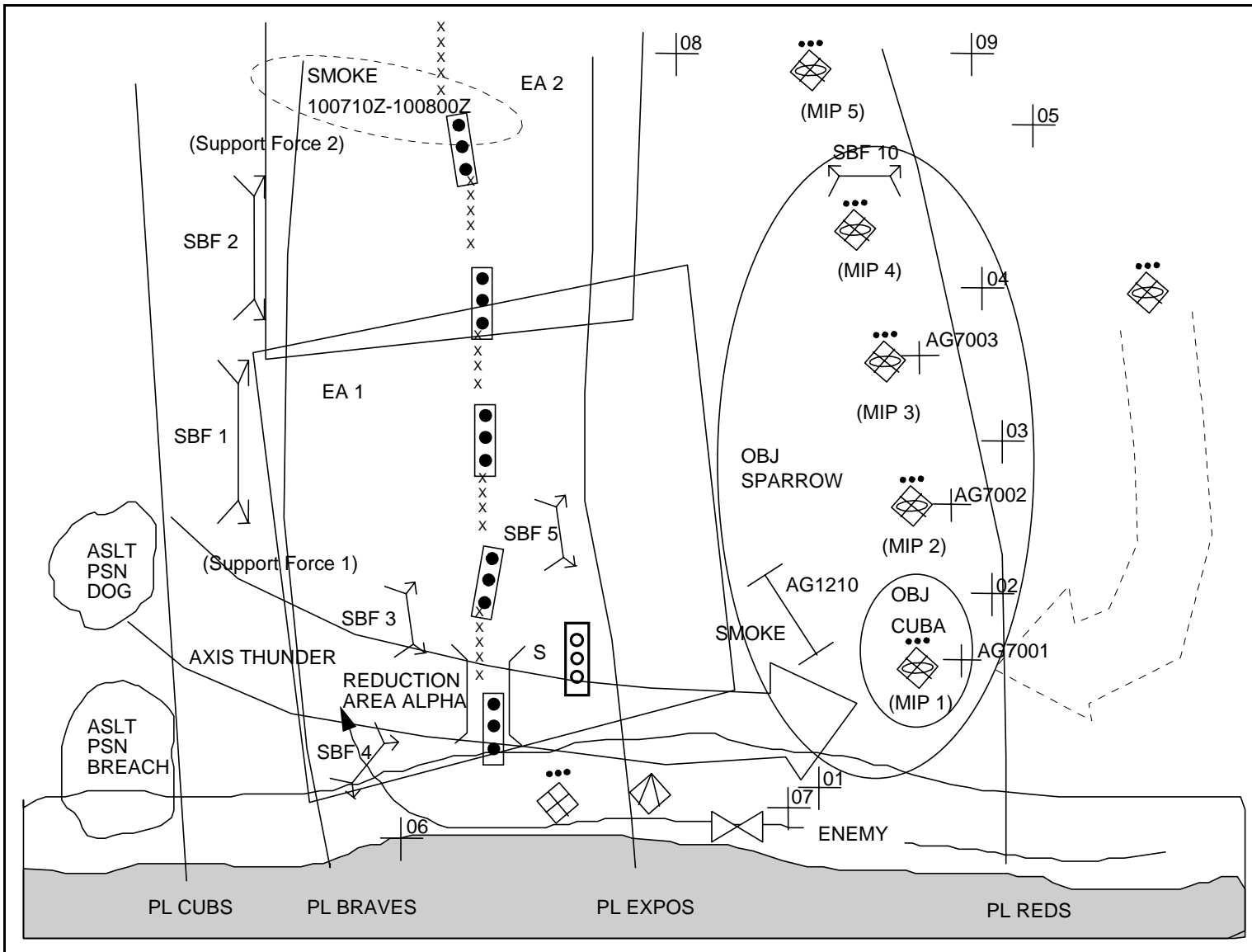


Figure D-4. Graphics Developed During COA Development (Overlaid on SITEMP)

- **Reduce.**
 - The breach-force reduction element will move from assault position (ASLT PSN) BREACH when the commitment criteria in reduction area ALPHA has been met. In this scenario, it will create, proof, and mark (initial lane-marking pattern) two lanes in the obstacle system, at least 800 meters apart, within reduction area ALPHA. This considers the enemy's use of artillery-delivered SCATMINES to close the lanes.
 - The breach-force security element will occupy SBF 5 with one platoon orienting fires on MIPs 2 and 3 to provide enemy suppression when one lane is created in the tactical obstacles.
- **Assault.**
 - The assault force will attack along axis THUNDER to initially seize OBJ CUBA (point of penetration) and then the rest of OBJ SPARROW.
 - The assault force will occupy SBF 10 with at least two platoons oriented on MIP 5.

D-7. During COA analysis, modifications are made to the original COA. This includes task-organizing an engineer platoon to the assault force to help reduce protective obstacles and mark lanes for the assault and follow-on forces (see *Figure D-5*).

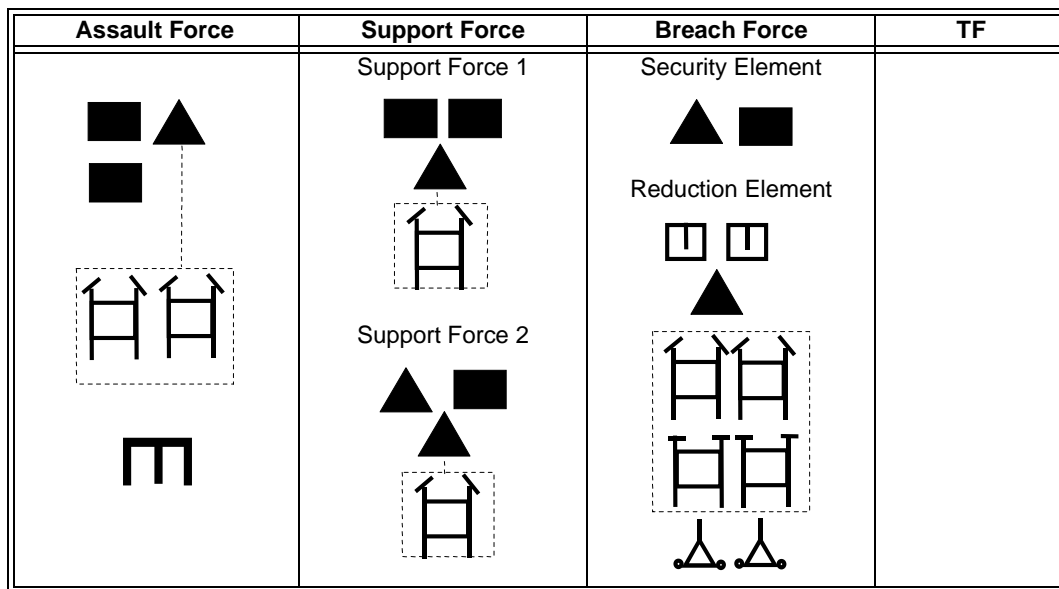


Figure D-5. Final Task Organization

D-8. Additionally, the staff develops a decision point for committing the breach force and a plan to collect the necessary information to support the decision point (see *Table D-1*). *Figure D-6* shows the location of each NAI.

Table D-1. Plan to Support the Decision Point

| Decision Criteria | NAI | Responsibility |
|---|---------|-------------------------|
| MIP in OBJ CUBA must be destroyed. | NAI 300 | TF scouts |
| Enemy south of TRP 5 must be suppressed. | NAI 301 | Support force commander |
| Point of breach must be effectively obscured. | NAI 302 | Support force commander |
| Support force must have a minimum of 16 M1s/M2s available. | | Support force commander |
| Breach force must have a minimum of one engineer platoon, 1 MICLIC/ MCB, and 6 M1s/M2s. | | Breach force commander |
| CFZ 1 must be activated. | | TOC (FSE) |

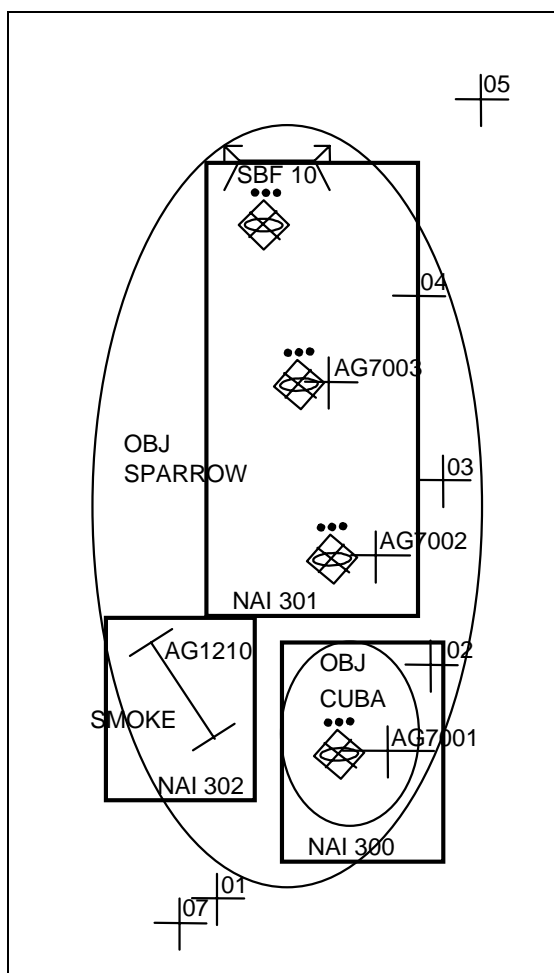


Figure D-6. NAIs to Support the Decision Point

D-9. The commander specifies the following C² structure of the mission based on the scheme of maneuver in the COA he approved:

- The assault force will be comprised of Team A/3-71 (mechanized heavy).
- The breach force will be comprised of Team B/3-71 (tank heavy) and A/55th Engineer Battalion. The Team B commander will be the breach-force and security-element commander. The engineer commander will be the reduction-element commander.
- The support force will be comprised of Team C/1-12 (mechanized heavy) and Team D/1-12 (tank heavy). The support-force commander will be the TF S3.

D-10. Preparation for the breaching operation involves numerous rehearsals, beginning at the lowest levels and culminating into a full-dress, combined-arms rehearsal. S2 reports that the TF received the confirmed location of the tactical obstacles in the vicinity of the point of breach. The report indicated that the minefields are comprised of three rows of buried SB-MV mines (Italian AT mines), with a uniform 4.5 meters spacing between mines and 70 meters between rows. One row of concertina wire is positioned 40 meters to the rear of each tactical minefield. Additionally, the enemy has emplaced protective minefields, which are comprised of AP mines only, 400 meters in front of each platoon position. The enemy has tanks and infantry fighting vehicles (IFVs) overwatching tactical and protective obstacles. Reports indicate that the enemy has not prepared dismounted positions.

NOTE: The assault-force commander decides to conduct a mounted assault based on information from the intelligence report and the terrain analysis he conducted. The terrain analysis indicates that tank plows will effectively reduce the enemy's protective obstacles.

D-11. This information is quickly relayed to subordinate units and all rehearsal sites reflect these obstacles. The commander pays particular attention to the status and location of reduction assets throughout preparations for the attack. This results in an MCB being removed from an inoperable M1 at the unit maintenance collection point (UMCP) to an operable M1 in the assault force.

D-12. The TF crosses the LD at 95 percent strength (all MCBs, MICLICs, and MCRs are operational). Before crossing PL DODGERS, the TF scouts report that three of the four vehicles in NAI 300 have been destroyed by Copperhead munitions. The commander reminds the S3 that destroying the remaining vehicles is his first priority.

D-13. As the support force crosses PL CUBS, the TF S3 reports that he has lost two M2s to indirect fires and one M1 to maintenance and is beginning to occupy SBFs 1 and 2. Artillery units begin suppressive fires and begin to build obscuration smoke. As the support force begins to suppress the enemy with direct and indirect fires, the breach and assault forces occupy ASLT PSNs BREACH and DOG, respectively, and conduct final preparations as necessary. The tactical operations center (TOC) informs the commander that CFZ 1 will be activated when the breach force is committed. The breach-force commander reports that all reduction assets are operable, and the TF scouts report that

the final vehicle in OBJ CUBA has been destroyed. The TF S3 reports that obscuration and suppression have been achieved and that combat power is 6 M1s and 13 M2s.

D-14. Having met the commitment criteria, the commander orders the breach force to AA123456 to begin obstacle reduction. The breach-force commander initially moves his security element to SBFs 3 and 4. The reduction-element commander also moves forward with his platoon leaders to recon the obstacle and confirm/refine the plan to reduce the obstacle. Once the security element is set in SBFs 3 and 4, the reduction element moves forward to reduce the obstacle. When the first lane is created and proofed, the breach-force commander moves a portion of the security element from SBF 3 to SBF 5. The assault-force commander begins movement from the assault position to the far-recognition marker that has been reported by the reduction-element commander. Upon reaching the far-recognition marker, the assault-force commander can observe the final-approach marker and the marked lane.

D-15. The assault force moves through lanes in the tactical obstacles and sets its platoons in the SBFs. It immediately begins to create two lanes in the protective obstacles with the MCBs. When the lanes are complete, the assault-force commander maneuvers the two tank platoons to SBF 10, while the mechanized company team continues to suppress the remaining enemy vehicles. The engineer platoon remains at protective obstacles to mark lanes in preparation for passing follow-on forces.

D-16. The engineer battalion S3 is immediately behind the assault force. He takes control of the reduction element that has created, proofed, and marked two lanes in the tactical obstacles by this time. The S3 moves a portion of the reduction assets away from the lanes to counter any SCATMINES that the enemy may use to close the lanes. The S3 prepares to assist with TF 3-71's passage through the lanes. When the assault force reports that it has created a safe route to PL REDS, the brigade commander orders TF 3-71 to pass through TF 1-12 and continue the attack.

CONSIDERATIONS FOR RESTRICTED TERRAIN

D-17. The breaching tenets discussed in *Chapter 1* apply to breaching operations in restricted terrain; however, the application of these tenets is different from a breaching operation conducted in open terrain. The following considerations should be made when breaching in restricted terrain:

- OBSTINTEL collection is critical when conducting breaching operations in restricted terrain. It is essential that the breach force knows what types of obstacles are in place and knows the exact composition of any complex obstacle. With this information, the breach-force commander can ensure that the reduction assets necessary to reduce the obstacle are available and placed in the right order in the movement formation. The breach force's ability to move reduction assets within the formation may be extremely limited due to the terrain's constricting nature.
- Recon assets tasked to obtain OBSTINTEL should be prepared to recon different types of obstacles than would normally be found in open terrain. For example, in urban or mountainous terrain, the

enemy may use rubble obstacles, such as the *rock drop*. Additionally, recon assets are much more likely to encounter field-expedient or booby-trapped obstacles when conducting operations in restricted terrain. Recon assets used to collect OBSTINTEL must be able to recommend reduction methods to be used by the breach force when reducing the obstacle.

D-18. The proper application of the following breaching fundamentals is essential to the success of breaching operations conducted in restricted terrain. As with other breaching tenets, breaching fundamentals are normally applied differently in restricted terrain than in open terrain.

- **Suppress.** The need to prevent or degrade enemy fires and observation of friendly forces remains unchanged when breaching in restricted terrain. However, unlike a breaching operation conducted in open terrain in which the support force can suppress the enemy with long-range fires, massed indirect fires, and smoke, suppression will normally be achieved through close-in fighting. Forces tasked with suppressing the enemy may find it necessary to seize terrain at or on the far side of the obstacle to achieve their mission. In all probability, the fighting to achieve enemy suppression will be decentralized. Therefore, the ability to use indirect fires will be restricted due to the close proximity of friendly and enemy forces.
- **Obscure.** When trying to obscure the enemy with indirect fires, the same problems exist as when trying to suppress the enemy. Using mortars (because of their ability to fire high-level trajectory), smoke pots, and smoke grenades may be more effective. The potential for degrading friendly-force operations when using obscurants is greater because of the close-in nature of the fighting that occurs in restricted terrain.
- **Secure.** The responsibility to secure the reduction area may normally be given to the support force when conducting breaching operations in restricted terrain. Because the support force may find it necessary to seize terrain on the far side of the obstacle to suppress the enemy, securing the reduction area may be accomplished at the same time. When this situation occurs, the amount of maneuver forces within the breach force may be less than what is normally necessary when breaching in open terrain.
- **Reduce.** The ability to create more than one lane and to move reduction assets around each other may be severely restricted when breaching in restricted terrain. For this reason, accurate OBSTINTEL and a well-thought-out, well-rehearsed reduction plan are critical.
- **Assault.** As discussed earlier, the number of lanes available to the assault force may be less than what is actually needed. For example, a battalion-size assault force may be restricted to using a single lane through an obstacle due to the restricted terrain. For this reason, the assault-force commander must ensure that the sequencing of forces through the lane is appropriate to achieve the mission.
- **Mass.** Although mass remains a critical tenet for breaching operations in restricted terrain, the ability to achieve mass may be difficult and time-consuming. The assault force will attempt to

achieve a 3:1 combat-power ratio. However, due to the restricted nature of the terrain and the limited number of lanes that may be created, the assault force may take longer to get that much combat power to the far side of the obstacle. Units must consider ways to minimize the risk to the assault force as it builds its combat power on the far side of the obstacle.

- **Synchronize.** The reverse-planning process described in *Chapter 1* remains the key to successful breaching operations in restricted terrain. However, effective C², particularly the controlling of personnel and equipment around the point of breach, is critical for successful operations. The terrain's restricted nature magnifies mistakes made in bringing the proper reduction assets forward to the obstacle or in sequencing forces through created lanes. These mistakes result in increased time for the enemy to react to the breaching operation through repositioning and other means. For this reason, a well-rehearsed force is critical. All subordinate units must understand their mission, the overall timing of the operation, and how their actions relate to missions of other subordinate units.

CONSIDERATIONS FOR MILITARY OPERATIONS IN URBANIZED TERRAIN

D-19. Military operations in urbanized terrain (MOUT) is defined as all military actions that are planned and conducted on a topographical complex and its adjacent natural terrain where man-made construction is the dominant feature. Urbanized terrain affects the tactical options available to the commander and requires a thorough knowledge of unique terrain characteristics, detailed planning down to the smallest unit level, and sound leadership at all levels. The complexities of the urban environment, such as line-of-sight (LOS) restrictions, inherent fortifications, limited intelligence, densely constructed areas, and the presence of noncombatants, restricts current military technology. US forces do not possess the overwhelming technology advantages in an urban environment as in other environments.

D-20. A three-dimensional view of the terrain is essential to gain a complete understanding of observation and AAs. The close fight (inside the building) is difficult and decentralized, with control of the movement from room to room most often in the hands of squad and platoon leaders. Success in the movement from building to building is a combined-arms fight, which requires the active involvement of a battalion command post. Seeing the terrain in a three-dimensional view will identify opportunities for employment of all the battalion's combat power and enable the battalion to set the conditions for successful platoon and company assaults.

PLANNING

D-21. Close-quarters clearing techniques are designed to be executed by standard four-man breach and clearing teams. Therefore, the size of the breach organization will be significantly smaller than those involved when fighting occurs in open terrain. The reduction element must work with the

breach leader to formulate the assault plan and to ensure that all planning considerations are completed.

D-22. The reduction element is responsible for the following tasks during the planning phase:

- Accessing all intelligence data on potential breach points.
- Helping the command element select the best method of entry (mechanical, shotgun ballistic breach, or explosive). (See *Figures D-7 through D-9*, and *Figure D-10*, page D-14)
- Assembling and preparing tools and equipment and constructing explosive entry charges and diversionary charges if required.
- Briefing team members.
- Rehearsing.
- Conducting a back brief of team members.
- Conducting a precombat inspection (PCI).

D-23. The commander, breacher, and other essential personnel assemble and analyze all available information, data, and intelligence pertaining to the intended target. This involves examining the design construction and material makeup of the structure to determine the best primary and alternate points of breach.

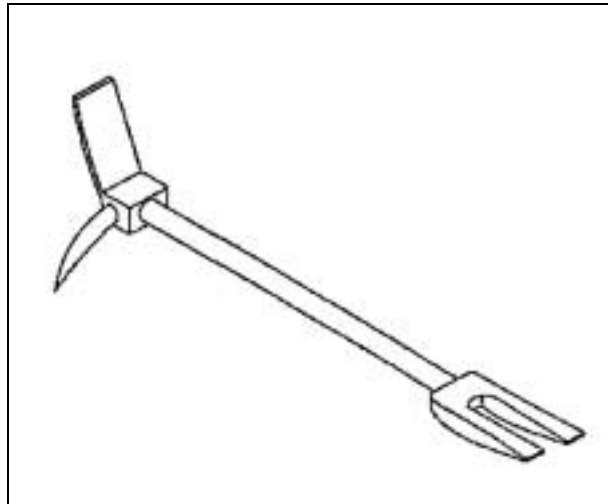


Figure D-7. Hooligan Tool

METHOD OF ENTRY

D-24. Once the point of breach has been identified, the reduction element leader continues to assemble and analyze all available information, data, and intelligence pertaining to the target structure. This involves a detailed examination of each point of breach's design, construction, and material makeup to determine the best primary, secondary, and tertiary breaching method. Again, tactics to be employed may dictate or rule out specific entry points.

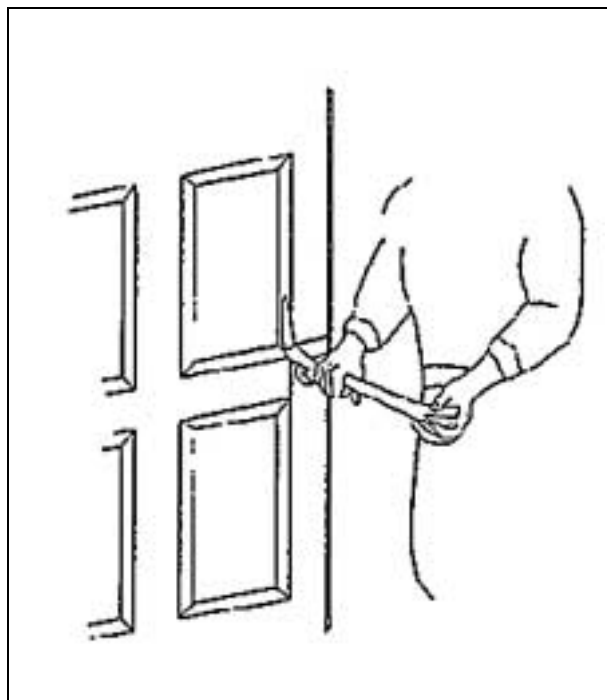


Figure D-8. Using a Hooligan Tool Against an Inward-Opening Door

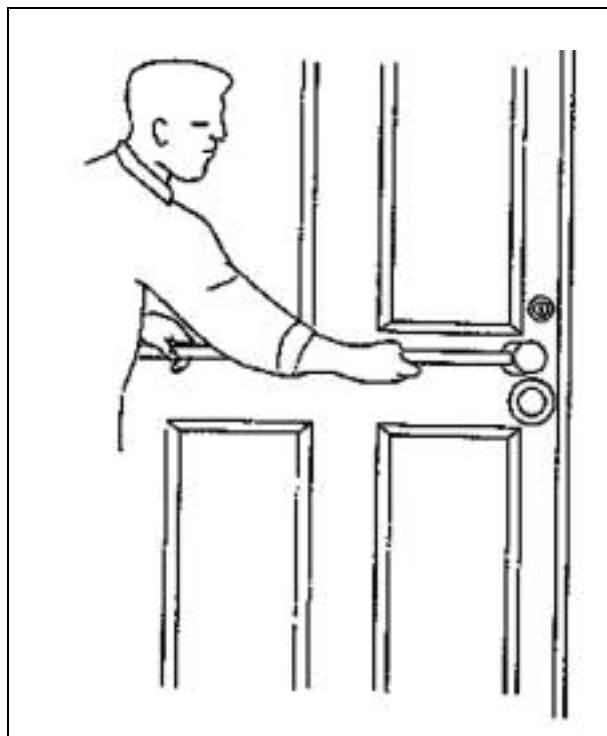


Figure D-9. Attacking a Dead Bolt with a Sledgehammer

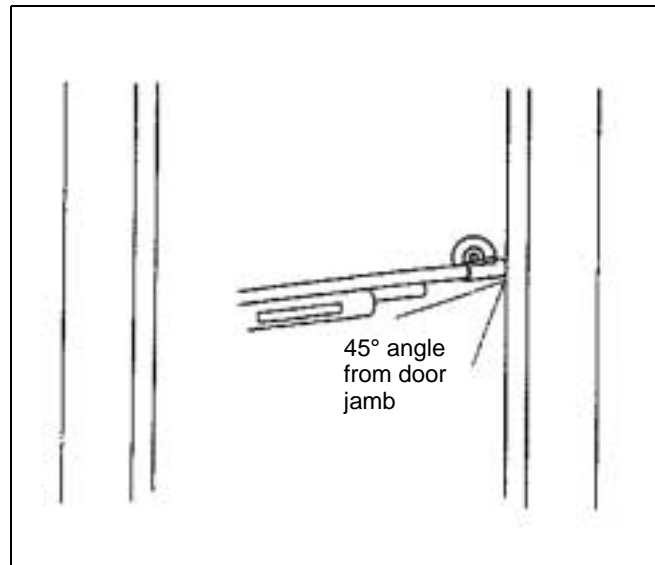


Figure D-10. Using a Shotgun Against a Door Lock

OBSTACLE INTELLIGENCE

D-25. Collecting the following OBSTINTEL is critical during MOUT:

- What type of mission is it?
- Are drawings or blueprints of the structure available?
- Are photographs of the point of breach and adjacent structures available?
- Can R&S personnel give a detailed description of the point of breach?
- Can counterintelligence personnel provide any information?
- Are there any human intelligence sources (agents, friendly forces, evacuees, prisoners, tourists, workers, businessmen, travelers) that can provide information relating to the point of breach?
- What type of shielding is available at potential breach points (natural or man-made)?
- How close will the assault force be positioned to the breach points?
- Do drawings of the target (if available) include gas, power lines, and other similar hazards?
- Is there a history of booby-trap use?
- Will the weather affect charge adhesion methods?

BREACHING FUNDAMENTALS

D-26. The proper application of the following breaching fundamentals is essential to ensure success in breaching conducted during MOUT. As with other breaching tenets, the breaching fundamentals are normally applied differently in urbanized terrain than in open terrain.

- **Suppression.** Maneuvering to achieve suppression of the enemy will be decentralized. Therefore, the ability to use indirect fires will be

restricted due to the close proximity of friendly and enemy forces and civilians.

- **Obscure.** The potential for degrading friendly-force operations with obscurants is greater due to the close-in fighting that occurs in built-up terrain. Hand-emplaced smoke will likely be the most effective.
- **Secure.** Breach and clearing teams secure a foothold near the point of breach. Local security must consider all possible locations for the enemy to hide.
- **Reduce.** Redundant systems are critical during MOUT. The reduction element is responsible for preparing equipment/charges for emplacement, searching for improvised explosive devices (IEDs), and verifying target intelligence.
- **Assault.** The actual attack of the objective using close-quarters battle techniques should be conducted according to the assault plan. The unit should be prepared to conduct additional planned and unplanned breaches.

Appendix E

Route Clearance

Route clearance is a combined-arms operation typically executed by an infantry company or a cavalry troop. Units must clear lines of communication (LOC) of obstacles and enemy activity that disrupt battlespace circulation. Units must conduct route clearance to ensure that LOC enable safe passage of combat, combat-support (CS), and CSS organizations. Clearance operations are normally conducted in a low-threat environment.

METHODS AND LEVELS

E-1. The information gathered from the IPB and the recon effort determines the method and type of route clearance to conduct. The determination is based on the situation, the time available, the threat level, and available assets.

E-2. During stability and/or support actions, it is recommended that former-warring-faction (FWF), engineer-equivalent clearance teams precede US clearance teams within the FWF's AO. Do not assume that FWF clearance teams will be thorough in their clearance operation. Treat the route as unsafe until US or allied force clearance teams have proofed the route to confirm that it is cleared.

CLEARANCE METHODS

E-3. There are three methods of route clearance—linear, combat, and combat route. The method employed depends on the situation, the time available, and the clearance assets available. The maneuver force should always establish static security positions at critical locations following the completion of route clearance.

- **Linear.** In linear clearance (*Figure E-1*, page E-2), the clearance begins at checkpoint 1 and is completed at checkpoint 2. This method provides the best assurance of route clearance. Although this is an effective method, it is not the most secure method in a high-threat environment. It is also time-intensive and constrains the maneuver commander's flexibility.
- **Combat.** Whereas linear clearance focuses on a specific route, combat clearance (*Figure E-2*, page E-2) focuses on specific points along a route. As mentioned previously, the IPB can identify likely areas for obstacle and ambush locations. These areas become NAIs or objectives for combat clearance missions. The combat clearance method divides a route into sections according to the number of suspected high-threat areas. Once the unit clears these areas, the route is considered clear. Combat forces can patrol the route from these objectives to ensure

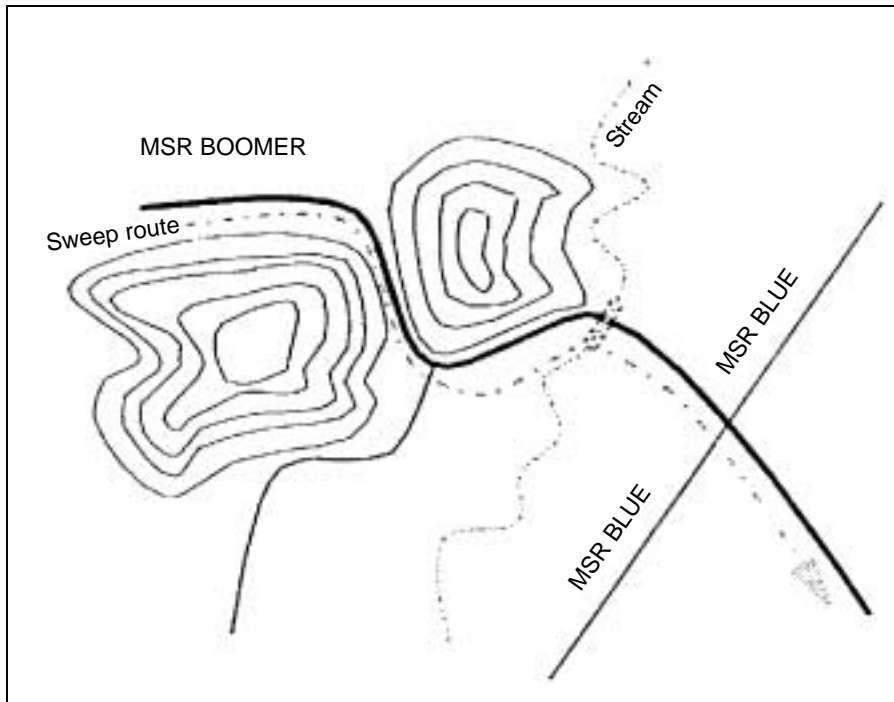


Figure E-1. Linear Clearance Method

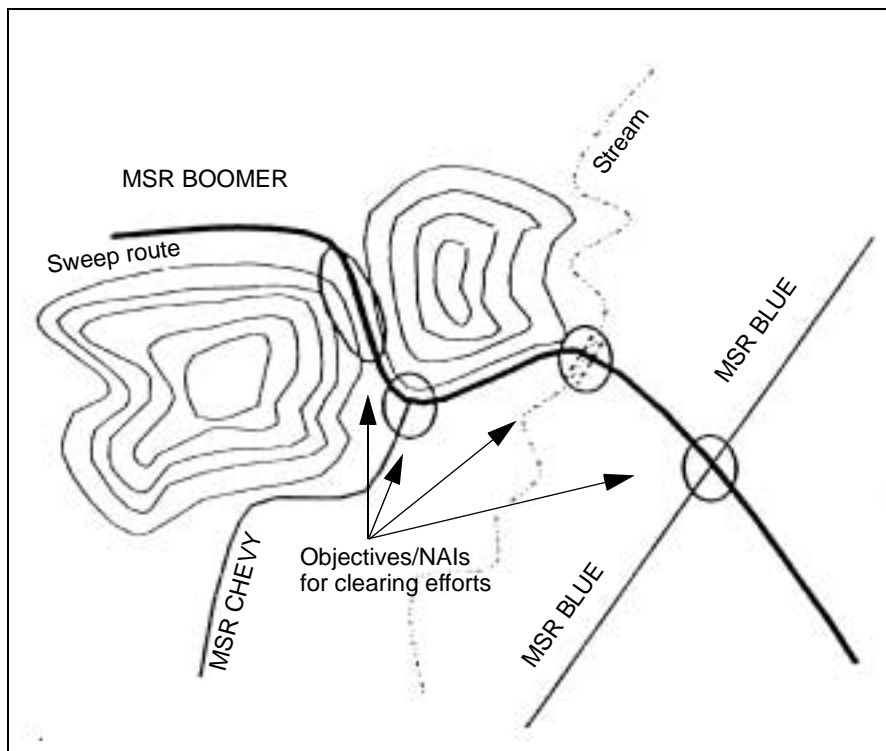


Figure E-2. Combat Clearance Method

that the route is secure and, if necessary, the sweep element can sweep the surrounding area if a minefield is found. Following the seizure of these objectives, the commander must assume a moderate risk that the S2 and the force engineer have identified all high-threat areas and that the route is clear of obstacles.

- **Combat route.** This method combines the clearance capabilities of the linear method with the security and surprise elements of the combat method. It is a two-phase, force-intensive operation and may require a battalion-size element, depending on the route's length. First, identified high-threat areas are targeted, secured, and cleared of obstacles and enemy forces before a sweep team moves. The sweep team then travels down the road and clears obstacles missed or not identified during the IPB/engineer battlefield assessment (EBA). The advantage of this method is that the TF commander immediately secures MSRs and then finds the enemy, confident that MSRs are relatively safe.

SWEEP LEVELS

E-4. The four levels of sweep operations are discussed below. All four levels can be modified to meet the unit's time and equipment limitations, but the commander assumes greater risk when the clearance level is modified. All four sweep levels can be used with any of the three clearance methods (linear, combat, and combat route).

- **Level one.** This is the fastest, riskiest type of route sweep. It is ideal for an armored/mechanized team. The sweep relies primarily on visual detection, using thermal or infrared sights or the naked eye for mine identification. It is followed immediately by a secondary, mechanical detection system such as MCRs. The sweep team is a squad-size or larger element that is task-organized with mine detectors, demolitions, and possibly an interim vehicle-mounted mine detector (IVMMD). The sweep team looks for minefields along the road width of a route. Security and support teams consist of a maneuver platoon to provide overwatching fire. The primary objective of a level one sweep is speed, with the sweep team moving at 5 to 8 miles per hour. The sweep team identifies immediate risks to traffic, neutralizes those risks, and continues on with the mission. If mine rollers are not available, a sandbagged 2 1/2-ton truck driven backwards can be used for a level one sweep, but only as a last resort. In this situation, the mine rollers are only a means of detection, not breaching. Mine rakes or plows are not always satisfactory substitutes because they most likely will destroy road surfaces.
- **Level two.** A level two sweep uses electronic measures as the primary detection method in high-threat areas. These areas include intersections, choke points, and areas within 10 meters of wood lines. A level two sweep employs more caution and forces the unit to update the IPB before beginning the mission. This level of operation employs a company team for security and C². Dismounted forces clear and secure the flanks and the far side of an identified minefield, while an engineer squad clears the road area.

- **Level three.** A level three sweep is more in-depth and more time-consuming. The sweep team must examine the route's entire width, including the shoulders and ditches. This technique ensures that follow-on forces are protected if they are forced to the side of the road. The security and support element also moves, mounted or dismounted, to provide rapid response and security. The sweep team provides a route recon report that updates current maps and further identifies high-threat areas. Staffs gain valuable information from this report for future operations.
- **Level four.** A level four sweep is very time-consuming. It relies on visual and electronic means for clearance. The platoon-size sweep team is dismounted to focus attention on the route's entire length. The company-size security element clears and secures the flanks and front of the sweep team (at least 100 meters in each direction in forested areas). This clears the area of off-route and command-detonated mines and allows the team to focus solely on the route. MCRs are used to proof the route after the sweep team passes through the area. Level four sweeps include route and area recons, and they are used when thoroughness and security, not speed, are critical to the mission.

EQUIPMENT

E-5. The IVMMD and the MinFlail are used to conduct route clearance.

INTERIM VEHICLE-MOUNTED MINE DETECTOR

E-6. The IVMMD (*Figure E-3*) is used in all levels of conflicts and stability and/or support actions. It is mounted on a blast- and fragmentation-survivable vehicle and is designed to detect and mark buried and surface-laid, metallic AT mines. The primary mission of the IVMMD is to detect mines during route-clearance operations. The system should not be operated in an environment where the enemy employs mines that are not pressure-fused.

System Components

E-7. A complete IVMMD consists of one mine-detection vehicle (MDV), one towing/mine-detection vehicle (T/MDV), three mine-detonation trailers, a spare-wheel module for the MDV, a spare-wheel module for the T/MDV, and a container of spare parts.

E-8. The MDV's only mission is to detect mines. It can negotiate vertical slopes up to a 20 percent grade. The MDV employs a 4-cylinder engine and a manual transmission to propel the 4.8-ton vehicle with a 3-meter-wide detection array. The detection array consists of two separate induction coils (one for the left side and one for the right side) that detect magnetic fields below the vehicle. The detection array is suspended between the two axles of the vehicle. When the detector encounters a metallic object, the operator is notified by an audible signal in the earphone and a visual signal on the dashboard that denotes which side array detected the object. The operator then stops the vehicle, backs it up, and reencounters the metallic object. (The MDV has two detection modes—the locate mode is used to identify the metal object, and the pinpoint mode is used to find the center of the object.) When

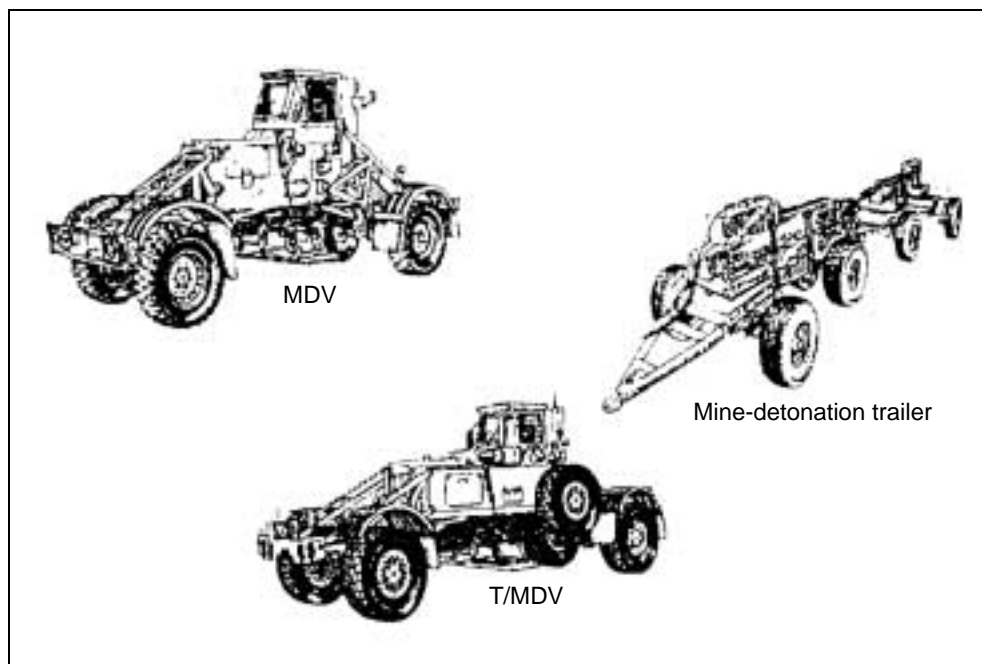


Figure E-3. IVMMD Components

the operator encounters the strongest signal, he activates the marking system (a nozzle mounted on the rear frame and centered on each detection array) that deploys a water-based ink onto the roadway.

E-9. The MDV is designed to produce very little ground pressure; however, it may detonate pressure-fused mines, depending on their fuse sensitivity. The MDV produces 27.9 pounds per square inch (psi) of ground pressure when the tires are inflated to 14.5 psi and 21.8 psi of ground pressure when the tires are inflated to 8.7 psi.

E-10. The T/MDV has a 6-cylinder engine and the same detection and marking system as the MDV. The T/MDV produces 49.8 psi of ground pressure when the tires are inflated to 29 psi and 23.4 psi of ground pressure when the tires are inflated to 8.7 psi. The T/MDV tows three mine-detonation trailers, and the recommended maximum operating speed while towing the trailers is 20 kph. The T/MDV (with trailers) can negotiate vertical slopes up to a 20 percent grade; however, going down such slopes is difficult. The T/MDV must be in first gear, and the trailer brakes must be deployed to decrease the speed of the vehicle when going down a slope.

E-11. The mine-detonation trailers are very heavy and specifically designed to apply heavy ground pressure that initiates pressure-activated mines. Each trailer has two axles of different lengths so that the three trailers provide a full 3-meter-wide proofing capability behind the T/MDV. If a mine detonates underneath the trailers, the wheel bolts are designed to shear so that repair is limited to replacing a single wheel.

Employment Concept

E-12. The IVMMMD is used to support route-clearance operations. Clearance operations ensure that LOC are safe for the passage of personnel and equipment. The IVMMMD should not be used during hours of limited visibility, because it hampers the operator's ability to see surface-laid mines and visual signatures that indicate mining activities.

MINIFLAIL

E-13. The MiniFlail (*Figure E-4*) is a remotely operated, LOS, AP-mine and unexploded-ordnance (UXO) neutralization system that was developed for use by US light forces. The MiniFlail detonates or disables AP mines from a safe operating distance. It neutralizes by striking objects with a rotating chain assembly, called a flail, and clears a footpath about 1.1 meters wide. The system neutralizes AP mines and UXO by detonation, mechanical destruction, or displacement from the cleared lane. The MiniFlail is about 1.3 meters wide, 1.3 meters tall, and 3 meters long; it weighs 1,100 kilograms. The system is operated by a hand-held controller that has a maximum range of 300 meters. It is fully armored with a material similar to Kevlar, and the tires are filled with foam. The MiniFlail is a self-articulating, hydraulically powered shaft with 84 chains; each chain is 0.5 meter long.

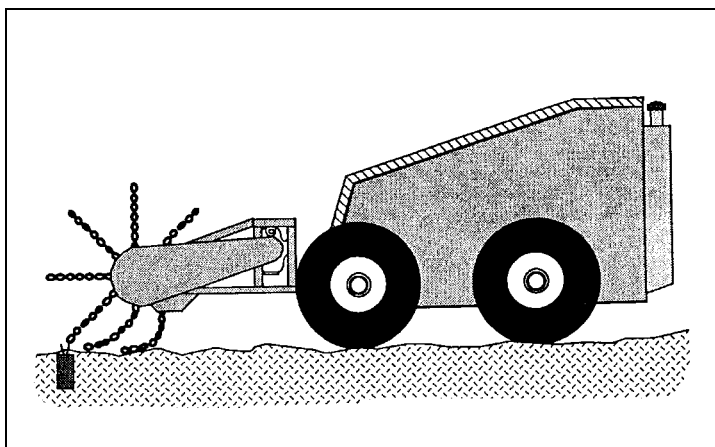


Figure E-4. MiniFlail

PLANNING

E-14. The principles of breaching operations apply to developing and executing the route-clearance mission. The breaching tenets (intelligence, fundamentals, organization, mass, and synchronization) are the basis for planning.

INTELLIGENCE

E-15. Incorporating the IPB and METT-TC factors into route-clearance operations enables units to predict what the enemy will do and where it will do it. After the S2 and the engineer identify the most probable threat sites, the S2 designates them as NAIs. These NAIs are the focus of the recon effort.

Recon assets confirm the presence or absence of ambushes, UXO, and obstacles. The information gathered from the IPB and the recon effort determines the method and type of route clearance necessary. It also helps the commander determine any outside resources (explosive ordnance disposal [EOD] and special-operations forces [SOF]) that he may need.

FUNDAMENTALS

E-16. SOSRA may not be executed, but it is planned as it is in breaching operations. Units must be prepared to execute SOSRA fundamentals as necessary.

ORGANIZATION

E-17. Route-clearance operations are similar to breaching operations; therefore, commanders should plan and coordinate breaching fundamentals to suppress, obscure, secure, and reduce obstacles. Task-organizing for route clearance is also similar to that required for breaching operations. The assault force becomes the security element, the breach force becomes the sweep element, and the support force remains the same.

E-18. The significant difference between breaching and clearing operations is that breaching usually occurs during an attack (while under enemy fire) to project combat power to the far side of an obstacle. Route clearance focuses on opening LOC to ensure the safe passage of combat and support organizations within an AO. *Table E-1*, page E-8, shows a sample task organization for a route clearance.

MASS

E-19. Sufficient maneuver and engineer assets must be allocated to the sweep force. The length and width of the route and the type of clearance to be conducted determine the composition of the breach force. Clearing a Class A military road with the deliberate sweep technique requires at least two IVMMDs and/or two engineer squads due to the total lane width to be cleared and the requirement for rotating mine-detector operators. Depending on the type of sweep operation, the commander should plan for a 50 percent loss of sweep assets.

SYNCHRONIZATION

E-20. All aspects of synchronization should be implemented when planning route clearance. It is especially important that the clearance force conduct rehearsals at the combined-arms level. Rehearsals should include—

- Reaction to enemy contact, including ambushes.
- Communications exercise.
- Fire support (obscuration smoke, immediate suppression fires, CFZs, and no-fire area around the clearance site).
- CSS (casualty evacuation, marking materials, and demolitions resupply).

Table E-1. Sample Task Organization for a Route Clearance

| Team | Support Force | Security Force | Sweep Force |
|-------------|---|---|---|
| Heavy | Mechanized infantry platoon with dismount capability Armor platoon FIST/COLT/Striker ADA section | Mechanized infantry platoon Engineer squad Mortar section Medical team (two ambulances) PSYOP team FIST MP element | Engineer platoon with organic vehicles Armor platoon with plows and rollers |
| Light/Heavy | Two infantry platoons (light) FIST/COLT/Striker ADA section | Bradley platoon with dismount capability Engineer squad 60-mm mortar section Medical team (two ambulances) PSYOP team FIST MP element | Engineer platoon with organic vehicles Armor platoon with plows and rollers |
| Light | Two infantry platoons (light) FO/COLT/Striker ADA section | AT/MP section with M60/MK19 mix 60-mm mortar section Medical team (two ambulances) PSYOP team FO MP element | Engineer squad (+) Infantry platoon (light) AT/MP section with M60/MK19 mix |

PLANNING CONSIDERATIONS

E-21. The purpose of breaching is to project combat power to the far side of an obstacle, and breaching usually occurs under enemy fire. Route-clearance operations focus on opening and maintaining LOC to ensure the safe passage of combat, CS, and CSS organizations. Like breaching, route-clearance operations require extensive Battlefield Operating System (BOS) coordination. The planning considerations shown in *Table E-2* should be used by brigade and battalion TFs when planning route-clearance operations. The obstacle template produced from this process determines which method and type of route clearance is required.

Table E-2. Planning Considerations for Route Clearance

| INTELLIGENCE |
|--|
| Identify choke points, bridges, tunnels, critical road junctions, and built-up areas. These are the most likely locations for obstacle emplacement. However, depending on the enemy's overall mission, it may not always emplace obstacles at these locations. This is especially true if the enemy's goal is to psychologically disrupt convoys. |
| Maintain a situation map that reflects the most current intelligence information. |
| Maintain an incident map with a graphics overlay to facilitate a pattern analysis. |
| Maintain a threat order-of-battle database, such as how the enemy has disrupted LOC in the past. |
| Develop a detailed ISR plan that incorporates modern battle-space techniques and systems, such as ground sensors, forward-looking airborne radar, and satellite images. As a minimum— <ul style="list-style-type: none"> • Coordinate for UAV support, if available. • Develop infiltration routes to support recon and security at likely enemy ambush sites. • Develop an estimate of the impact to COBs (local nationals, NGOs, and PVOs). • Conduct a daily flight over the area to provide up-to-the-minute intelligence. • Coordinate with the USAF to periodically check the route (for example, use an AC-130 Specter gunship). |
| Establish liaison with the host nation, NGOs, and SOF. |
| Provide detailed OBSTINTEL, including— <ul style="list-style-type: none"> • Description of mines or explosive devices most likely encountered. • Composition and pattern of obstacles. • Enemy actions or techniques used during obstacle emplacement. |
| Provide intelligence updates on mine-hazard areas to company team leaders before departure. This should be in the form of a 1:50,000 enemy SITEMP overlay (confirmed and suspected/templated). |
| MANEUVER |
| Provide personnel for TCPs. |
| Secure flanks (at least 100 meters) and the far side of suspected and known obstacle locations. |
| Close the route to US-controlled traffic during route-clearance operations to minimize the target presented to enemy forces. |
| Identify and clear potential sniper positions before beginning obstacle reduction or clearance. |
| Provide security for the cleared route. |
| Plan the building of static security points along the cleared route to reduce the probability of reseeding. |
| FIRE SUPPORT |
| Plan smoke for templated obstacle locations. |
| Position mortars to ensure continuous coverage of the operation (one technique is to move under the control of the support force). |
| Prepare fires within the tactical rules of engagement. |
| Designate obstacle clearance sites as CFZs and no-fire areas. |
| Plan suppression fires on enemy elements capable of placing direct or indirect fires on the points of breach. |

Table E-2. Planning Considerations for Route Clearance (continued)

| MOBILITY/SURVIVABILITY |
|---|
| Report, clear, and mark obstacles and explosive devices to facilitate unimpeded movement. |
| Ensure that lane marking meets the standards directed by the supported commander and that materials and patterns are standard throughout the route. |
| Consider including road-repair equipment and material as part of the breach force (for example, a 5-ton dump truck filled with soil and an ACE to spread the soil). |
| Keep all radios, electronic equipment, and aviation assets at a safe distance during reduction operations. |
| Block uncleared roads and trails that branch from the route being cleared. This protects units from inadvertently traveling an uncleared route. |
| Debrief the chain of command and the TF S2 on the location, composition, and orientation of all obstacles cleared and encountered. This assists the S2 in IPB pattern analysis. |
| Provide detailed OBSTINTEL on minefields, including— <ul style="list-style-type: none"> • Description of mines or explosive devices most likely to be encountered. • Composition and pattern of obstacles. • Enemy actions or techniques used during obstacle emplacement. |
| ADA |
| Assist the S2 with the threat-air portion of the IPB. |
| Use the following passive air-defense measures: <ul style="list-style-type: none"> • Eliminate glare by using mud, tape, cardboard, or camouflage nets to cover headlights, mirrors, and portions of windshields. • Reduce dust clouds by reducing speed. • Plan routes that offer natural concealment. • Use air guards. |
| Increase the distance between vehicles. |
| Incorporate Stinger missile teams into the support force. |
| CSS |
| Ensure that clearance operations are supported by a logistical/CHS package. |
| Plan for air and ground evacuation of casualties. The preferred evacuation method is by air; the routine method is by ground. |
| Conduct an air-mission brief with air-ambulance assets, including pickup zones and markers. |
| Rehearse procedures for evacuation requests. |
| Ensure that the medical team consists of one or two ambulances. |
| Locate the medical team with the support force. |
| Identify the ambulance exchange point along the route to be cleared. |
| Ensure that appropriate personnel wear flak vests or IBASIC (<i>Figure E-5</i> , page E-12). |
| Ensure that all vehicles have tow cables in the front and the rear, and plan recovery assets for extraction purposes. |
| Ensure that all vehicles carrying troops have hardening (sandbags on floors and sides). |
| Provide MP and explosive-sniffing dogs to help in clearance operations and provide security for convoys during and after clearing operations. |

Table E-2. Planning Considerations for Route Clearance (continued)

| C² |
|--|
| Designate a controlling, coordinating, and supporting HQ for route movement. |
| Designate, recognize, and include the following minefield indicators as part of company-team rehearsals: <ul style="list-style-type: none"> • Dead animals. • Avoidance by the local population. • Signs of digging. • Signs of concrete removal. • Disturbances in a road, such as holes or grooves. • Boxes or parcels placed along the road/shoulder. • Parked vehicles or bicycles without operators. • Wire on the road surface or extending onto the shoulders. • Evidence of vegetation disturbance along shoulders. • Evidence of mine-peculiar supplies such as wrenches, shipping plugs, wrapping paper or safety collars from fuses. • Posted signs that covertly alert the local population to the presence of mines. • Disturbances in tire tracks. |
| Designate a reserve force (at least platoon-size) that is mechanized or air-assault capable. |
| Ensure that proper rehearsals are planned and conducted. As a minimum, the unit should rehearse actions at the obstacle, actions on enemy contact, casualty evacuation, and control of COBs. |
| Ensure that the unit has a clear understanding of the mission, the intent, and the end state. For example, the clearing-unit commander should understand that his unit must clear the road width, including the shoulders, and secure the route. |
| Ensure that the unit— <ul style="list-style-type: none"> • Controls the movement of all personnel and equipment along the route. • Clears personnel within the minimum safe distance when clearing mines. • Prepares a risk assessment of the mission before issuing the OPORD. • Tracks the status of routes based on the amount of time since the route was cleared and the intelligence and enemy situations. • Tracks the progress of the clearance operation and integrates it into the maneuver and CSS plans. • Determines the route length, using clearly definable start and end points. • Coordinates with adjacent units, the host nation, NGOs, PVOs, and SOF. • Sets priorities for the route-clearance element. |
| SPECIAL OPERATIONS |
| Ensure that PSYOP/CA support the counterintelligence effort by conducting civilian interviews. |
| Direct civilians along the MSR to the displaced-personnel holding areas or along the routes that the unit has indicated for use. |
| Employ PSYOP/CA teams forward to disperse civilians and provide traffic management to isolate the route during clearance operations. |

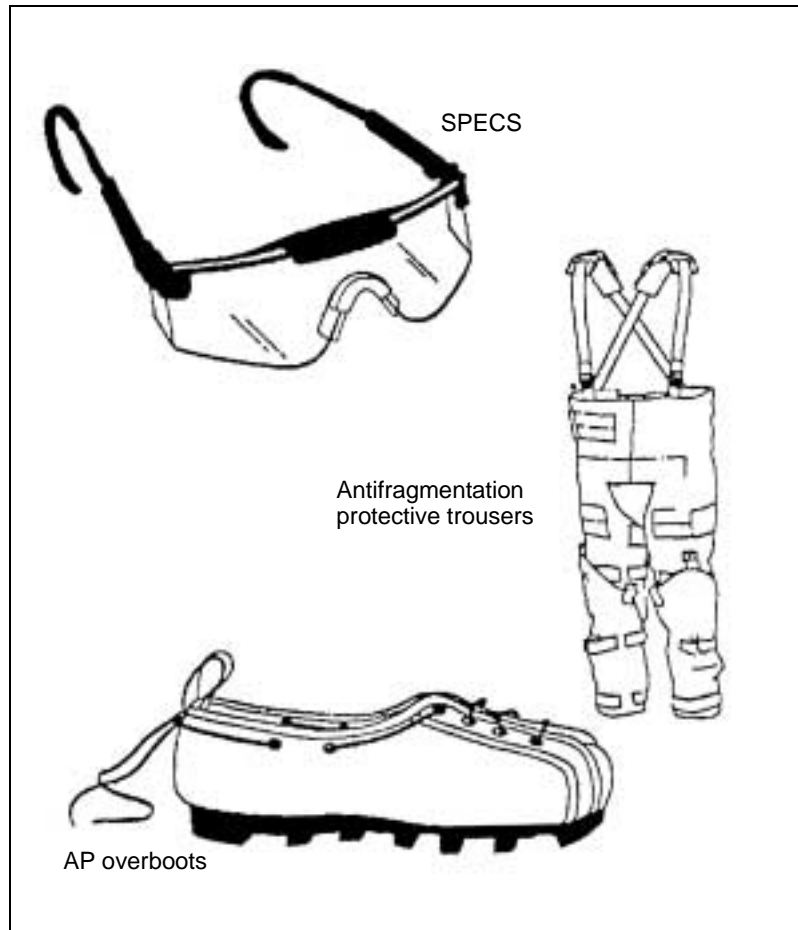


Figure E-5. IBASIC

TASK ORGANIZATION

E-22. A brigade or battalion TF normally conducts clearance-in-zone operations. To clear a route, the battalion TF focuses a company team as the main effort on the proposed MSR. *Table E-1*, page E-8, shows a sample task organization for a route clearance.

SUPPORT FORCE

E-23. The support force provides security for the breach force and neutralizes hostile forces. In rugged terrain or highly mined areas, moving the support force on the flanks may be too risky. In this situation, aviation assets may be used to provide flank security while ground forces provide rear security. The support force may also be tasked to search for suspected off-route mines.

SECURITY FORCE

E-24. The security force is prepared to maneuver and destroy enemy forces that the support force cannot neutralize. The security force may be comprised of maneuver and engineer forces augmented with a medical team, a

psychological operations (PSYOP) team, and an EOD team. Additionally, the security force may be supported by a mortar section.

SWEEP FORCE

E-25. The sweep force is comprised of maneuver and engineer forces with detection equipment. The sweep force sweeps the route and reduces mine and explosive threats. As in breaching operations, the sweep force consists of a security element and a reduction element. The security element provides local security for the sweep force. The reduction element consists of sweep teams (personnel and equipment) to reduce obstacles and clear mines.

E-26. A sweep team is a trained detection team that searches for mines and explosive devices. The organization of the sweep team depends on the type of sweep mission, the length and width of the road to be cleared, the time and equipment available, and the surface composition (pavement, gravel, dirt) of the road to be swept. A dismounted platoon-size element can normally clear a 4.5-meter-wide path, and a squad-size element can normally clear a 1.5-meter-wide path. Mounted detection equipment, such as the IVMMD, can detect mines along a 3-meter-wide path. See *FM 20-32* for detailed information on the composition of a sweep team.

Glossary

| | |
|--------------|---|
| AA | avenue of approach |
| ACE | armored combat earthmover |
| AD | armored division |
| ADA | air-defense artillery |
| ADAM | area-denial artillery munition |
| AHD | antihandling device |
| ammo | ammunition |
| AO | area of operations |
| AP | antipersonnel |
| APC | armored personnel carrier |
| APOBS | Antipersonnel Obstacle Breaching System |
| ASLT | assault |
| AT | antitank |
| atk | attack |
| ATTN | attention |
| AVLB | armored vehicle-launched bridge |
| AVLM | armored vehicle-launched MICLIC |
| BFV | Bradley fighting vehicle |

| | |
|----------------------|---|
| BHL | battle handover line |
| BOS | battlefield operating system |
| C² | command and control |
| CA | civil affairs |
| CAS | close air support |
| CCIR | commander's critical-information requirements |
| cdr | commander |
| CFZ | critical friendly zone |
| CHS | combat health support |
| CLAMS | Cleared-Lane Marking System |
| cm | centimeter(s) |
| cmd | command |
| COA | course of action |
| COB | civilians in the battle space |
| COLT | combat observation lasing team |
| CP | checkpoint |
| CS | combat support |
| CSS | combat service support |
| Czech | Czechoslovakia |
| DA | Department of the Army |
| det | detonated |

| | |
|--------------|---|
| dia | diameter |
| DPICM | dual-purpose improved conventional munition |
| DS | direct support |
| DST | decision-support template |
| ea | each |
| EA | engagement area |
| EBA | engineer battlefield assessment |
| EOD | explosive ordnance disposal |
| EOM | end of mission |
| FD | firing device |
| FECS | Field-Expedient Countermine System |
| FFIR | friendly forces information requirements |
| FIST | fire-support team |
| FM | field manual |
| FM | frequency-modulated |
| FO | foward observer |
| FRAGO | fragmentary order |
| FSE | fire-support element |
| FSO | fire-support officer |
| FWF | former warring faction |
| GPS | Global Positioning System |

| | |
|---------------|--|
| HE | high explosive |
| HEMMS | Hand-Emplaced Minefield Marking System |
| HEMTT | heavy expanded mobility tactical truck |
| how | howitzer |
| HQ | headquarters |
| IBASIC | Improved Body Armor System, Individual Countermine |
| ICP | intelligence-collection plan |
| ID | infantry division |
| IDA | improved dog-bone assembly |
| IED | improvised explosive device |
| IFV | infantry fighting vehicle |
| IP | improved plow |
| IPB | intelligence preparation of the battlefield |
| IR | information requirements |
| ISR | intelligence, surveillance, and reconnaissance |
| IVMMD | interim vehicle-mounted mine detector |
| km | kilometer(s) |
| kph | kilometers per hour |
| lb | pound(s) |
| LD | line of departure |
| ldr | leader |

| | |
|----------------|--|
| LO | liaison officer |
| LOC | lines of communication |
| LOS | line of sight |
| m | meter(s) |
| MCAP | mine-clearing/armor-protection |
| MCB | mine-clearing blade |
| MCR | mine-clearing roller |
| MCRP | Marine Corps reference publication |
| MDMP | military decision-making process |
| MDV | mine detection vehicle |
| METT-TC | mission, enemy, terrain, troops, time available, and civilian considerations |
| MIBN | motorized infantry battalion |
| MIC | motorized infantry company |
| MICLIC | mine-clearing line charge |
| MIP | motorized infantry platoon |
| MLC | military load class |
| mm | millimeter(s) |
| MOUT | military operations in urbanized terrain |
| MP | military police |
| MSR | main supply route |
| NA | not applicable |

| | |
|------------------|------------------------------------|
| NAI | named area of interest |
| NATO | North Atlantic Treaty Organization |
| NBC | nuclear, biological, chemical |
| NGO | nongovernment organization |
| NSN | national stock number |
| OBJ | objective |
| OBSTINTEL | obstacle intelligence |
| OP | observation post |
| OPFOR | opposing force |
| OPORD | operation order |
| oz | ounce(s) |
| PCI | precombat inspection |
| PIR | priority intelligence requirements |
| PL | phase line |
| psi | pounds per square inch |
| PSN | position |
| PSYOP | psychological operations |
| PVO | private volunteer organization |
| R&S | reconnaissance and surveillance |
| RAAM | remote antiarmor mine |
| RCU | remote control unit |

| | |
|-----------------|--|
| RL | release line |
| RP | reference point |
| S2 | Intelligence Officer (US Army) |
| S3 | Operations and Training Officer (US Army) |
| SBF | support by fire |
| SCATMINE | scatterable mine |
| SITEMP | situation template |
| SOF | special-operations forces |
| SOP | standing operating procedures |
| SOSRA | suppress, obscure, secure, reduce, and assault |
| SP | start point |
| SPECS | Special Protective Eyewear Cylindrical System |
| SPOTREP | spot report |
| STANAG | Standardization Agreement |
| T/MDV | towing/mine-detection vehicle |
| TAI | targeted area of interest |
| TC | tank commander |
| TCP | traffic-control post |
| TF | task force |
| TM | technical manual |
| TOC | tactical operations center |

TRADOC United States Army Training and Doctrine Command

TRP target reference point

TTP tactics, techniques, and procedures

UAV unmanned aerial vehicle

UK United Kingdom

UMCP unit maintenance collection point

US United States

USAF United States Air Force

UXO unexploded ordnance

WLGH weapon-launched grapnel hook

WO warning order

wt weight

Yug Yugoslavia

Bibliography

- DA Form 2028. *Recommended Changes to Publications and Blank Forms*. 1 February 1974.
- FM 3-50. *Smoke Operations*. 4 December 1990.
- FM 5-71-2. *Armored Task-Force Engineer Combat Operations*. 28 June 1996.
- FM 5-71-3. *Brigade Engineer Combat Operations (Armored)*. 3 October 1995.
- FM 5-71-100. *Division Engineer Combat Operations*. 22 April 1993.
- FM 5-105. *Topographic Operations*. To be published in the next six months.
- FM 5-170. *Engineer Reconnaissance*. 5 May 1998.
- FM 6-71. *Tactics, Techniques, and Procedures for Fire Support for the Combined Arms Commander*. 29 September 1994.
- FM 6-121. *Tactics, Techniques, and Procedures for Field Artillery Target Acquisition*. 25 September 1990.
- FM 7-10. *The Infantry Rifle Company*. 14 December 1990.
- FM 17-98. *Scout Platoon*. 9 September 1994.
- FM 20-32. *Mine/Countermine Operations*. 29 May 1998.
- FM 34-130. *Intelligence Preparation of the Battlefield*. 8 July 1994.
- FM 71-1. *Tank and Mechanized Infantry Company Team*. 26 January 1998.
- FM 71-2. *The Tank and Mechanized Infantry Battalion Task Force*. 27 September 1988.
- FM 71-3. *The Armored and Mechanized Infantry Brigade*. 8 January 1996.
- FM 90-7. *Combined Arms Obstacle Integration*. 29 September 1994.
- FM 100-5. *Operations*. 14 June 1993.
- FM 100-7. *Decisive Force: The Army in Theater Operations*. 31 May 1995.
- FM 101-5. *Staff Organization and Operations*. 31 May 1997.
- FM 101-5-1. *Operational Terms and Graphics (MCRP 5-2A)*. 30 September 1997.
- STANAG 2036. *Land Mine Laying, Marking, Recording and Reporting Procedures*. Edition 5. 28 January 1999.
- TM 5-6665-298-10. *Operator's Manual for AN/PSS-12 Mine Detecting Set (TM 5-6665-298-10)*. 28 February 1995.

TM 9-1375-215-14&P. *Operator's, Unit, Direct Support and General Support Maintenance Manual (Including Repair Parts and Special Tools List) for Demolition Kit, Mine Clearing Line Charge (MICLIC)*. 31 January 1992.

Index

A

ACE. See armored combat earthmover (ACE).
Antipersonnel Obstacle Breaching System (APOBS), C-17
APOBS. See Antipersonnel Obstacle Breaching System (APOBS).
armored combat earthmover (ACE), C-18
armored vehicle-launched bridge (AVLB), C-25
armored vehicle-launched MICLIC (AVLM), C-14
assault force, 1-10, 1-12
AVLB. See armored vehicle-launched bridge (AVLB).
AVLM. See armored vehicle-launched MICLIC (AVLM).

B

bangalore torpedo, C-18
breach area, 1-2
breach execution, 2-12
breach force, 1-9, 1-12
breach organization, 1-7, 2-7
breach planning, 1-18, 2-1
breach preparation, 2-10
breach scenario, D-1
breaching fundamentals, 1-6
 assault, 1-7, 2-6
 obscure, 1-6, 2-5
 reduce, 1-7, 2-6
 secure, 1-6, 2-6
 suppress, 1-6, 2-5
breaching tenets, 1-4
bulling through, 1-1
buried minefields, C-28
bypass marking, 3-1, 3-19
bypasses, 1-2

C

clearing equipment, C-4
COA. See course of action (COA).
commitment criteria, 2-9
complex obstacles, 3-21

course of action (COA), 2-4

D

danger zone (MICLIC), C-13
decision-support template (DST), 2-9
deliberate attack, 1-18
dismounted breaching assets, C-10
dog-bone assembly, C-21
dozer blades, C-18
DST. See decision-support template (DST).

E

electronic detection assets, C-11
electronic minefield reduction, C-26
electronic obstacle detection, C-3
entrance markers, 3-2
entrance-funnel markers, 3-3
exit markers, 3-2
explosive minefield reduction, C-12

F

far-recognition markers, 3-3
farside objective, 1-2
FECS. See Field-Expedient Countermine System (FECS).
Field-Expedient Countermine System (FECS), C-26
final-approach markers, 3-3
foreign mine data, B-6
foreign mine delivery systems, B-10
foreign mines
 full-width AT, B-8
 pressure-fused AP, B-9
 side-attack AT, B-10
 track-width AT, B-7
 trip-wire/break-wire-fused AP, B-10
forward passage of lines, 2-10
fragmentation zone (MICLIC), C-13

full (two-way) lane-marking pattern, 3-9

G

GMZs, B-1
grapnel, C-29
grappling hook, C-29
Grizzly, C-24

H

handrail markers, 3-2
hasty attack, 1-18
hooligan tool, D-12

I

IDA. See improved dog-bone assembly (IDA).
improved dog-bone assembly (IDA), C-21
initial lane-marking pattern, 3-4
intelligence, 1-4
intermediate lane-marking pattern, 3-6

L

lane maintenance, 3-13
lane marking, 3-1
lane requirements, 1-12
lane-marking devices, 3-1, 3-17
lane-marking levels, 3-4, 3-11
lane-marking patterns, 3-1
lane-marking requirements (NATO), 3-19
lanes, 1-2

M

manual minefield reduction, C-27
manual obstacle reduction assets, C-8
mass, 1-11
MCAP. See mine-clearing/armor-protection (MCAP) kit.
MCB. See mine-clearing blades (MCBs).
MCR. See mine-clearing rollers (MCRs).

MDMP. See military decision-making process (MDMP).
 mechanical minefield reduction, C-18
 mechanical minefield-detection system, C-4
 mechanical obstacle reduction assets, C-5
 metric conversion chart, A-1
 MICLIC. See mine-clearing line charge (MICLIC).
 military decision-making process (MDMP), 2-1
 military operations in urbanized terrain (MOUT), D-11
 mine detector (AN/PSS 12), C-3
 mine-clearing blades (MCBs), C-18, C-19
 mine-clearing line charge (MICLIC), C-12
 mine-clearing rollers (MCRs), C-18, C-21
 mine-clearing/armor-protection (MCAP) kit, C-25
 mine-emplacement techniques (threat), B-5
 MOUT. See military operations in urbanized terrain (MOUT).

O

obstacle clearing, 1-2
 obstacle detection, C-1
 obstacle intelligence (OBSTINTEL), 1-4
 obstacle reduction, 1-2, C-1
 obstacle-reduction equipment, C-4
 obstacles, 1-1
 protective, 1-1
 tactical, 1-1
 OBSTINTEL. See obstacle intelligence (OBSTINTEL).

P

Panther, C-23
 physical obstacle detection (probing), C-2
 point of breach, 1-3
 point of penetration, 1-3
 probing, C-2
 proofing, 1-2
 protective obstacles, 1-1

R

reduction area, 1-3
 reduction element, 1-9
 redundancy factor, 1-12

rehearsal techniques, 4-2
 rehearsals
 breaching, 4-1
 combined arms, 4-1
 restricted terrain planning considerations, D-9
 reverse-planning process, 1-13

S

sample breaching operation, D-1
 SCATMINE. See scatterable mines (SCATMINES).
 scatterable mines (SCATMINES), 2-3
 scatterable mines (threat), B-6
 security element, 1-9
 situation obstacles, 2-3
 skim technique, C-19
 skip zone, C-15
 support force, 1-8, 1-11
 surface danger zone (MICLIC), C-12
 surface-laid minefields, C-28
 synchronization, 1-13

T

tactical obstacles, 1-1
 TerraBase, 2-2
 terrain visualization, 2-2
 threat mine layers, B-1, B-5
 threat mine operations, B-1
 threat minefields, B-2
 antihull, B-4
 antipersonnel, B-4
 antitrack, B-3
 rapidly emplaced, B-3
 towing vehicles, C-14
 traffic control, 2-10, 3-13
 traffic-control guides/posts, 3-3

U

UMZs, B-5
 urbanized terrain planning considerations, D-11

V

visual obstacle detection, C-1

W

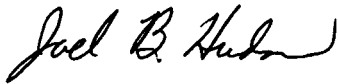
Wolverine, C-25

FM 3-34.2
(formerly FM 90-13-1)

By Order of the Secretary of the Army:

ERIC K. SHINSEKI
General, United States Army
Chief of Staff

Official:



JOEL B. HUDSON
Administrative Assistant to the
Secretary of the Army

DISTRIBUTION:

Active Army, Army National Guard, and US Army Reserve: To be distributed in accordance with the initial distribution number 115012, requirements for FM 3-34.2.