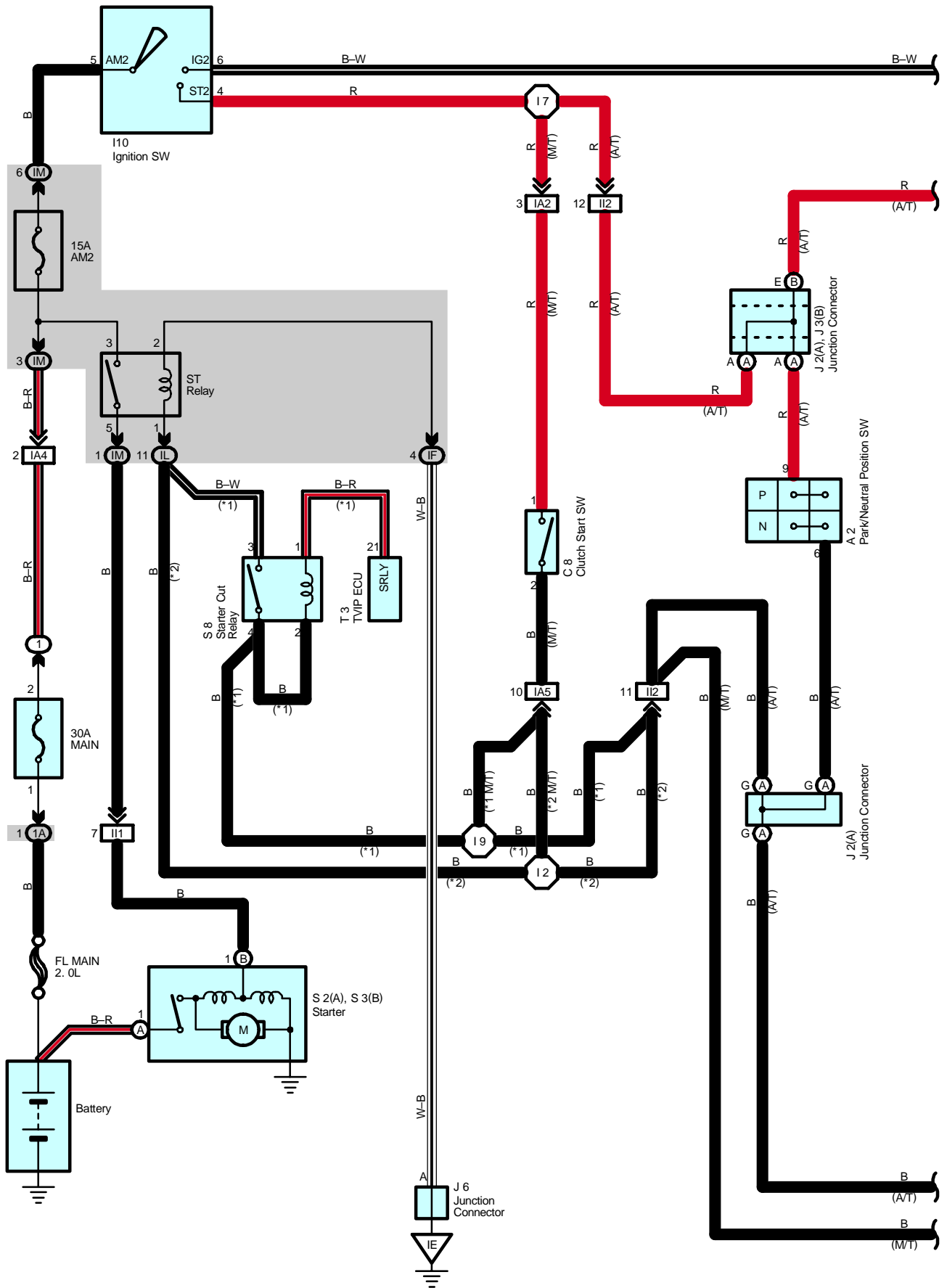
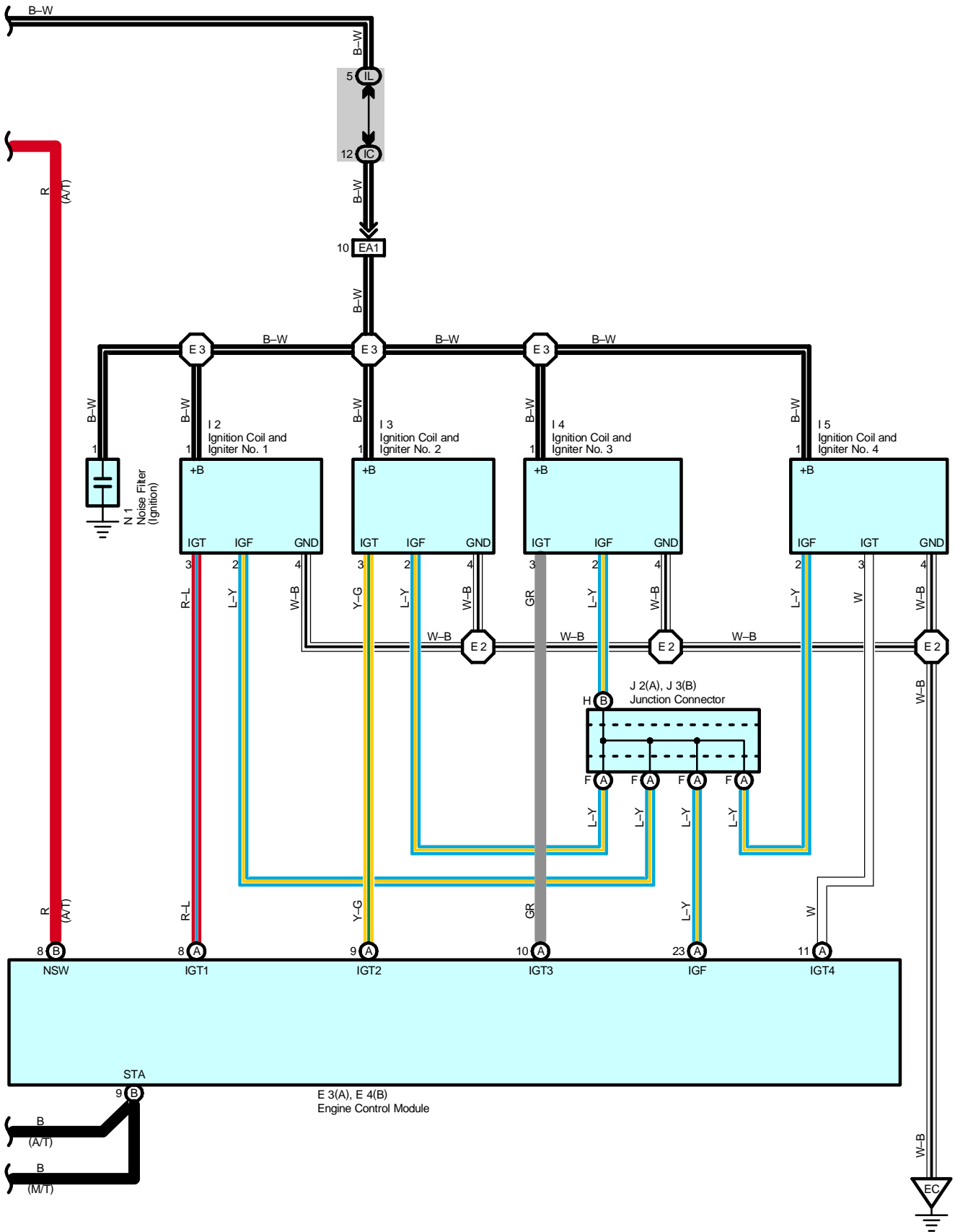


Starting and Ignition



* 1 : w/ TVIP System
 * 2 : w/o TVIP System



Starting and Ignition

Service Hints

I10 Ignition SW

- 5-4 : Closed with the ignition SW at ST position
- 5-6 : Closed with the ignition SW at ON or ST position

S2 (A), S3 (B) Starter

- Points closed with the shift lever at P or N position and the ignition SW at ST position (A/T)
- Points closed with the clutch pedal depressed and the ignition SW at ST position (M/T)

○ : Parts Location

Code	See Page	Code	See Page	Code	See Page
A2	32	I4	33	N1	33
C8	34	I5	33	S2	A 33
E3	A 34	I10	35	S3	B 33
E4	B 34	J2	A 35	S8	35
I2	33	J3	B 35	T3	35
I3	33	J6	35		

○ : Relay Blocks

Code	See Page	Relay Blocks (Relay Block Location)
1	22	Engine Room R/B (Engine Compartment Left)

○ : Junction Block and Wire Harness Connector

Code	See Page	Junction Block and Wire Harness (Connector Location)
IC	25	Engine Room Main Wire and Instrument Panel J/B (Lower Finish Panel)
IF	25	Instrument Panel Wire and Instrument Panel J/B (Lower Finish Panel)
IL	24	
IM		
1A	22	Engine Wire and Engine Room J/B (Engine Compartment Left)

□ : Connector Joining Wire Harness and Wire Harness

Code	See Page	Joining Wire Harness and Wire Harness (Connector Location)
EA1	38	Engine Wire and Engine Room Main Wire (Inside of the Engine Room R/B)
IA2	40	Engine Room Main Wire and Instrument Panel Wire (Left Side of the Instrument Panel Reinforcement)
IA4		
IA5		
II1	42	Engine Wire and Instrument Panel Wire (Blower Unit RH)
II2		

▽ : Ground Points

Code	See Page	Ground Points Location
EC	38	Left Side of the Cylinder Head
IE	40	Behind the Combination Meter

○ : Splice Points

Code	See Page	Wire Harness with Splice Points	Code	See Page	Wire Harness with Splice Points
E2	38	Engine Wire	I7	42	Instrument Panel Wire
E3			I9		
I2	42	Instrument Panel Wire			

