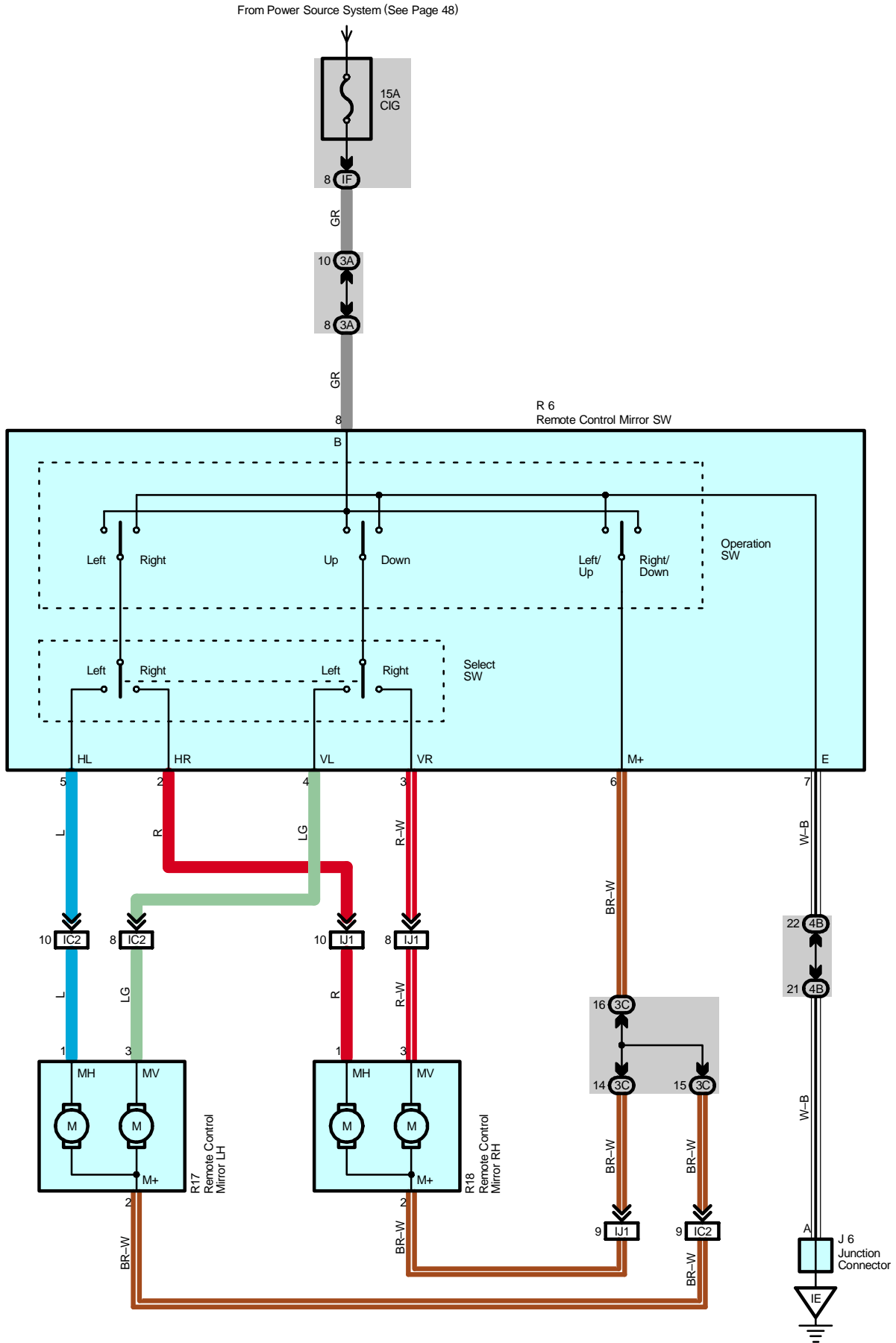


Remote Control Mirror



Service Hints

R6 Remote Control Mirror SW

8-6 : Continuity with the operation SW at Down or Right position

6-7 : Continuity with the operation SW at Up or Left position

8-Ground : Approx. 12 volts with the ignition SW at ACC or ON position

7-Ground : Always continuity

: Parts Location

| Code | See Page | Code | See Page | Code | See Page |
|------|--------------------|------|--------------------|------|----------|
| J6 | 35 | R17 | 37 | | |
| R6 | 35 | R18 | 37 | | |

: Junction Block and Wire Harness Connector

| Code | See Page | Junction Block and Wire Harness (Connector Location) |
|------|--------------------|---|
| IF | 25 | Instrument Panel Wire and Instrument Panel J/B (Lower Finish Panel) |
| 3A | 28 | Instrument Panel Wire and RH J/B (Right Side of the Instrument Panel Reinforcement) |
| 3C | | |
| 4B | 30 | Instrument Panel Wire and Center J/B (Behind the Combination Meter) |

: Connector Joining Wire Harness and Wire Harness

| Code | See Page | Joining Wire Harness and Wire Harness (Connector Location) |
|------|--------------------|---|
| IC2 | 40 | Front Door LH Wire and Instrument Panel Wire (Left Kick Panel) |
| IJ1 | 42 | Front Door RH Wire and Instrument Panel Wire (Right Kick Panel) |

: Ground Points

| Code | See Page | Ground Points Location |
|------|--------------------|------------------------------|
| IE | 40 | Behind the Combination Meter |