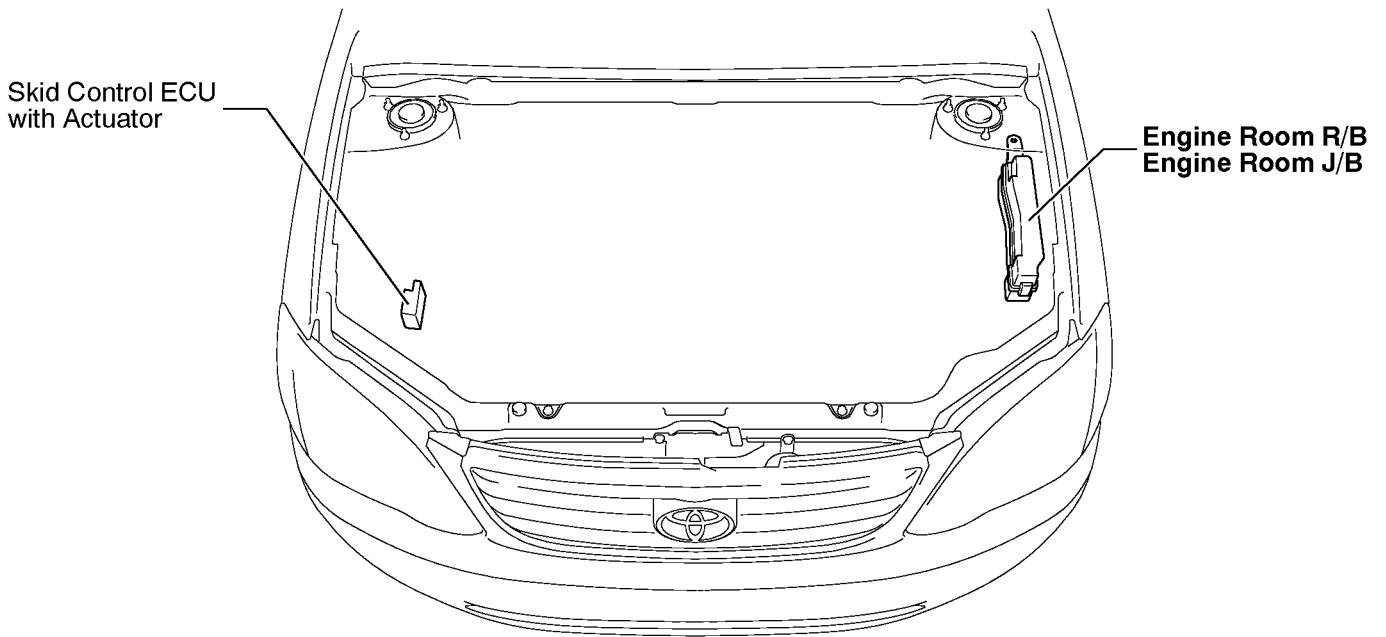
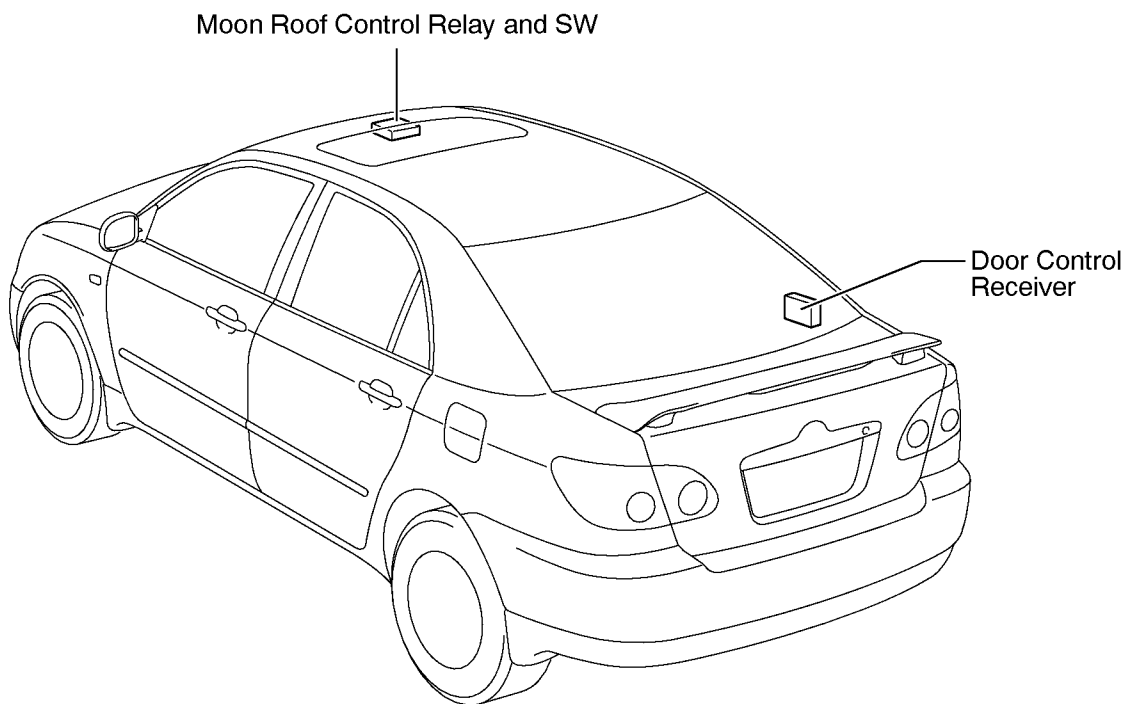


F RELAY LOCATIONS

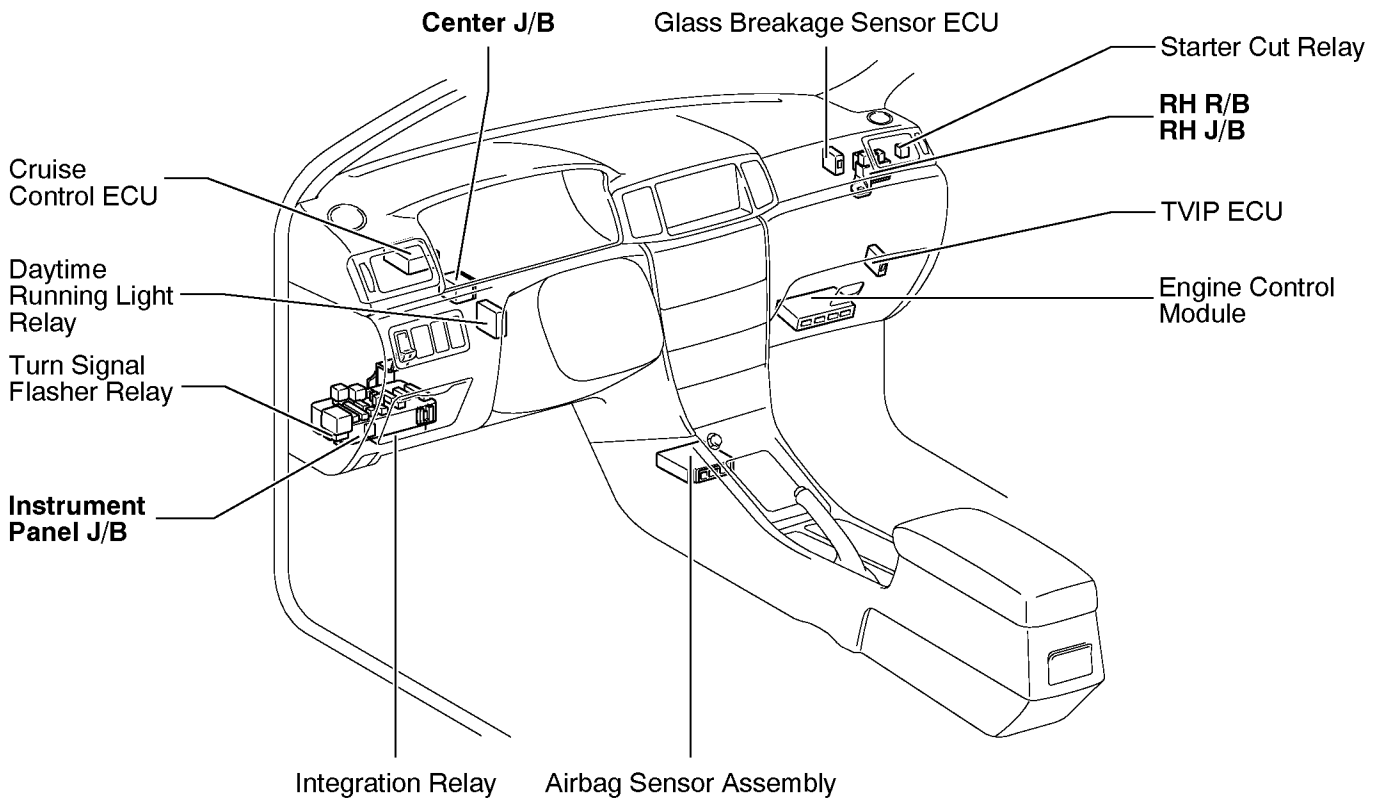
[Engine Compartment]



[Body]



[Instrument Panel]

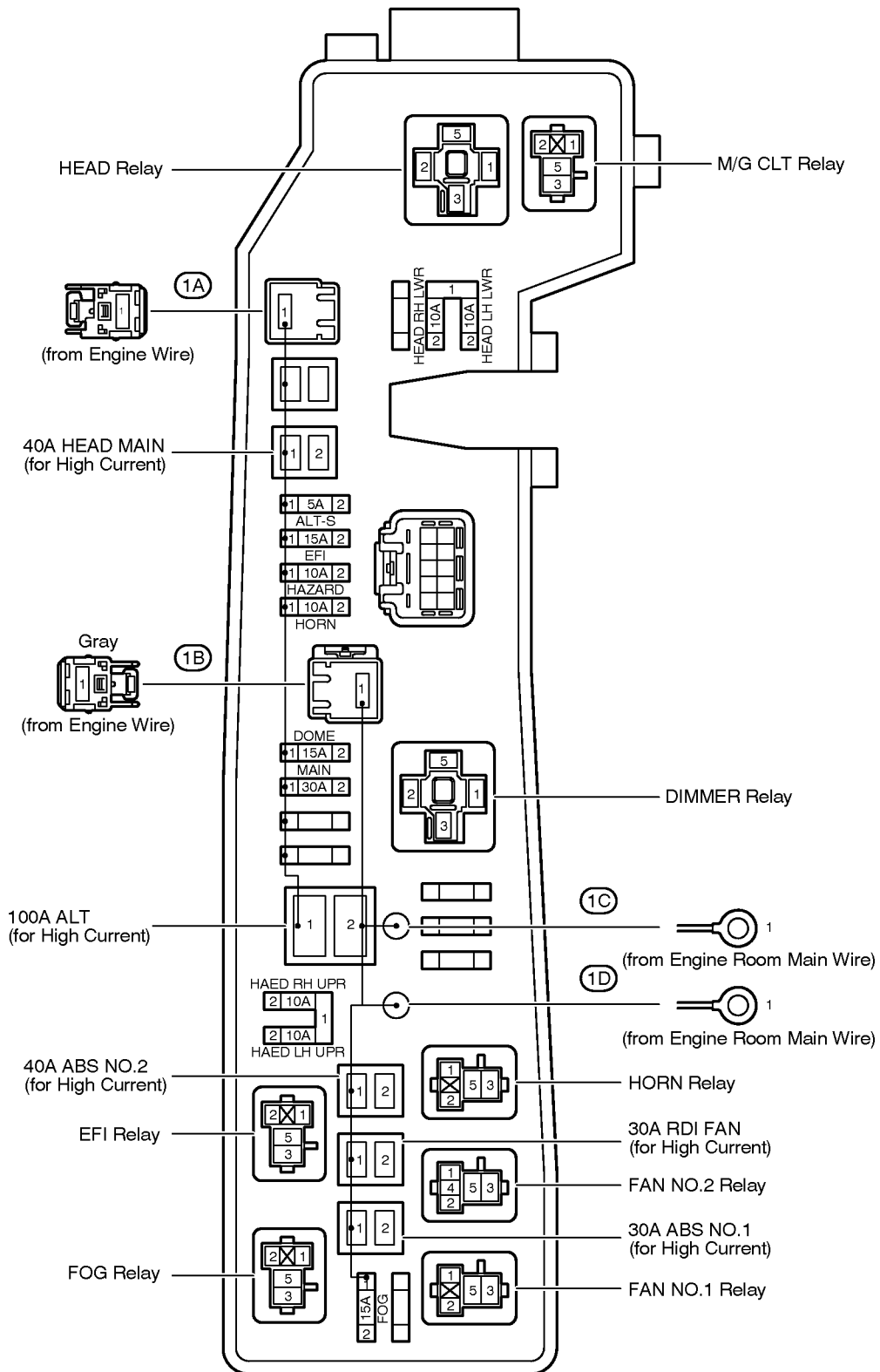


F RELAY LOCATIONS

① : Engine Room R/B

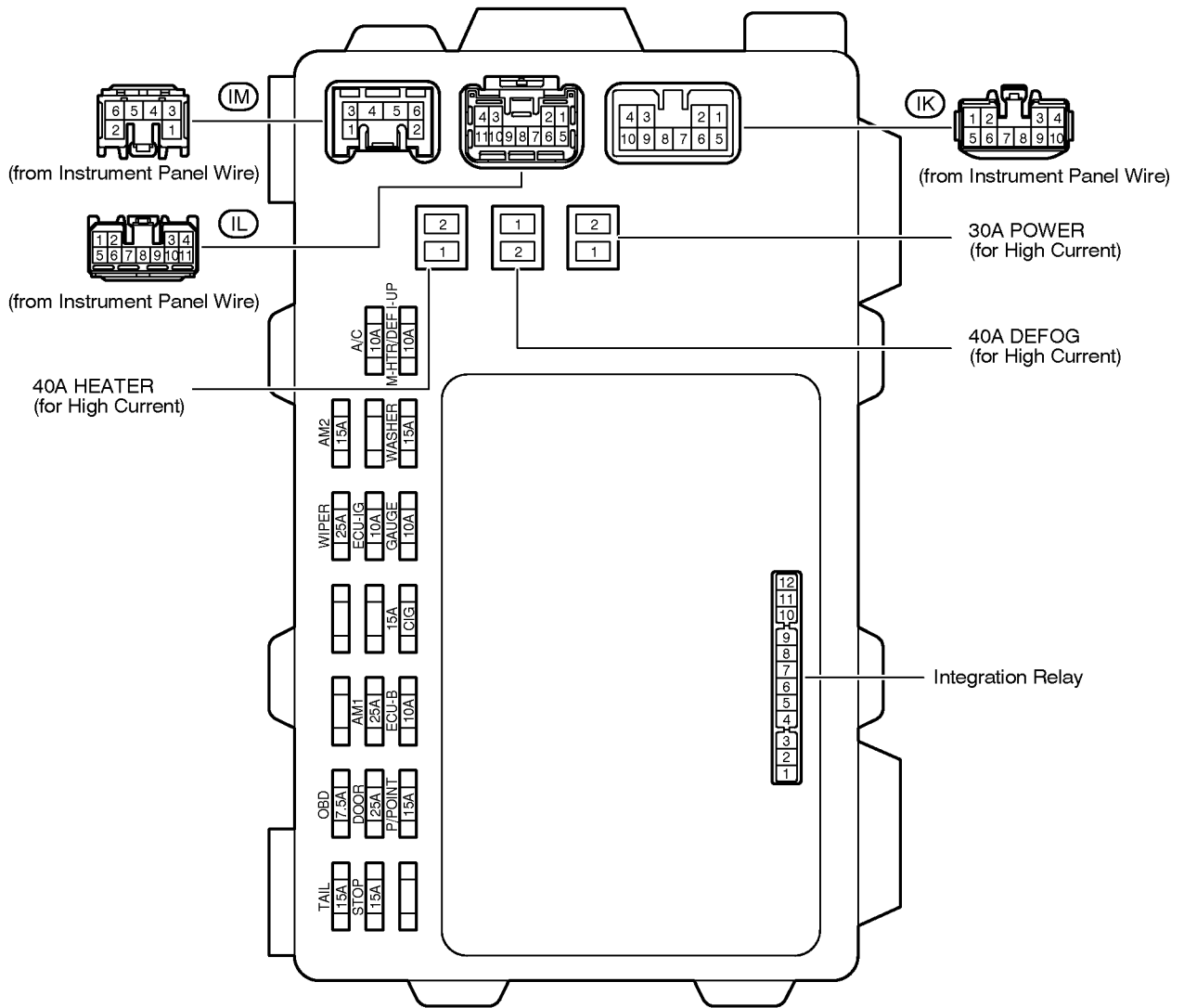
○ : Engine Room J/B

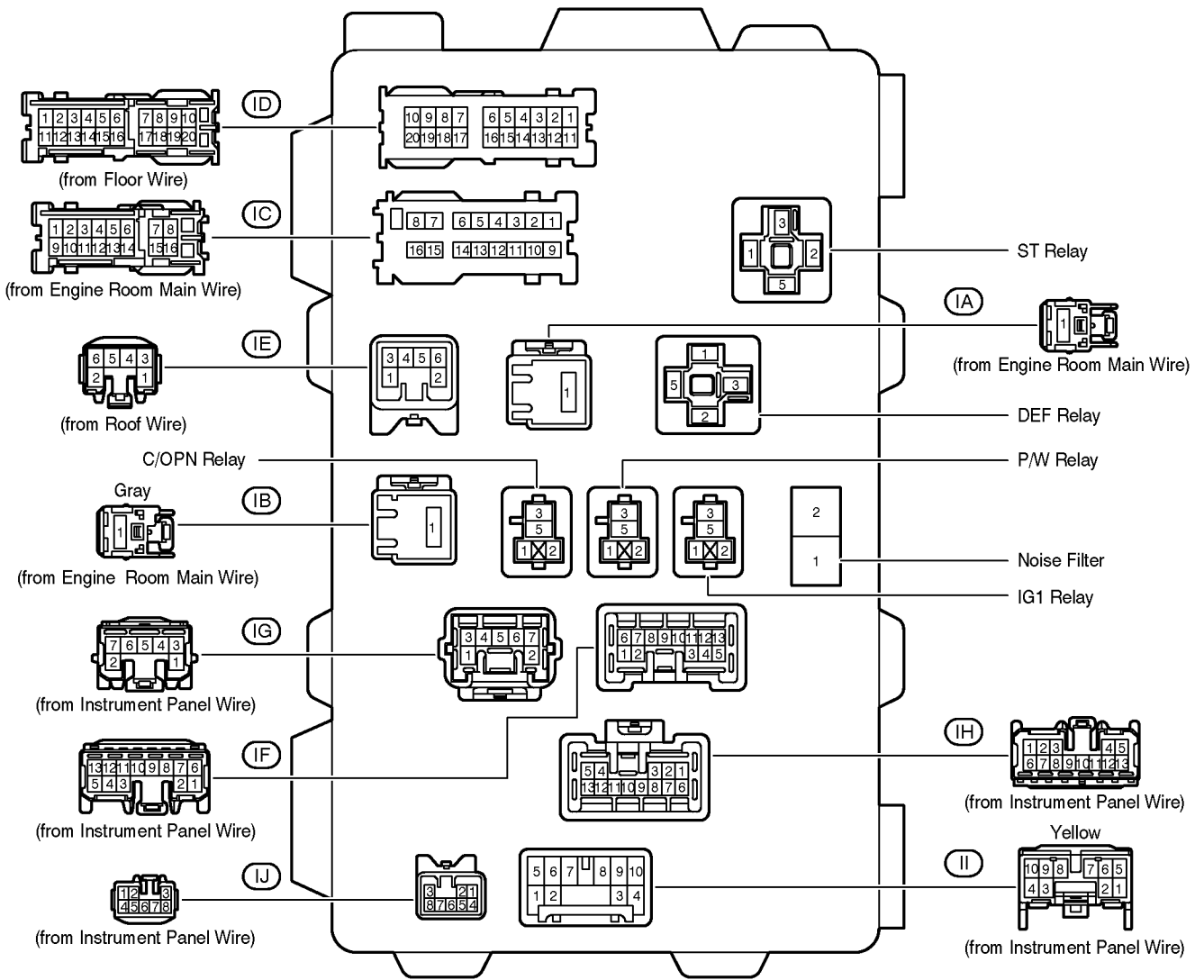
Engine Compartment Left (See Page 20)



F RELAY LOCATIONS

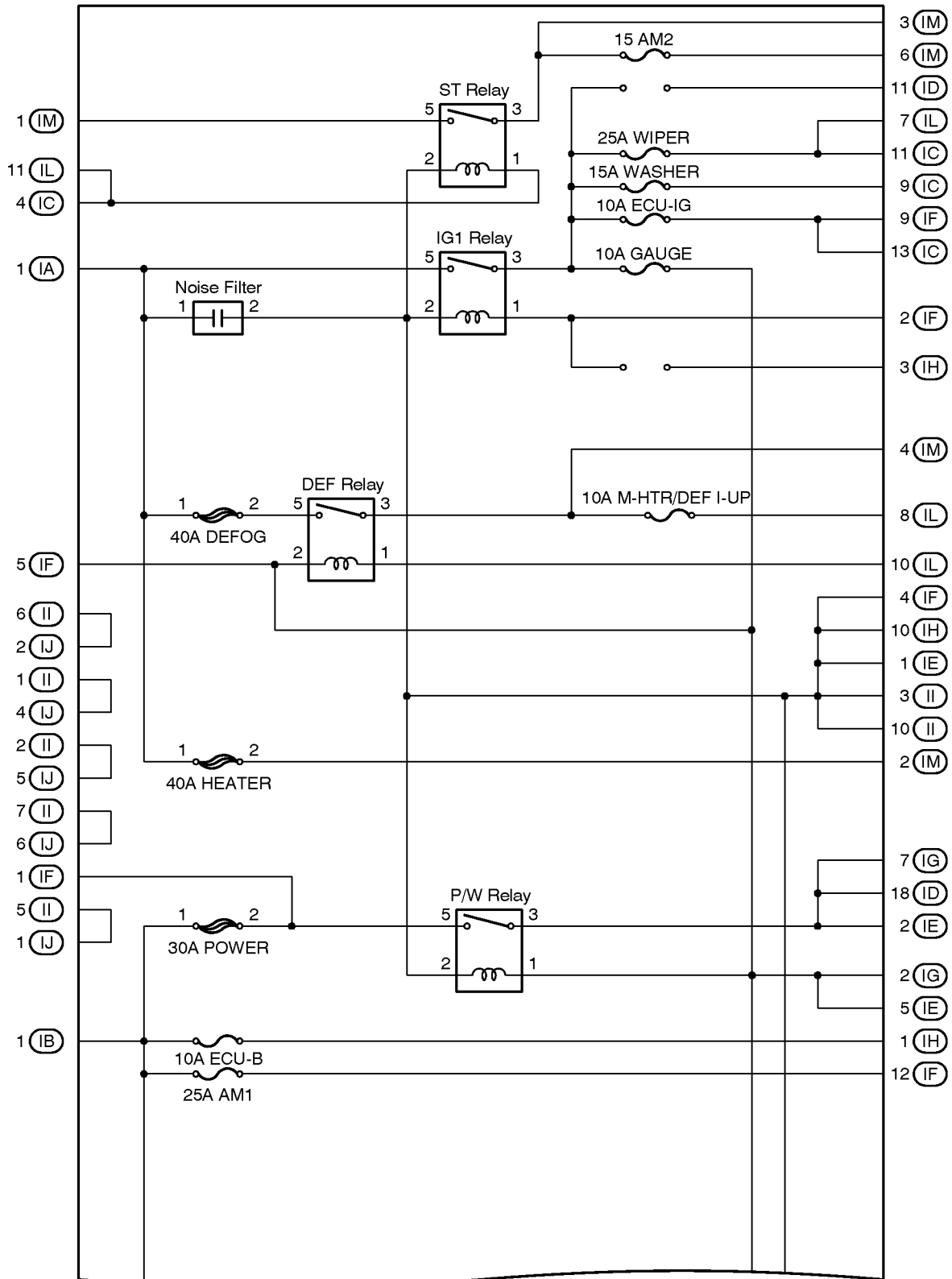
○ : Instrument Panel J/B Lower Finish Panel (See Page 21)





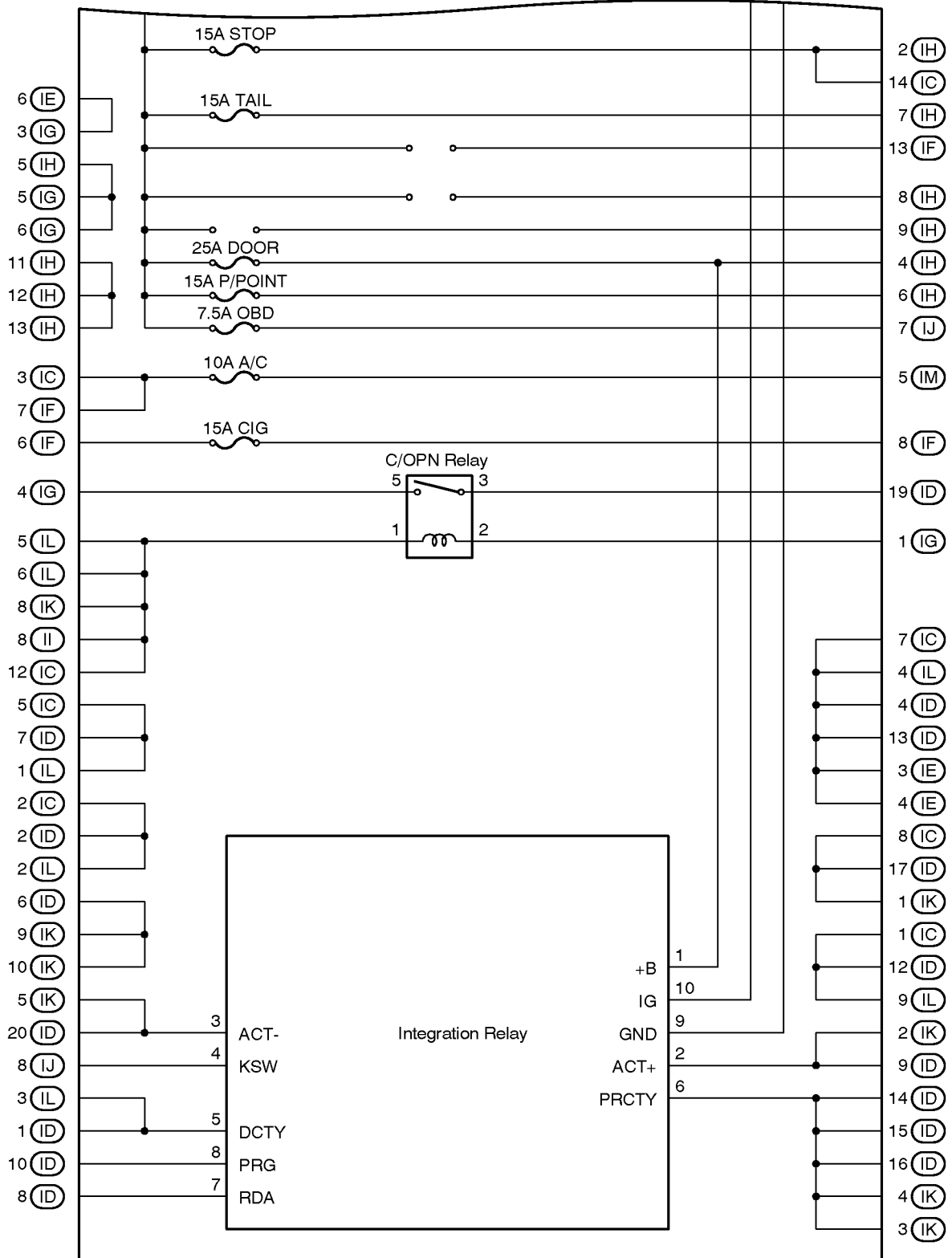
F RELAY LOCATIONS

[Instrument Panel J/B Inner Circuit]



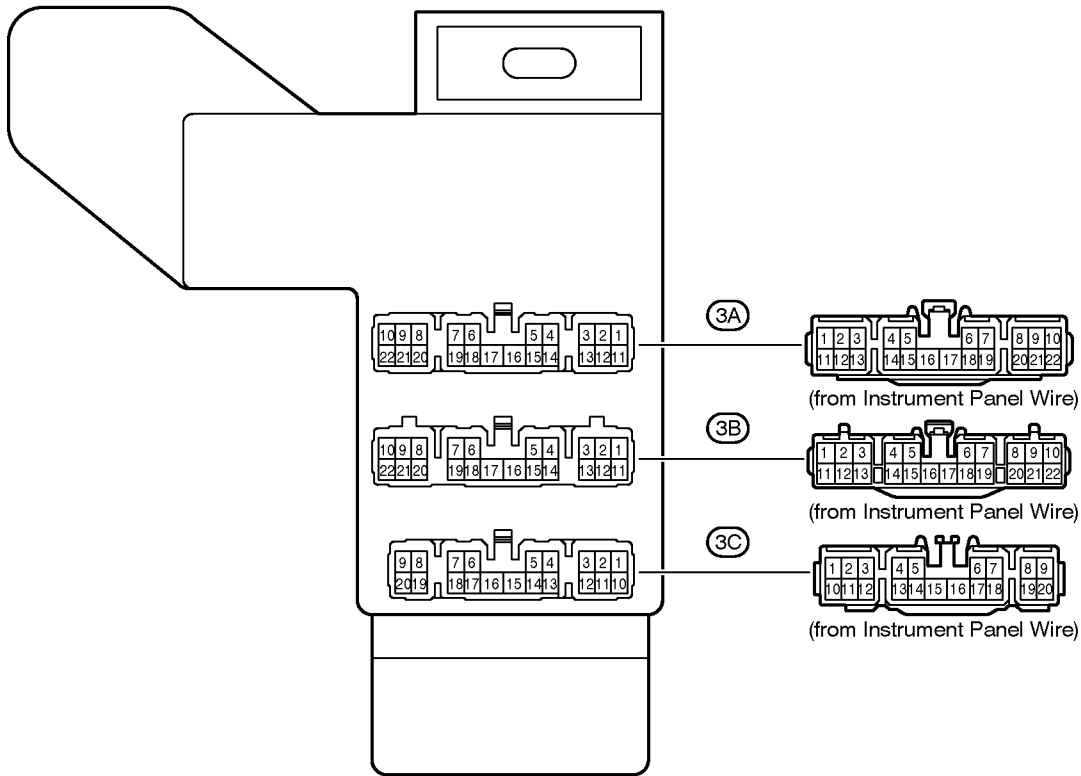
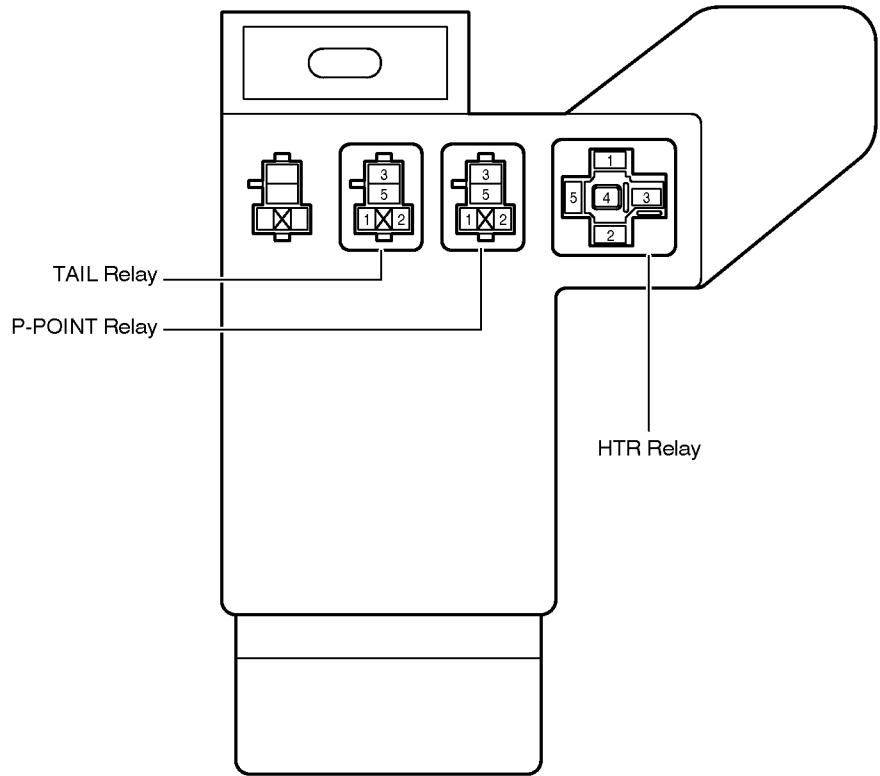
(Cont. Next Page)

(Cont'd)

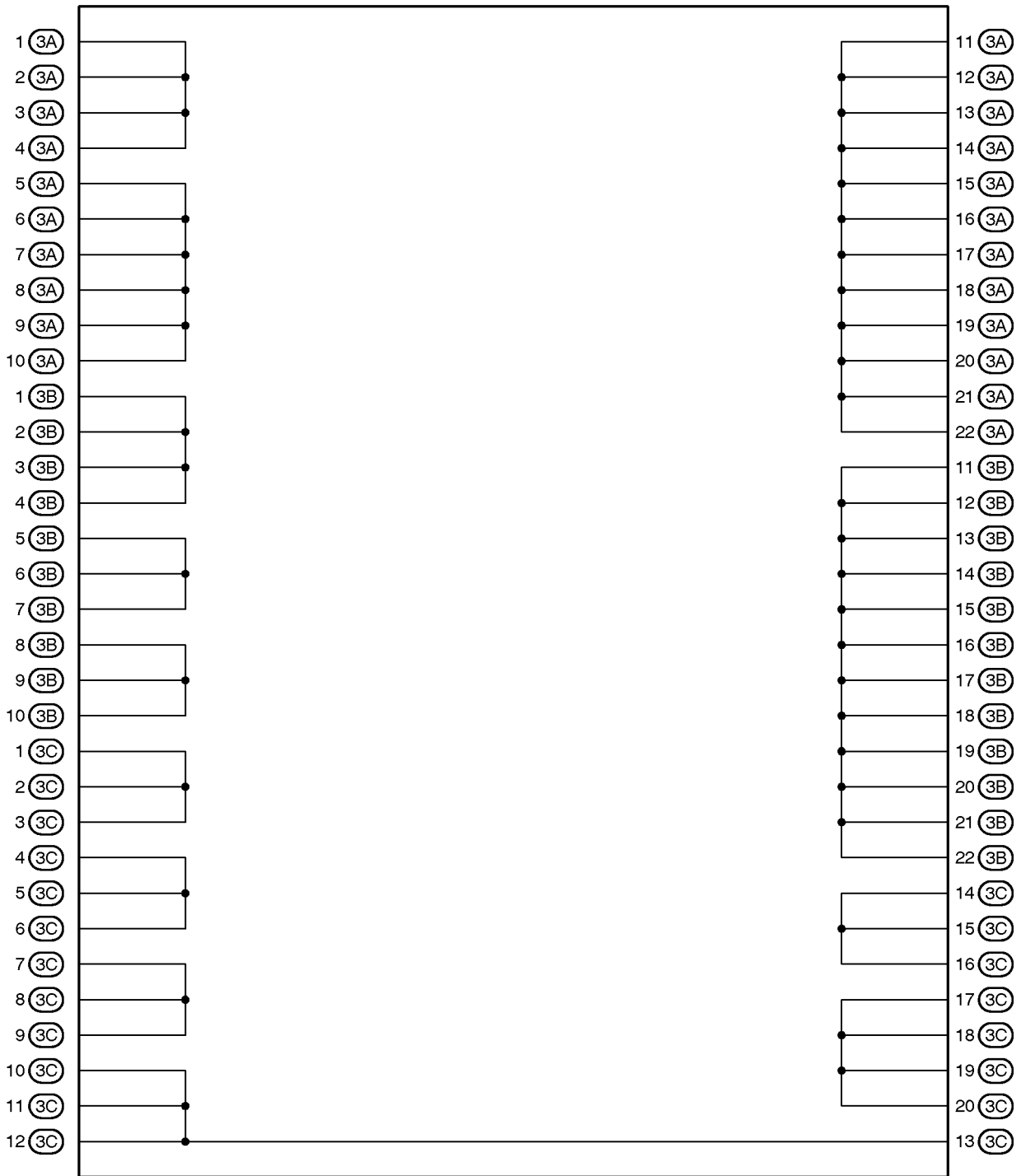


F RELAY LOCATIONS

③ : RH R/B	Right Side of the Instrument Panel Reinforcement (See Page 21)
○ : RH J/B	

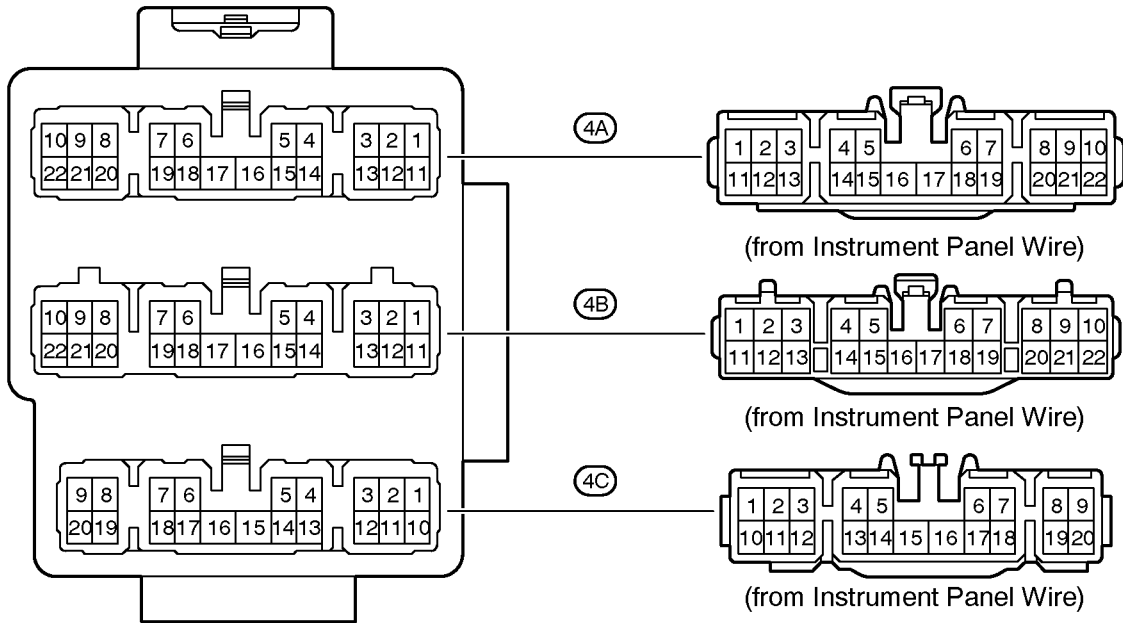


[RH J/B Inner Circuit]



F RELAY LOCATIONS

○ : Center J/B Behind the Combination Meter (See Page 21)



[Center J/B Inner Circuit]

