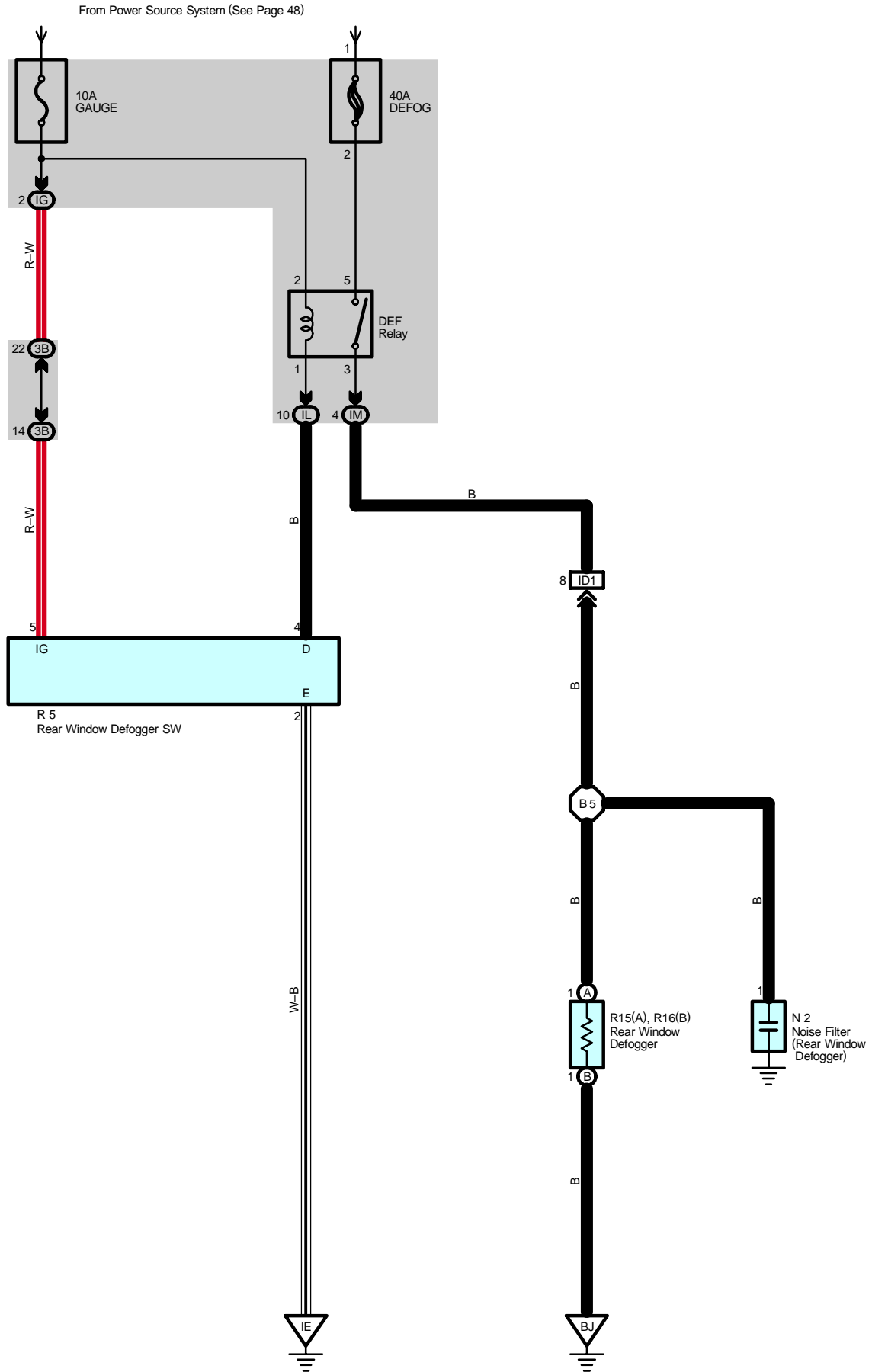


# Rear Window Defogger



**Service Hints****DEF Relay**

5-3 : Closed with the ignition SW at ON position and the rear window defogger SW on

 : **Parts Location**

Code	See Page	Code	See Page	Code	See Page
N2	37	R15	A	37	
R5	35	R16	B	37	

 : **Junction Block and Wire Harness Connector**

Code	See Page	Junction Block and Wire Harness (Connector Location)
IG	25	Instrument Panel Wire and Instrument Panel J/B (Lower Finish Panel)
IL	24	
IM		
3B	28	Instrument Panel Wire and RH J/B (Right Side of the Instrument Panel Reinforcement)

 : **Connector Joining Wire Harness and Wire Harness**

Code	See Page	Joining Wire Harness and Wire Harness (Connector Location)
ID1	42	Instrument Panel Wire and Floor Wire (Left Kick Panel)

 : **Ground Points**

Code	See Page	Ground Points Location
IE	40	Behind the Combination Meter
BJ	44	Under the Right Quarter Pillar

 : **Splice Points**

Code	See Page	Wire Harness with Splice Points	Code	See Page	Wire Harness with Splice Points
B5	44	Floor Wire			