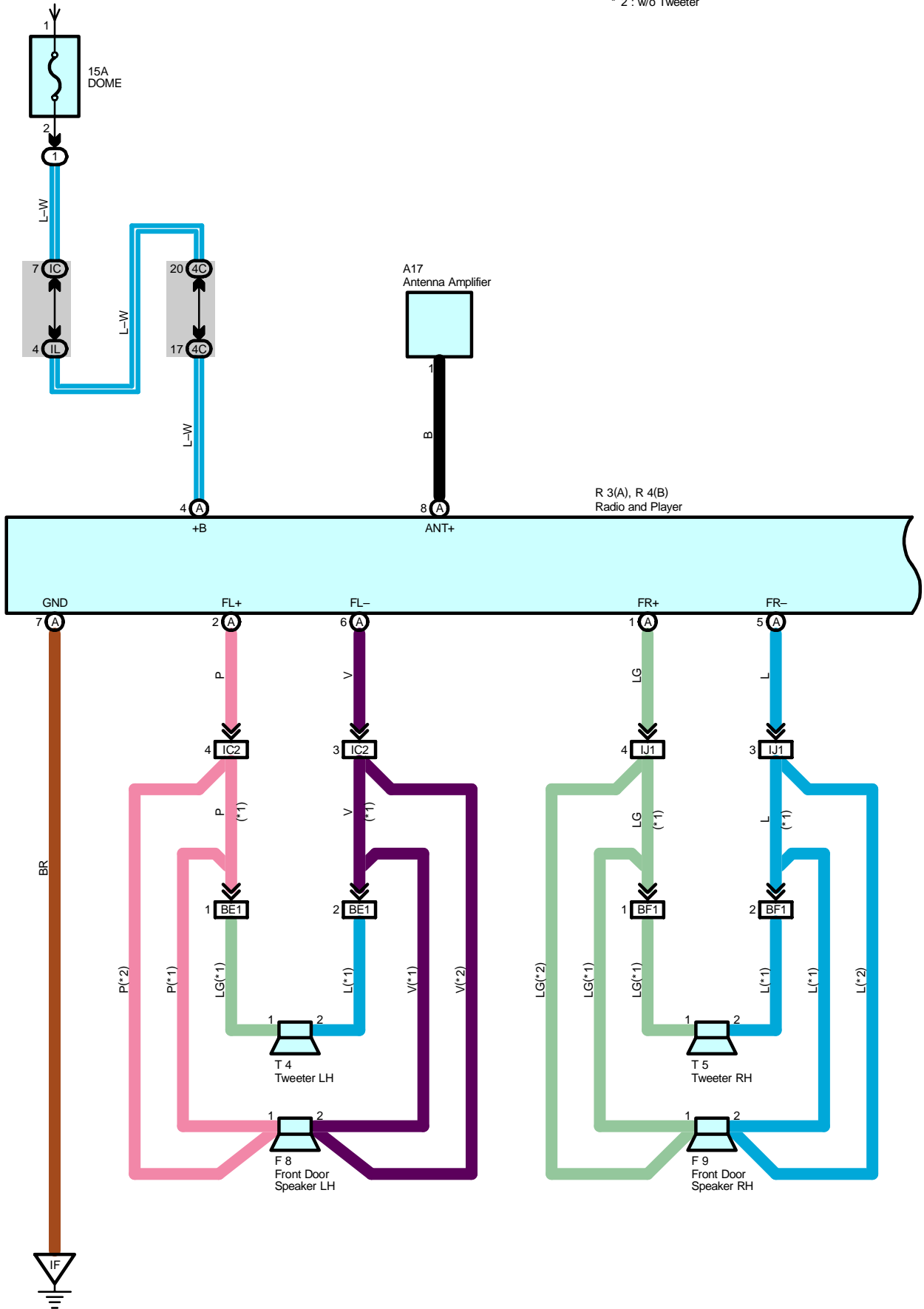


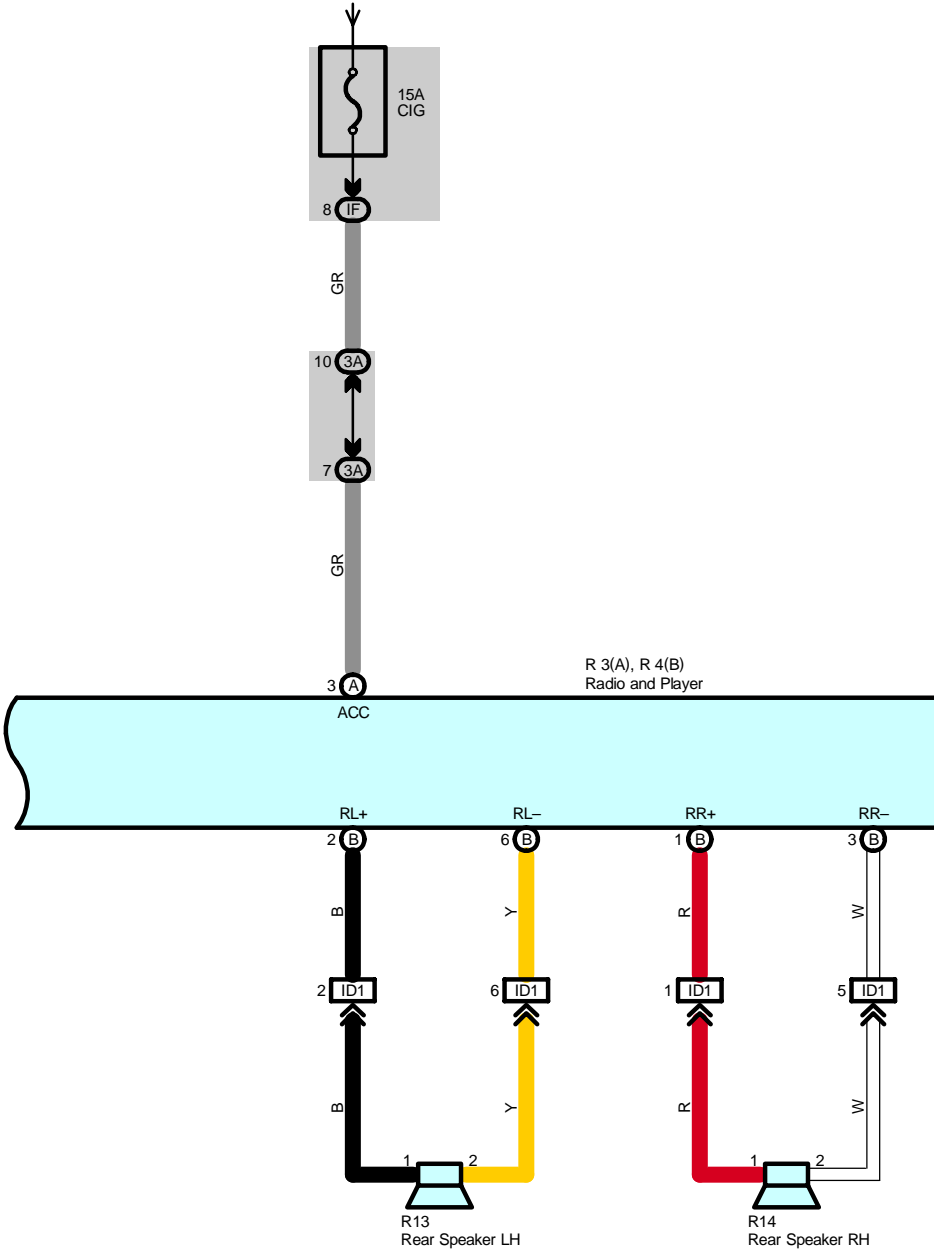
Radio and Player

From Power Source System (See Page 48)

- * 1 : w/ Tweeter
- * 2 : w/o Tweeter



From Power Source System (See Page 48)



Radio and Player

Service Hints

R3 (A) Radio and Player

- (A) 4—Ground : Always approx. 12 volts
- (A) 3—Ground : Approx. 12 volts with the ignition SW at ACC or ON position
- (A) 7—Ground : Always continuity

○ : Parts Location

Code	See Page	Code	See Page	Code	See Page
A17	34	R3	A 35	R14	37
F8	36	R4	B 35	T4	37
F9	36	R13	37	T5	37

○ : Relay Blocks

Code	See Page	Relay Blocks (Relay Block Location)
1	22	Engine Room R/B (Engine Compartment Left)

○ : Junction Block and Wire Harness Connector

Code	See Page	Junction Block and Wire Harness (Connector Location)
IC	25	Engine Room Main Wire and Instrument Panel J/B (Lower Finish Panel)
IF	25	Instrument Panel Wire and Instrument Panel J/B (Lower Finish Panel)
IL	24	
3A	28	Instrument Panel Wire and RH J/B (Right Side of the Instrument Panel Reinforcement)
4C	30	Instrument Panel Wire and Center J/B (Behind the Combination Meter)

□ : Connector Joining Wire Harness and Wire Harness

Code	See Page	Joining Wire Harness and Wire Harness (Connector Location)
IC2	40	Front Door LH Wire and Instrument Panel Wire (Left Kick Panel)
ID1	42	Instrument Panel Wire and Floor Wire (Left Kick Panel)
IJ1	42	Front Door RH Wire and Instrument Panel Wire (Right Kick Panel)
BE1	44	Speaker Tweeter LH Wire and Front Door LH Wire (Inside of the Front Door LH)
BF1	44	Speaker Tweeter RH Wire and Front Door RH Wire (Inside of the Front Door RH)

▽ : Ground Points

Code	See Page	Ground Points Location
IF	40	Behind the Combination Meter

