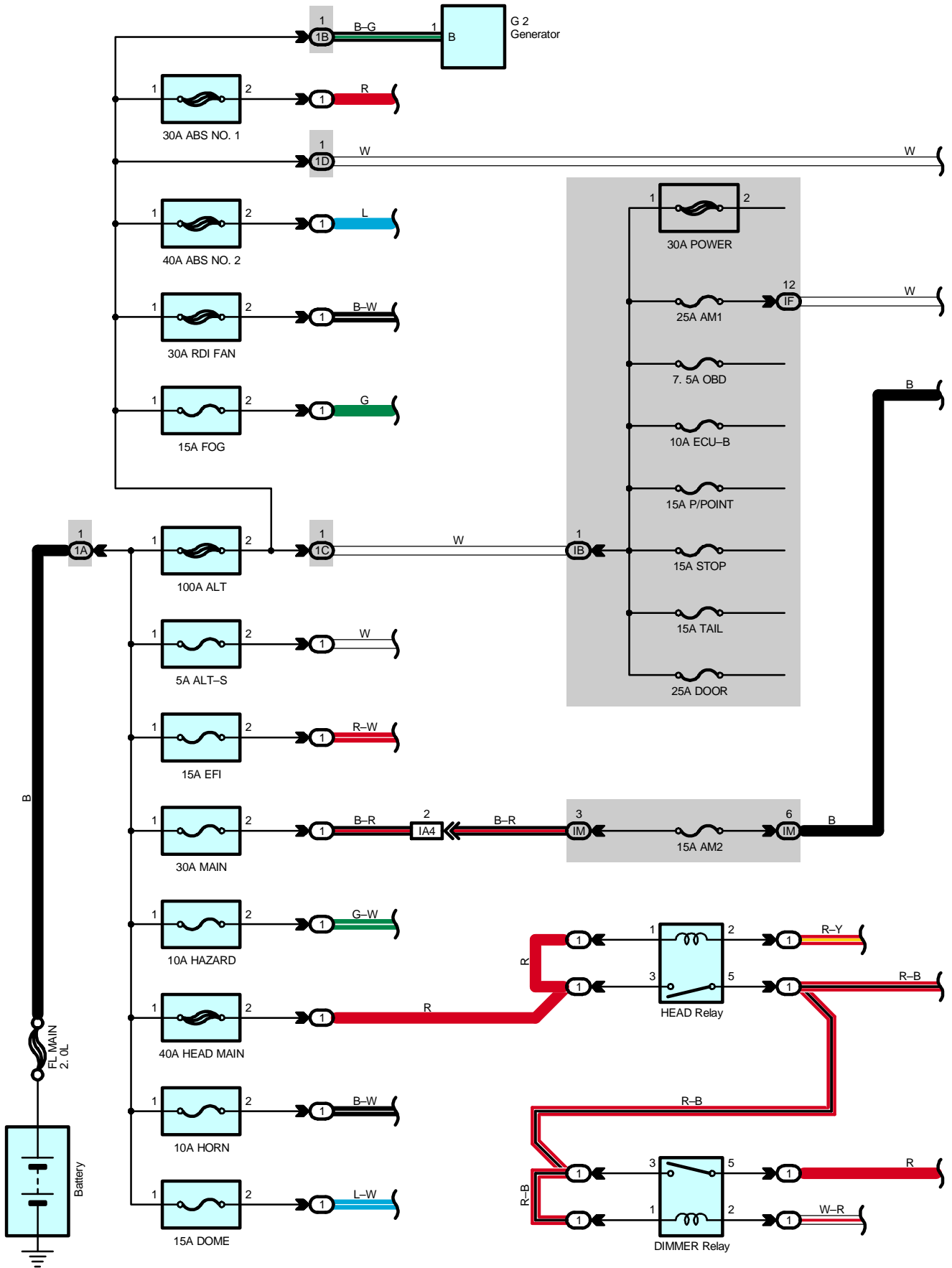
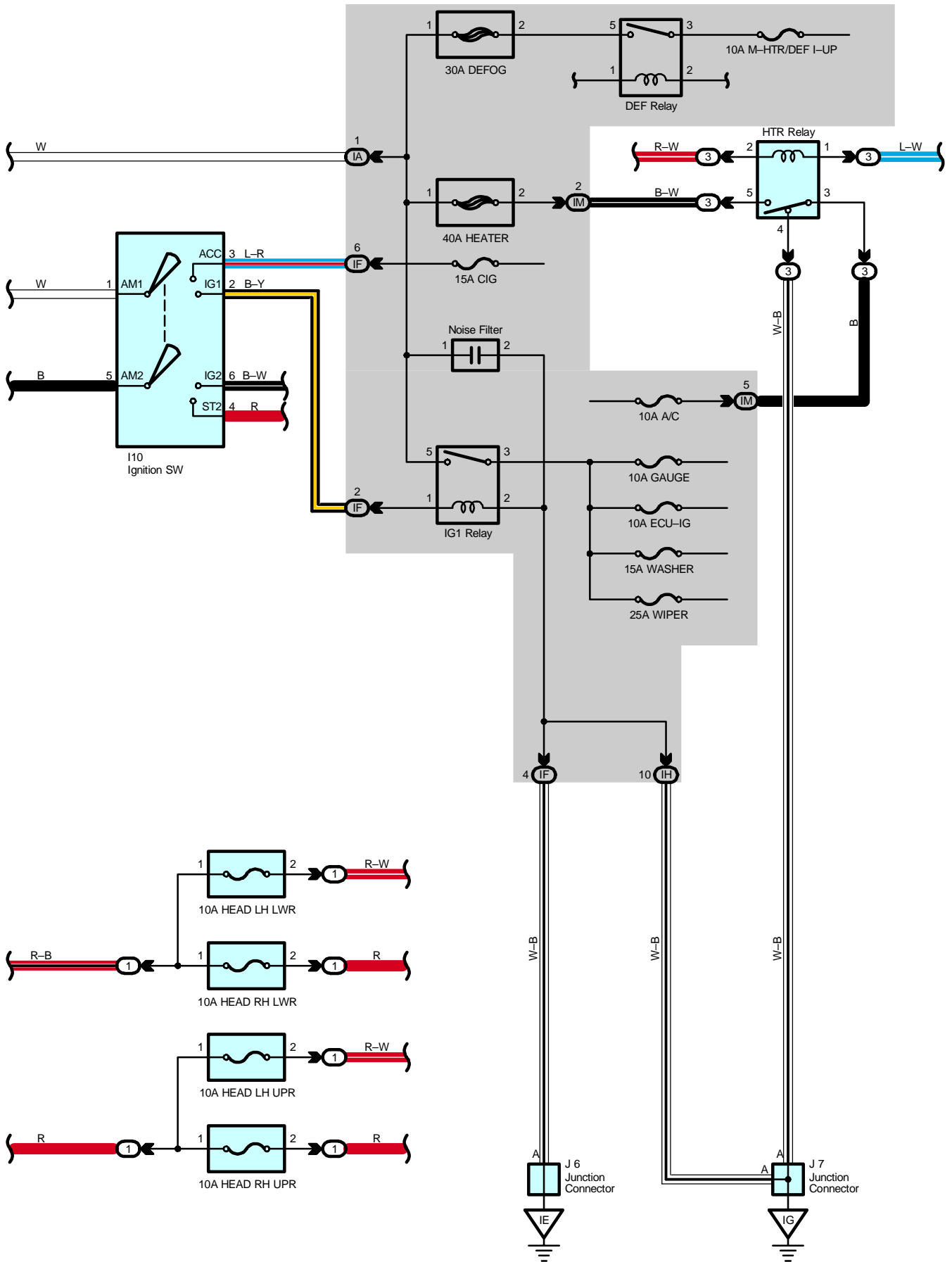


Power Source





Power Source

Service Hints

HEAD Relay

- 3-5 : Closed with the light control SW at Head position or the dimmer SW at Flash position
- : Closed with the engine running and the parking brake lever is released (Parking brake SW off)

I10 Ignition SW

- 1-3 : Closed with the ignition SW at ACC or ON position
- 1-2 : Closed with the ignition SW at ON or ST position
- 5-6 : Closed with the ignition SW at ON or ST position
- 5-4 : Closed with the ignition SW at ST position

○ : Parts Location

Code	See Page	Code	See Page	Code	See Page
G2	32	J6	35		
I10	35	J7	35		

○ : Relay Blocks

Code	See Page	Relay Blocks (Relay Block Location)
1	22	Engine Room R/B (Engine Compartment Left)
3	28	RH R/B (Right Side of the Instrument Panel Reinforcement)

○ : Junction Block and Wire Harness Connector

Code	See Page	Junction Block and Wire Harness (Connector Location)
IA	25	Engine Room Main Wire and Instrument Panel J/B (Lower Finish Panel)
IB		
IF	25	Instrument Panel Wire and Instrument Panel J/B (Lower Finish Panel)
IH		
IM		
1A	22	Engine Wire and Engine Room J/B (Engine Compartment Left)
1B		
1C	22	Engine Room Main Wire and Engine Room J/B (Engine Compartment Left)
1D		

□ : Connector Joining Wire Harness and Wire Harness

Code	See Page	Joining Wire Harness and Wire Harness (Connector Location)
IA4	40	Engine Room Main Wire and Instrument Panel Wire (Left Side of the Instrument Panel Reinforcement)

▽ : Ground Points

Code	See Page	Ground Points Location
IE	40	Behind the Combination Meter
IG	40	Right Kick Panel

