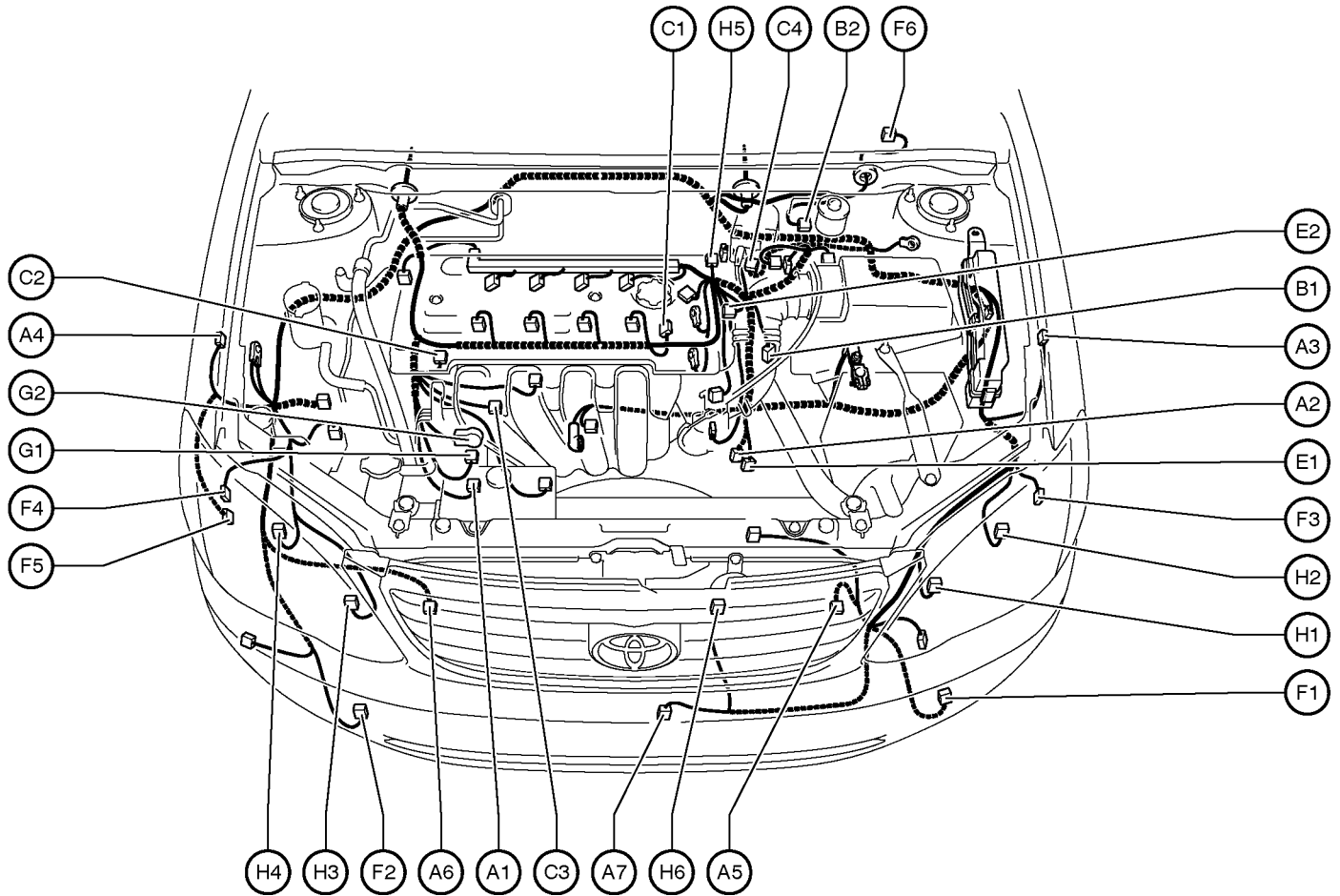


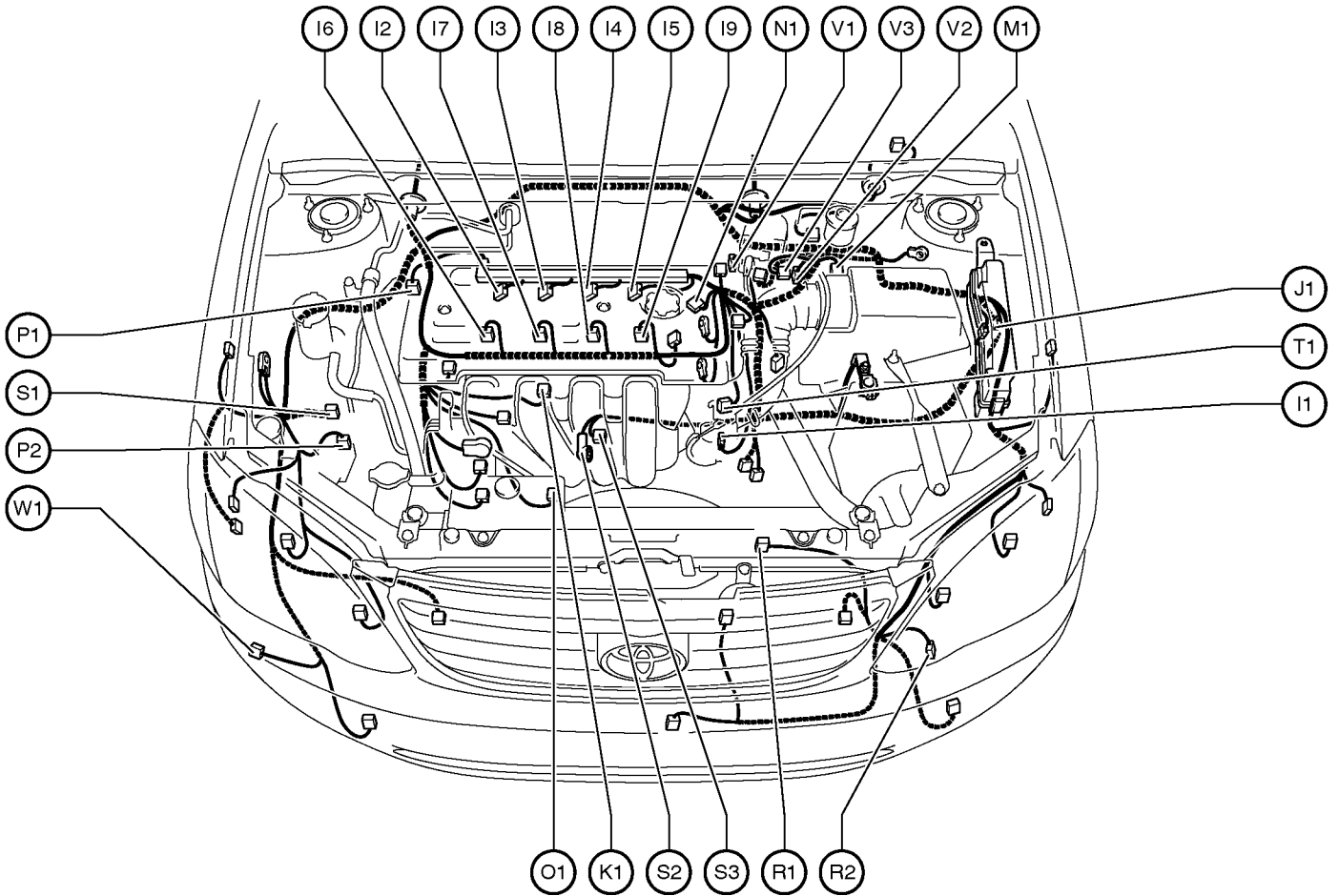
G ELECTRICAL WIRING ROUTING

Position of Parts in Engine Compartment



- | | |
|---|--|
| A 1 A/C Magnetic Clutch | F 1 Front Fog Light LH |
| A 2 A/T Shift Lever Position SW
Back-Up Light SW
Park/Neutral Position SW | F 2 Front Fog Light RH |
| A 3 ABS Speed Sensor Front LH | F 3 Front Parking Light LH
Front Turn Signal Light LH |
| A 4 ABS Speed Sensor Front RH | F 4 Front Parking Light RH
Front Turn Signal Light RH |
| A 5 Airbag Sensor Front LH | F 5 Front Washer Motor |
| A 6 Airbag Sensor Front RH | F 6 Front Wiper Motor |
| A 7 Ambient Temp. Sensor | |
| | G 1 Generator |
| B 1 Back-Up Light SW | G 2 Generator |
| B 2 Brake Fluid Level Warning SW | |
| C 1 Camshaft Position Sensor | H 1 Headlight LH (High) |
| C 2 Camshaft Timing Oil Control Valve (VVT) | H 2 Headlight LH (Low) |
| C 3 Crankshaft Position Sensor | H 3 Headlight RH (High) |
| C 4 Cruise Control Actuator | H 4 Headlight RH (Low) |
| | H 5 Heated Oxygen Sensor (Bank 1 Sensor 1) |
| E 1 Electronically Controlled Transmission Solenoid | H 6 Horn |
| E 2 Engine Coolant Temp. Sensor | |

Position of Parts in Engine Compartment



I 1 Idle Air Control Valve
 I 2 Ignition Coil and Igniter No.1
 I 3 Ignition Coil and Igniter No.2
 I 4 Ignition Coil and Igniter No.3
 I 5 Ignition Coil and Igniter No.4
 I 6 Injector No.1
 I 7 Injector No.2
 I 8 Injector No.3
 I 9 Injector No.4

J 1 Junction Connector

K 1 Knock Sensor

M 1 Mass Air Flow Meter

N 1 Noise Filter (Ignition)

O 1 Oil Pressure SW

P 1 Power Steering Oil Pressure SW

P 2 Pressure SW

R 1 Radiator Fan Motor

R 2 Radiator Fan Resistor

S 1 Skid Control ECU with Actuator

S 2 Starter

S 3 Starter

T 1 Throttle Position Sensor

V 1 Vehicle Speed Sensor (Combination Meter)

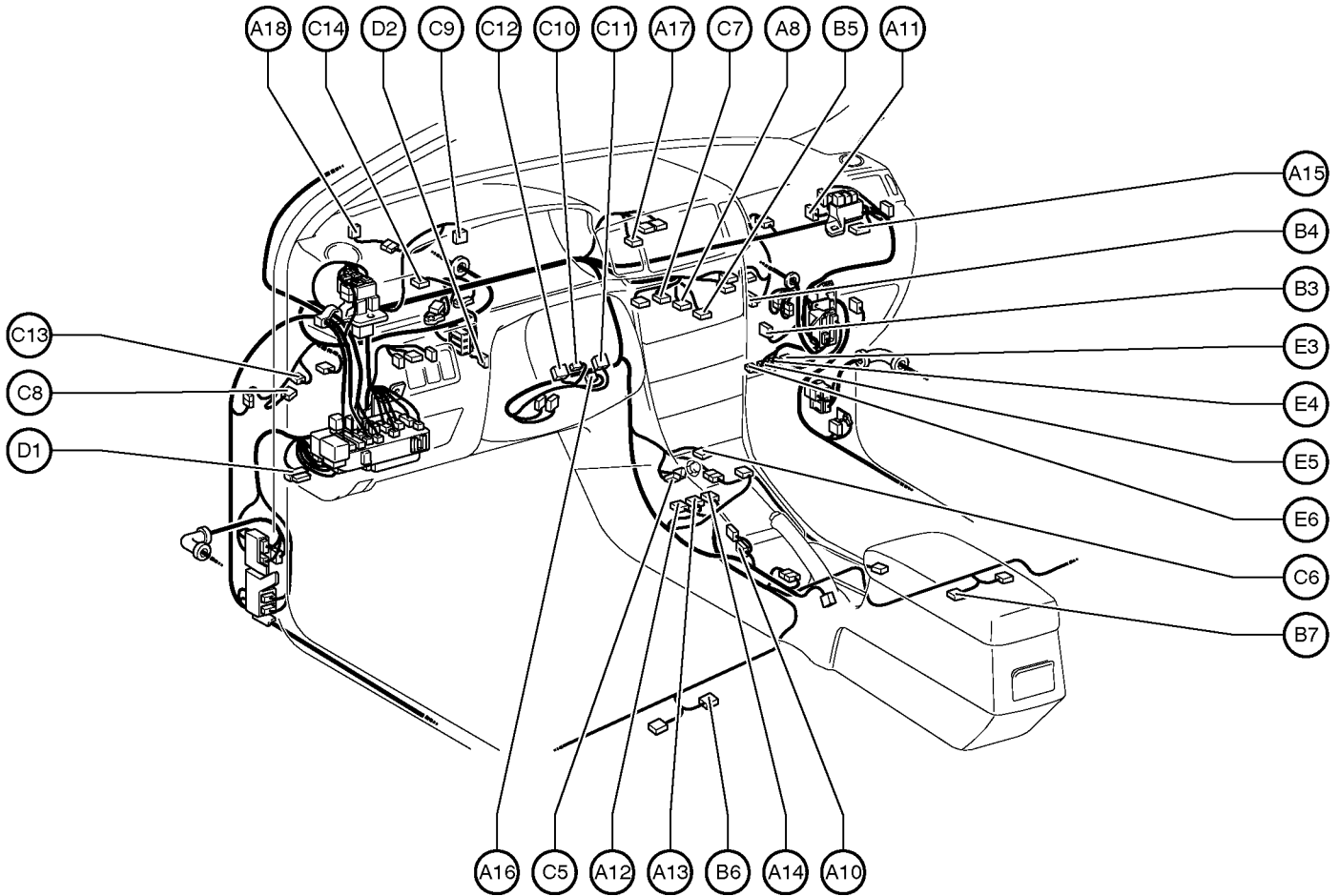
V 2 VSV (Canister Closed Valve)

V 3 VSV (EVAP)

W 1 Washer Level Sensor

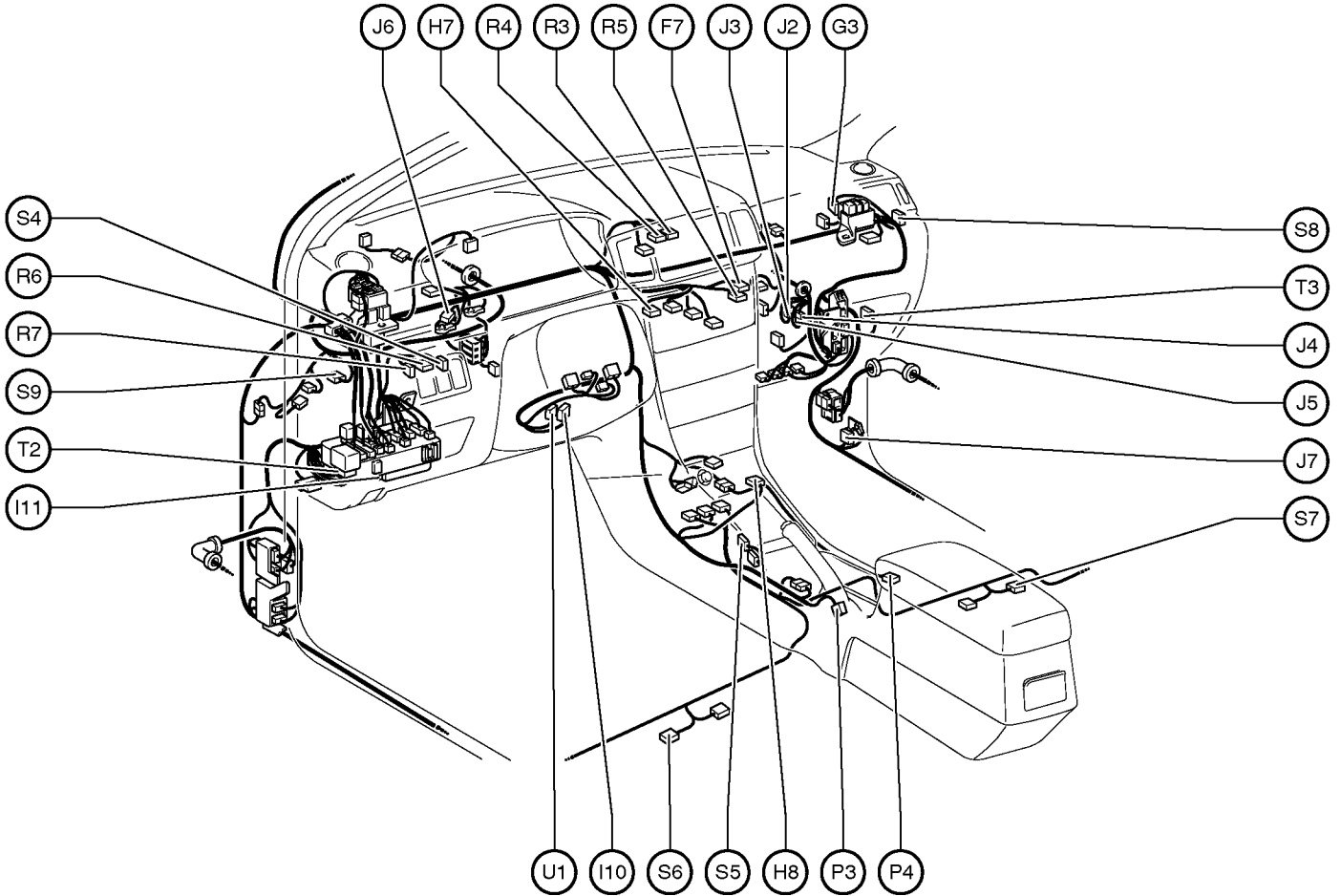
G ELECTRICAL WIRING ROUTING

Position of Parts in Instrument Panel



- | | |
|---|---|
| A 8 A/C SW
Air Inlet Control SW
Defroster Mode Detection SW | C 5 Cigarette Lighter
Power Outlet (Front) |
| A 10 A/T Shift Lever Illumination
O/D Main SW | C 6 Cigarette Lighter Illumination |
| A 11 Air Inlet Control Servo Motor | C 7 Clock |
| A 12 Airbag Sensor Assembly | C 8 Clutch Start SW |
| A 13 Airbag Sensor Assembly | C 9 Combination Meter |
| A 14 Airbag Sensor Assembly | C 10 Combination SW |
| A 15 Airbag Squib (Front Passenger Airbag Assembly) | C 11 Combination SW |
| A 16 Airbag Squib (Steering Wheel Pad) | C 12 Combination SW |
| A 17 Antenna Amplifier | C 13 Cruise Control Clutch SW |
| A 18 Automatic Light Control Sensor | C 14 Cruise Control ECU |
| B 3 Blower Motor | D 1 Data Link Connector 3 |
| B 4 Blower Resistor | D 2 Daytime Running Light Relay |
| B 5 Blower SW | E 3 Engine Control Module |
| B 6 Buckle SW LH
Seat Position Sensor | E 4 Engine Control Module |
| B 7 Buckle SW RH
Occupant Detection Sensor | E 5 Engine Control Module |
| | E 6 Engine Control Module |

Position of Parts in Instrument Panel



F 7 Front Passenger Seat Belt Warning Light

G 3 Glass Breakage Sensor ECU

H 7 Hazard SW

H 8 Heated Oxygen Sensor (Bank 1 Sensor 2)

I 10 Ignition SW

I 11 Integration Relay

J 2 Junction Connector

J 3 Junction Connector

J 4 Junction Connector

J 5 Junction Connector

J 6 Junction Connector

J 7 Junction Connector

P 3 Parking Brake SW

P 4 Power Outlet (Rear)

R 3 Radio and Player

R 4 Radio and Player

R 5 Rear Window Defogger SW

R 6 Remote Control Mirror SW

R 7 Rheostat

S 4 Security Indicator

S 5 Shift Lock Control ECU

S 6 Side Airbag Squib LH

S 7 Side Airbag Squib RH

S 8 Starter Cut Relay

S 9 Stop Light SW

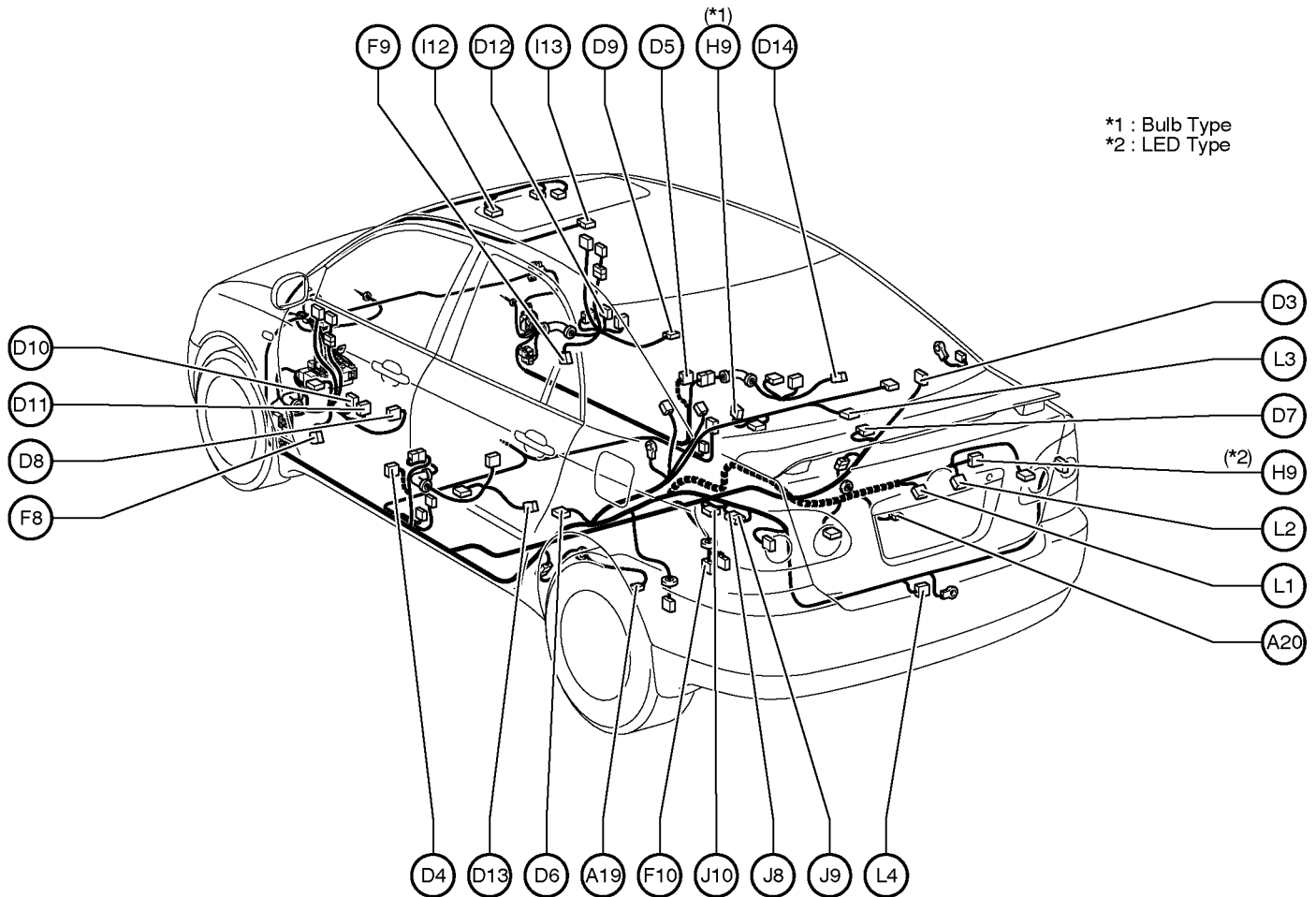
T 2 Turn Signal Flasher Relay

T 3 TVIP ECU

U 1 Unlock Warning SW

G ELECTRICAL WIRING ROUTING

Position of Parts in Body

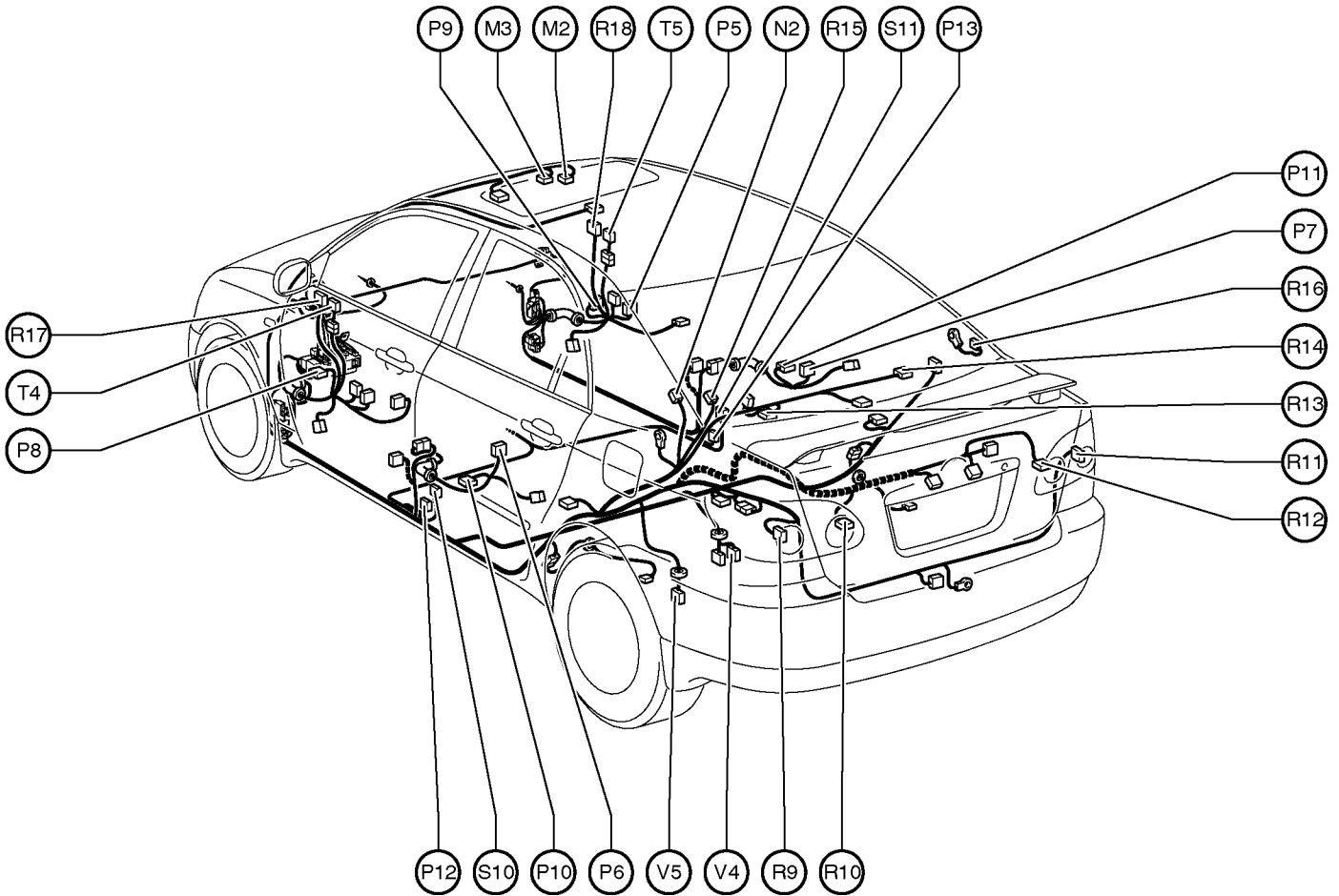


A 19 ABS Speed Sensor Rear LH
A 20 ABS Speed Sensor Rear RH

D 3 Door Control Receiver
D 4 Door Courtesy SW Front LH
D 5 Door Courtesy SW Front RH
D 6 Door Courtesy SW Rear LH
D 7 Door Courtesy SW Rear RH
D 8 Door Key Lock and Unlock SW Front LH
Door Lock Motor Front LH
Door Unlock Detection SW Front LH
D 9 Door Key Lock and Unlock SW Front RH
Door Lock Motor Front RH
Door Unlock Detection SW Front RH
D 10 Door Lock Control SW Front LH
D 11 Door Lock Control SW Front LH
Power Window Master SW
D 12 Door Lock Control SW Front RH
D 13 Door Lock Motor Rear LH
D 14 Door Lock Motor Rear RH

F 8 Front Door Speaker LH
F 9 Front Door Speaker RH
F 10 Fuel Pump
Fuel Sender
H 9 High Mounted Stop Light
I 12 Inner Mirror
Personal Light
I 13 Interior Light
J 8 Junction Connector
J 9 Junction Connector
J 10 Junction Connector
L 1 License Plate Light LH
L 2 License Plate Light RH
L 3 Luggage Compartment Light
L 4 Luggage Compartment Light SW

Position of Parts in Body



M 2 Moon Roof Control Relay and SW
Personal Light

M 3 Moon Roof Motor and Limit SW

N 2 Noise Filter (Rear Window Defogger)

P 5 Power Window Control SW Front RH

P 6 Power Window Control SW Rear LH

P 7 Power Window Control SW Rear RH

P 8 Power Window Motor Front LH

P 9 Power Window Motor Front RH

P10 Power Window Motor Rear LH

P11 Power Window Motor Rear RH

P12 Pretensioner LH

P13 Pretensioner RH

R 9 Rear Combination Light LH

R10 Rear Combination Light LH

R11 Rear Combination Light RH

R12 Rear Combination Light RH

R13 Rear Speaker LH

R14 Rear Speaker RH

R15 Rear Window Defogger

R16 Rear Window Defogger

R17 Remote Control Mirror LH

R18 Remote Control Mirror RH

S10 Side Airbag Sensor LH

S11 Side Airbag Sensor RH

T 4 Tweeter LH

T 5 Tweeter RH

V 4 Vapor Pressure Sensor

V 5 VSV (Vapor Pressure Sensor)