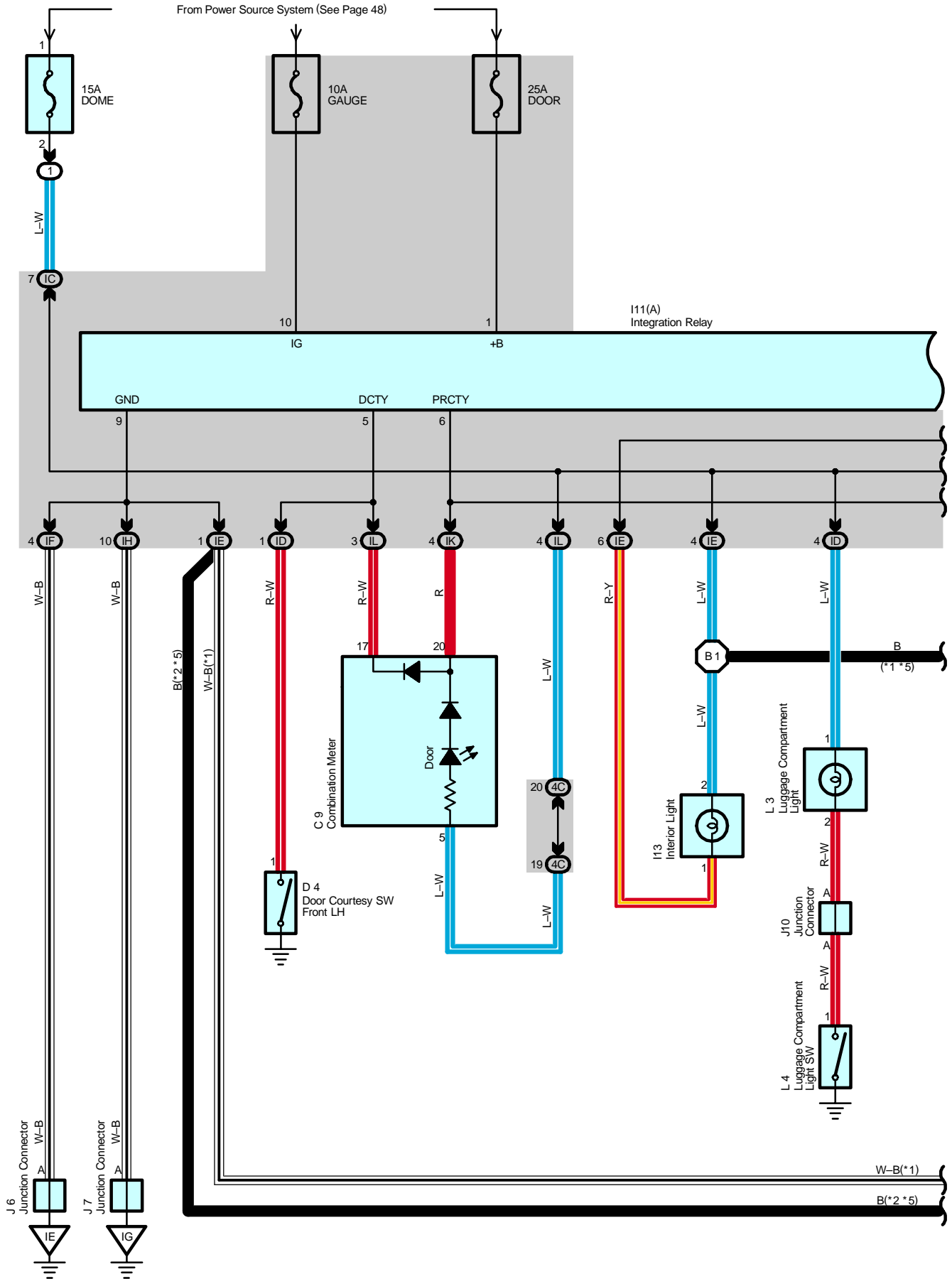
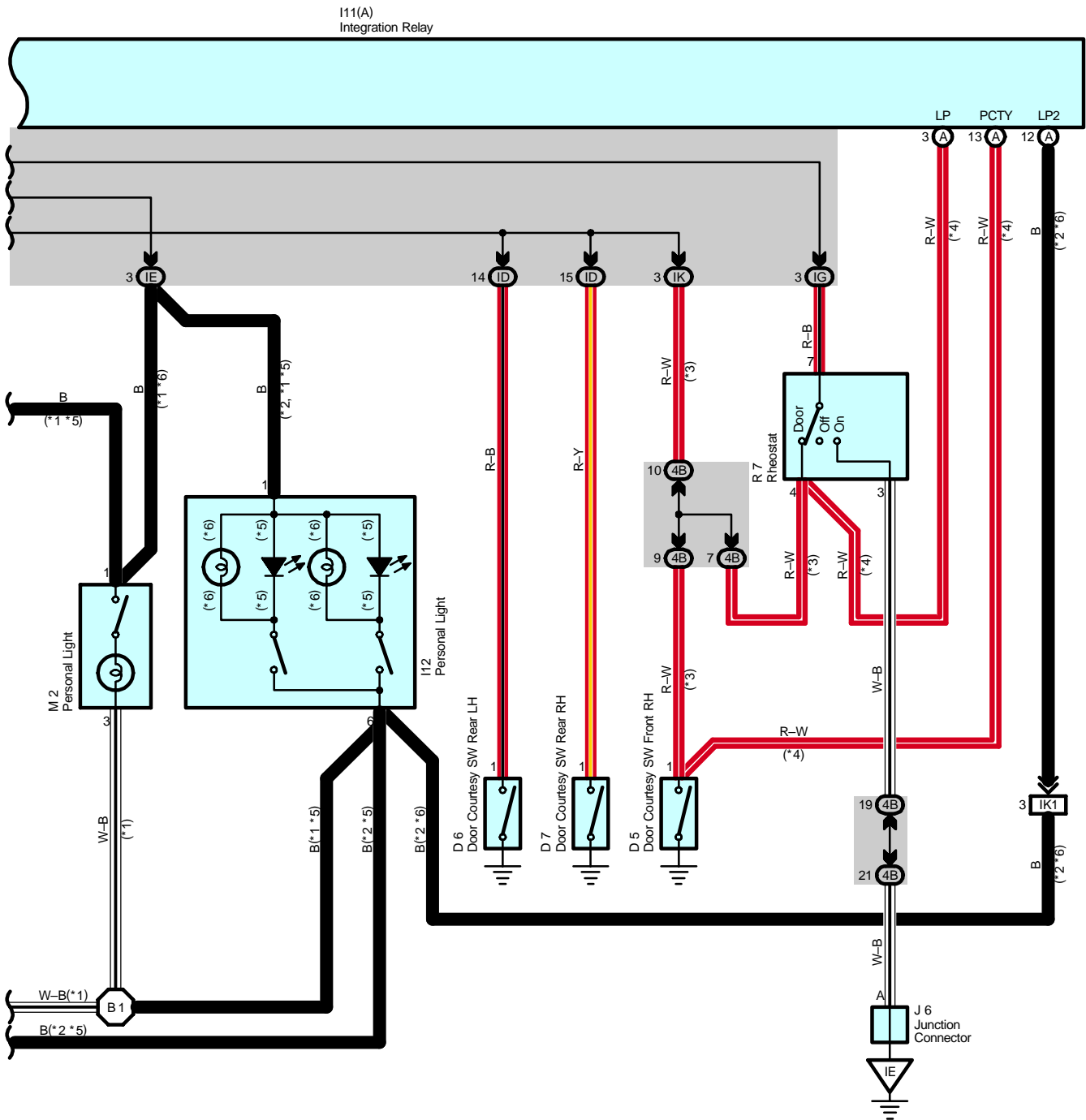


Interior Light



- * 1 : w/ Moon Roof
- * 2 : w/o Moon Roof
- * 3 : w/o Door Lock Control
- * 4 : w/ Door Lock Control
- * 5 : w/ Automatic Glare-Resistant EC Mirror
- * 6 : w/o Automatic Glare-Resistant EC Mirror



Interior Light

Service Hints

D4, D5, D6, D7 Door Courtesy SW Front LH, RH, Rear LH, RH

1-Ground : Closed with the door open

L4 Luggage Compartment Light SW

1-Ground : Closed with the luggage compartment door open

○ : Parts Location

Code	See Page	Code	See Page	Code	See Page
C9	34	I11	A 35	J10	36
D4	36	I12	36	L3	36
D5	36	I13	36	L4	36
D6	36	J6	35	M2	37
D7	36	J7	35	R7	35

○ : Relay Blocks

Code	See Page	Relay Blocks (Relay Block Location)
1	22	Engine Room R/B (Engine Compartment Left)

○ : Junction Block and Wire Harness Connector

Code	See Page	Junction Block and Wire Harness (Connector Location)
IC	25	Engine Room Main Wire and Instrument Panel J/B (Lower Finish Panel)
ID	25	Floor Wire and Instrument Panel J/B (Lower Finish Panel)
IE	25	Roof Wire and Instrument Panel J/B (Lower Finish Panel)
IF	25	Instrument Panel Wire and Instrument Panel J/B (Lower Finish Panel)
IG		
IH		
IK		
IL	24	
4B	30	Instrument Panel Wire and Center J/B (Behind the Combination Meter)
4C		

□ : Connector Joining Wire Harness and Wire Harness

Code	See Page	Joining Wire Harness and Wire Harness (Connector Location)
IK1	42	Roof Wire and Instrument Panel Wire (Left Side of the Instrument Panel Reinforcement)

▽ : Ground Points

Code	See Page	Ground Points Location
IE	40	Behind the Combination Meter
IG	40	Right Kick Panel

○ : Splice Points

Code	See Page	Wire Harness with Splice Points	Code	See Page	Wire Harness with Splice Points
B1	44	Roof Wire			

