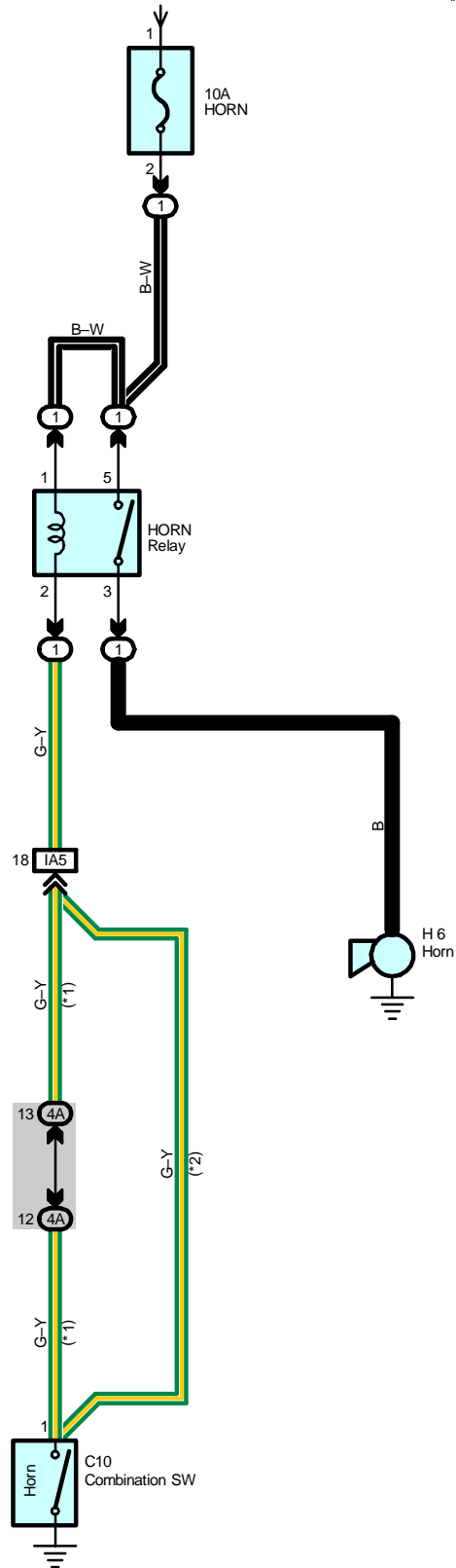


From Power Source System (See Page 48)

- * 1 : w/ Wireless Door Lock
- * 2 : w/o Wireless Door Lock



Service Hints**HORN Relay**

5-3 : Closed with the horn SW on.

 : **Parts Location**

Code	See Page	Code	See Page	Code	See Page
C10	34	H6	32		

 : **Relay Blocks**

Code	See Page	Relay Blocks (Relay Block Location)
1	22	Engine Room R/B (Engine Compartment Left)

 : **Junction Block and Wire Harness Connector**

Code	See Page	Junction Block and Wire Harness (Connector Location)
4A	30	Instrument Panel Wire and Center J/B (Behind the Combination Meter)

 : **Connector Joining Wire Harness and Wire Harness**

Code	See Page	Joining Wire Harness and Wire Harness (Connector Location)
IA5	40	Engine Room Main Wire and Instrument Panel Wire (Left Side of the Instrument Panel Reinforcement)