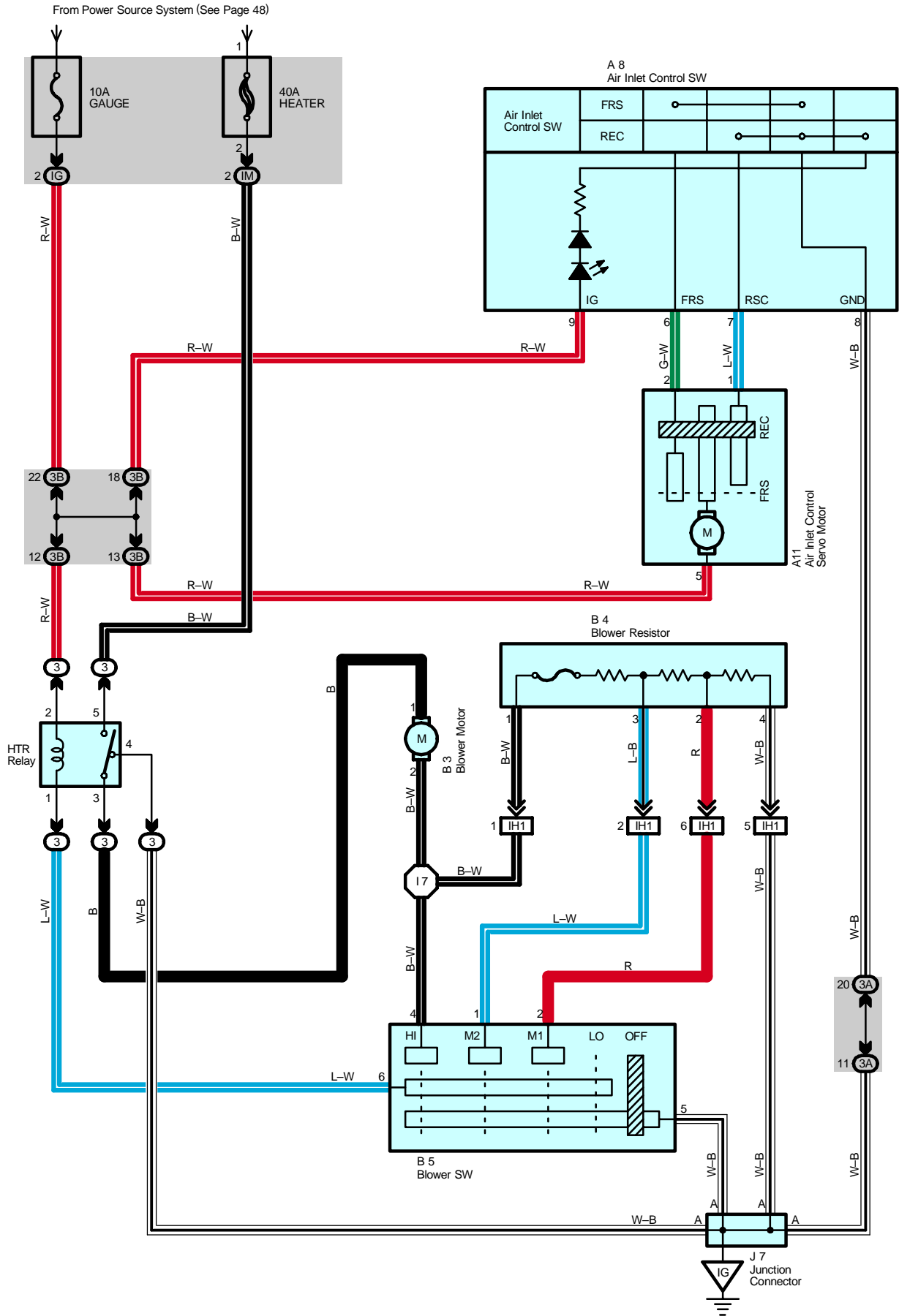


Heater



Service Hints**HTR Relay**

5-3 : Closed with the ignition SW at ON position and the blower SW on

 : **Parts Location**

Code	See Page	Code	See Page	Code	See Page
A8	34	B3	34	B5	34
A11	34	B4	34	J7	35

 : **Relay Blocks**

Code	See Page	Relay Blocks (Relay Block Location)
3	28	RH R/B (Right Side of the Instrument Panel Reinforcement)

 : **Junction Block and Wire Harness Connector**

Code	See Page	Junction Block and Wire Harness (Connector Location)
IG	25	Instrument Panel Wire and Instrument Panel J/B (Lower Finish Panel)
IM	24	
3A	28	Instrument Panel Wire and RH J/B (Right Side of the Instrument Panel Reinforcement)
3B		

 : **Connector Joining Wire Harness and Wire Harness**

Code	See Page	Joining Wire Harness and Wire Harness (Connector Location)
IH1	42	Instrument Panel Wire and A/C Sub Wire (Left Upper Side of the Blower Unit)

 : **Ground Points**

Code	See Page	Ground Points Location
IG	40	Right Kick Panel

 : **Splice Points**

Code	See Page	Wire Harness with Splice Points	Code	See Page	Wire Harness with Splice Points
I7	42	Instrument Panel Wire			