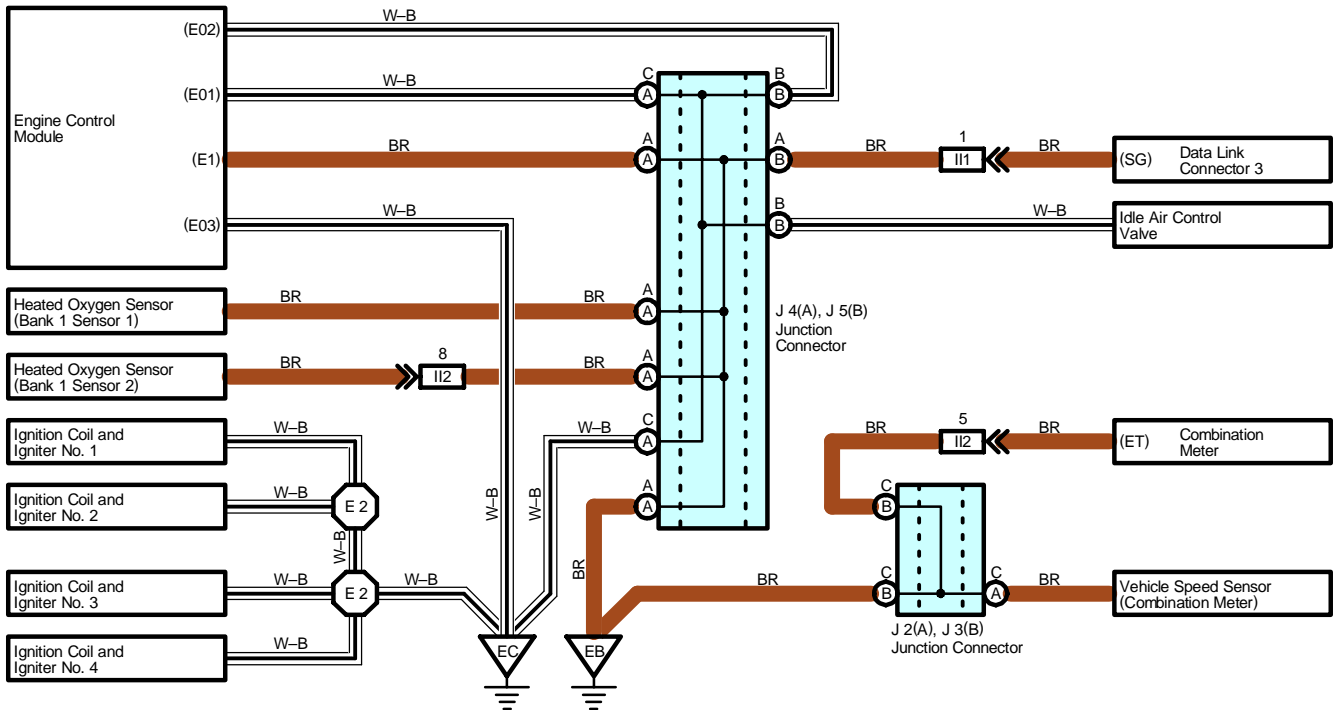
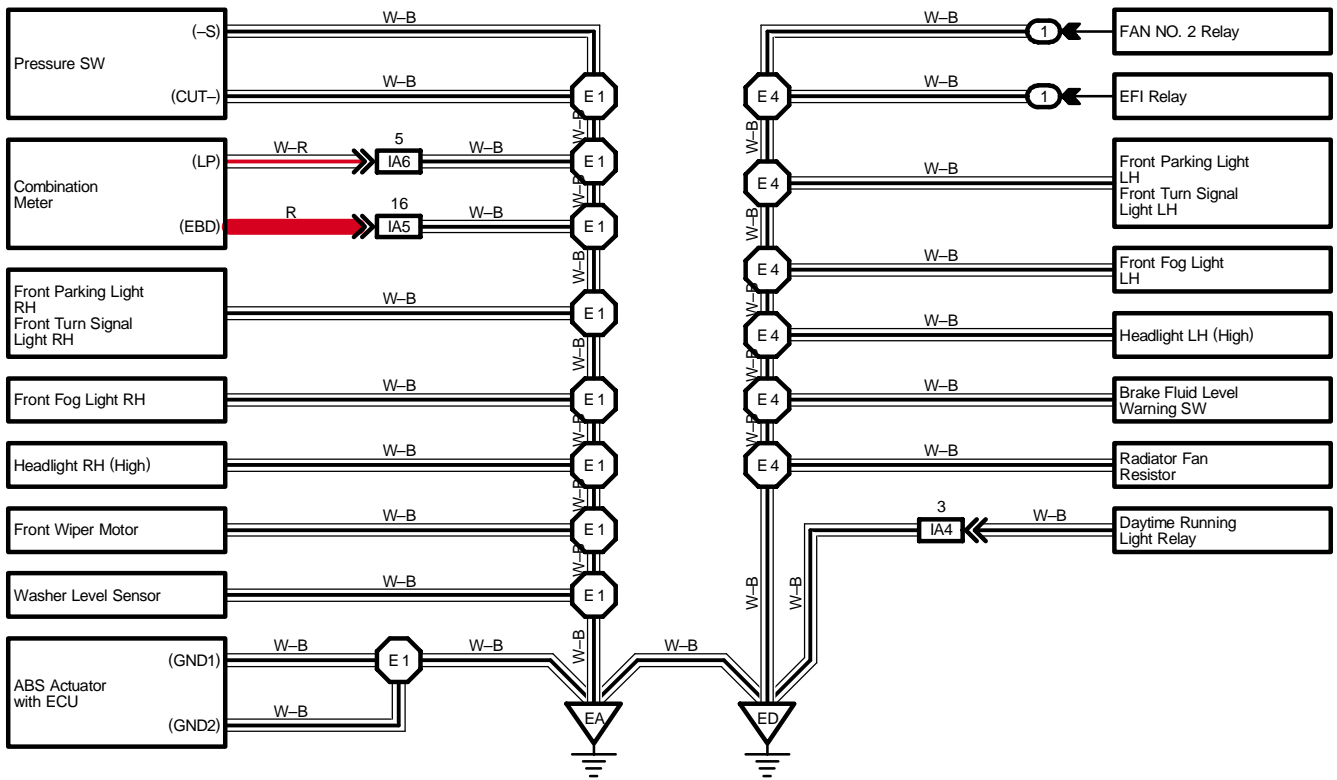
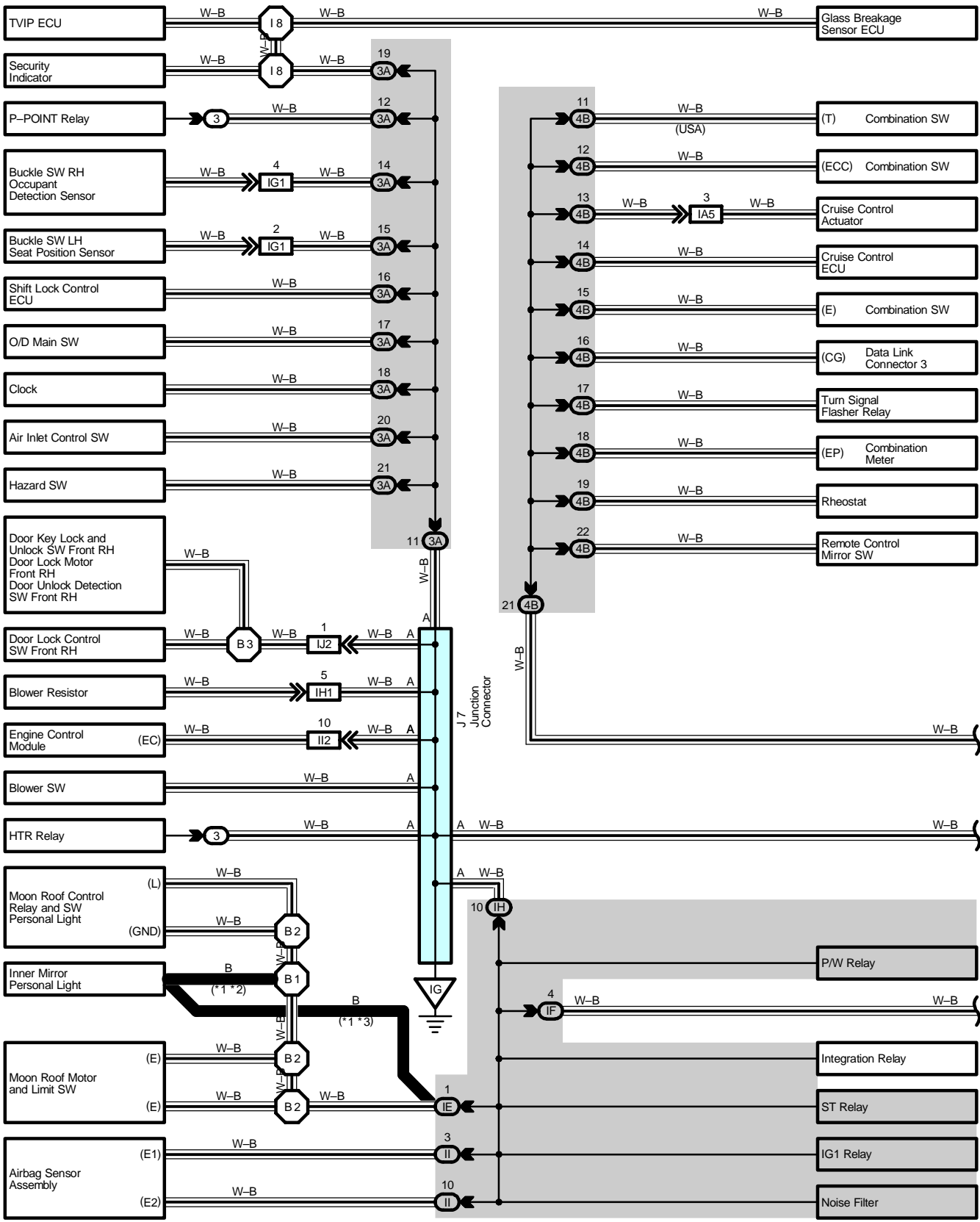


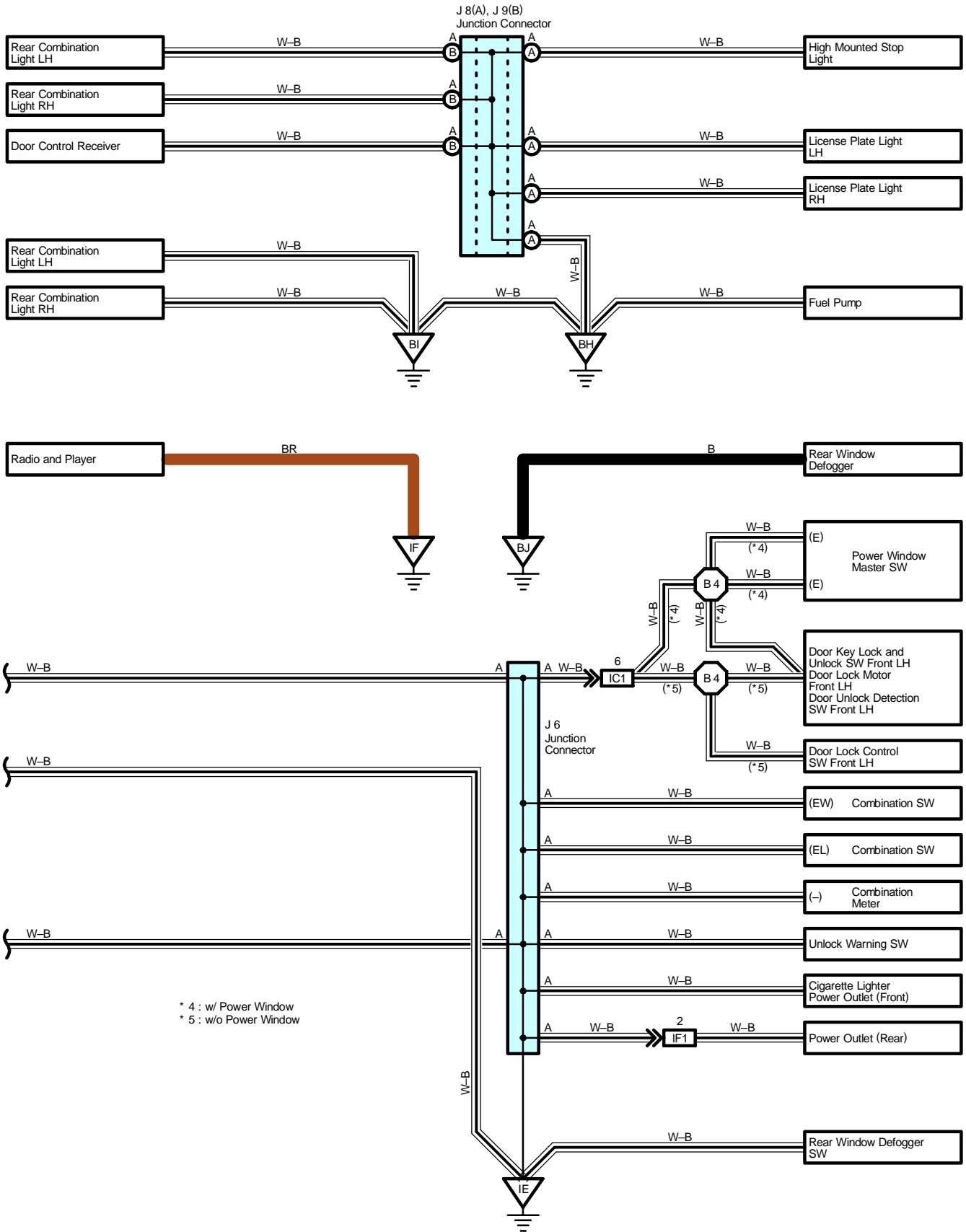
# I GROUND POINT





\* 1 : w/ Automatic Glare-Resistant EC Mirror  
 \* 2 : w/ Moon Roof  
 \* 3 : w/o Moon Roof

# I GROUND POINT



 : **Parts Location**

Code		See Page	Code		See Page	Code		See Page
J2	A	35	J5	B	35	J8	A	36
J3	B	35	J6		35	J9	B	36
J4	A	35	J7		35			

 : **Relay Blocks**

Code	See Page	Relay Blocks (Relay Block Location)
1	22	Engine Room R/B (Engine Compartment Left)
3	28	RH R/B (Right Side of the Instrument Panel Reinforcement)

 : **Junction Block and Wire Harness Connector**

Code	See Page	Junction Block and Wire Harness (Connector Location)
IE	25	Roof Wire and Instrument Panel J/B (Lower Finish Panel)
IF	25	Instrument Panel Wire and Instrument Panel J/B (Lower Finish Panel)
IH		
II		
3A	28	Instrument Panel Wire and RH J/B (Right Side of the Instrument Panel Reinforcement)
4B	30	Instrument Panel Wire and Center J/B (Behind the Combination Meter)

 : **Connector Joining Wire Harness and Wire Harness**

Code	See Page	Joining Wire Harness and Wire Harness (Connector Location)
IA4	40	Engine Room Main Wire and Instrument Panel Wire (Left Side of the Instrument Panel Reinforcement)
IA5		
IA6		
IC1	40	Front Door LH Wire and Instrument Panel Wire (Left Kick Panel)
IF1	42	Console Box Wire and Instrument Panel Wire (Under the Instrument Panel Center)
IG1	42	Instrument Panel Wire and Instrument Panel No.3 Wire (Front Side of the Parking Brake Lever)
IH1	42	Instrument Panel Wire and A/C Sub Wire (Left Upper Side of the Blower Unit)
II1	42	Engine Wire and Instrument Panel Wire (Blower Unit RH)
II2		
IJ2	42	Front Door RH Wire and Instrument Panel Wire (Right Kick Panel)

 : **Ground Points**

Code	See Page	Ground Points Location
EA	38	Front Right Fender
EB	38	Left Side of the Cylinder Head
EC		
ED	38	Front Left Suspension Tower
IE	40	Behind the Combination Meter
IF		
IG	40	Right Kick Panel
BH	44	Under the Left Quarter Pillar
BI	44	Lower Back Panel
BJ	44	Under the Right Quarter Pillar

 : **Splice Points**

Code	See Page	Wire Harness with Splice Points	Code	See Page	Wire Harness with Splice Points
E1	38	Engine Room Main Wire	B1	44	Roof Wire
E2	38	Engine Wire	B2		
E4	38	Engine Room Main Wire	B3	44	Front Door RH Wire
I8	42	Instrument Panel Wire	B4	44	Front Door LH Wire