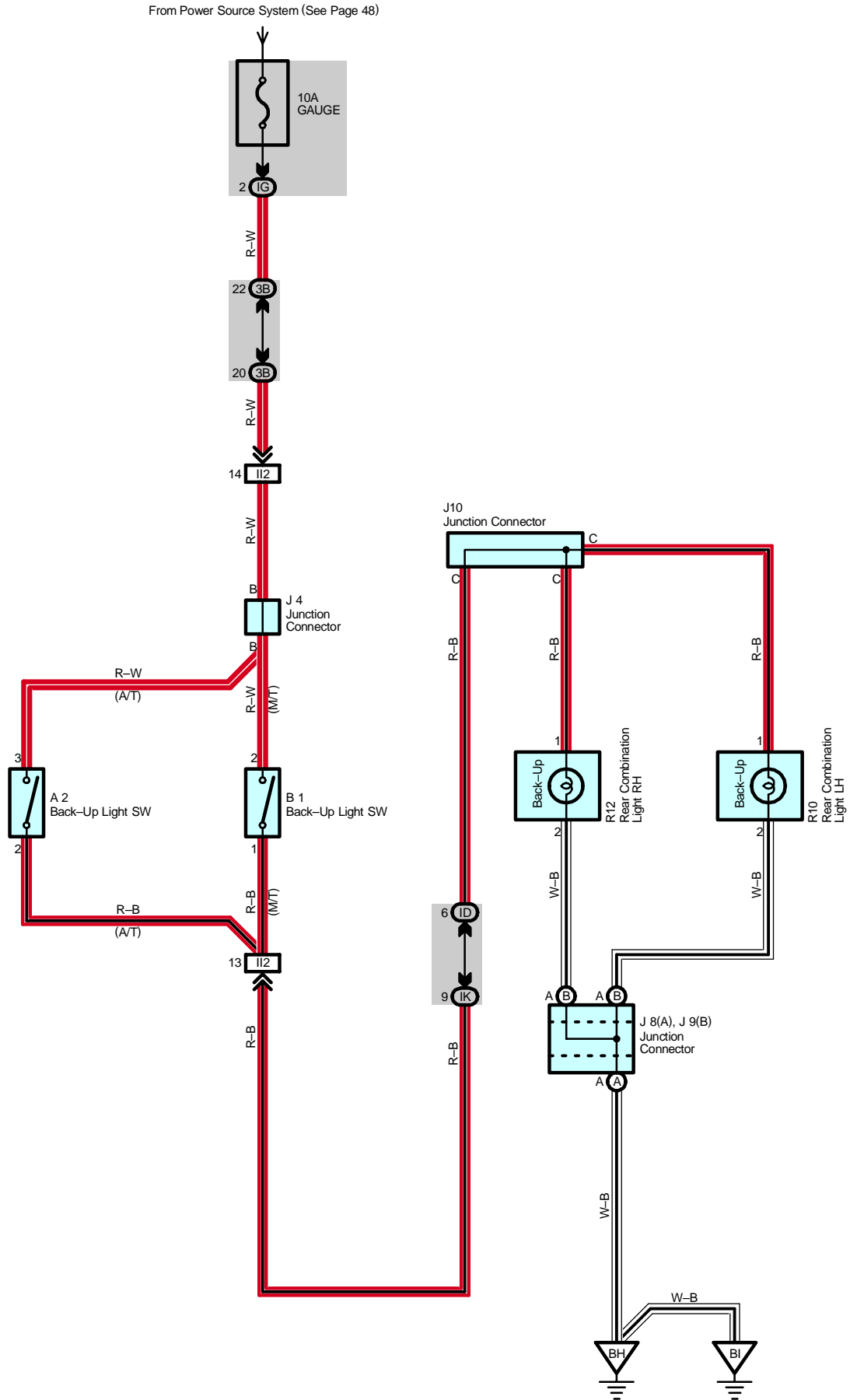


Back-Up Light



Service Hints

A2 Back-Up Light SW (A/T)

2-3 : Closed with the shift lever at R position

B1 Back-Up Light SW (M/T)

2-1 : Closed with the shift lever at R position

: Parts Location

Code	See Page	Code	See Page	Code	See Page	
A2	32	J8	A	36	R10	37
B1	32	J9	B	36	R12	37
J4	35	J10	36			

: Junction Block and Wire Harness Connector

Code	See Page	Junction Block and Wire Harness (Connector Location)
ID	25	Floor Wire and Instrument Panel J/B (Lower Finish Panel)
IG	25	Instrument Panel Wire and Instrument Panel J/B (Lower Finish Panel)
IK	24	
3A	28	Instrument Panel Wire and RH J/B (Right Side of the Instrument Panel Reinforcement)
3B		

: Connector Joining Wire Harness and Wire Harness

Code	See Page	Joining Wire Harness and Wire Harness (Connector Location)
I12	42	Engine Wire and Instrument Panel Wire (Blower Unit RH)

: Ground Points

Code	See Page	Ground Points Location
BH	44	Under the Left Quarter Pillar
BI	44	Lower Back Panel