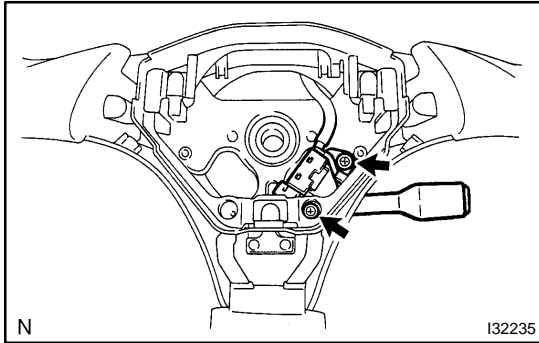


# SPEED CONTROL MAIN SWITCH ASSY

82022-03

## REPLACEMENT

1. DISCONNECT BATTERY NEGATIVE TERMINAL
2. INSPECT PLACE FRONT WHEELS FACING STRAIGHT AHEAD
3. REMOVE HORN BUTTON ASSY(See page 60-13)
4. REMOVE STEERING WHEEL ASSY(See page 50-8)  
SST 09950-50013 (09951-05010, 09952-05010, 09953-05020, 09954-05021)



5. REMOVE SPEED CONTROL MAIN SWITCH ASSY
  - (a) Remove the 2 screws and cruise control main switch assy.
6. CENTER SPIRAL CABLE(See page 50-8)
7. INSTALL STEERING WHEEL ASSY(See page 50-8)
8. INSPECT STEERING WHEEL CENTER POINT(See page 50-8)
9. INSPECT HORN BUTTON ASSY(See page 60-13)
10. INSTALL HORN BUTTON ASSY(See page 60-13)
11. INSPECT SRS WARNING LIGHT(See page 05-424)