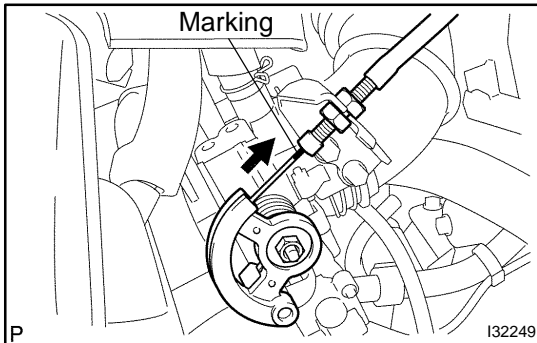


# CRUISE CONTROL SYSTEM

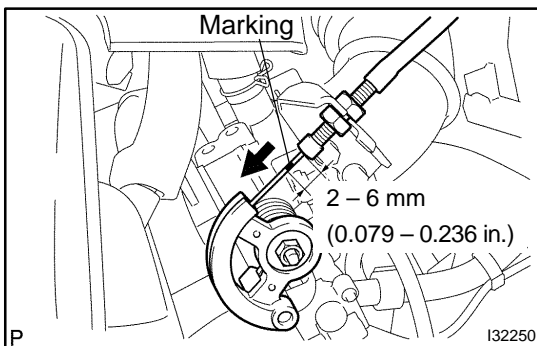
## ON-VEHICLE INSPECTION

82021-01

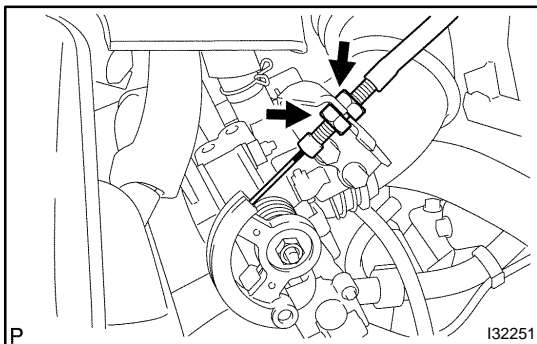


### 1. CHECK PLAY OF ACCELERATOR AUTO DRIVE CABLE ASSY

- (a) Push the wire into the cable so as not to move the throttle link and put a mark on the position shown in the illustration.



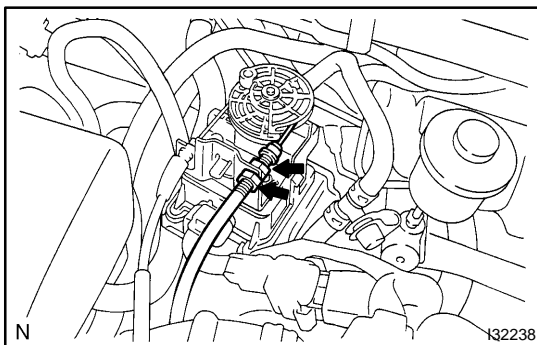
- (b) Pull the wire and check the moved distance of the mark.



### 2. ADJUST PLAY IN ACCELERATOR AUTO DRIVE CABLE ASSY

- (a) Changing the double nut position shown by the arrows, adjust the play to the standard value.

**Standard: 2 - 6 mm (0.079 - 0.236 in.)**



### 3. ADJUST PLAY IN ACCELERATOR CONTROL CABLE ASSY

- (a) Remove the cruise control actuator cover and adjust the play in the accelerator control cable assy by changing the double nut position.