

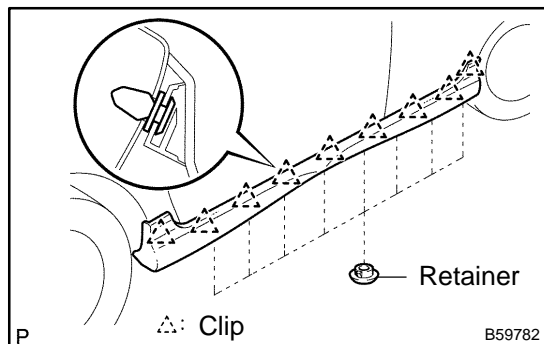
# SIDE MUDGUARD SUB-ASSY LH

## REPLACEMENT

76014-02

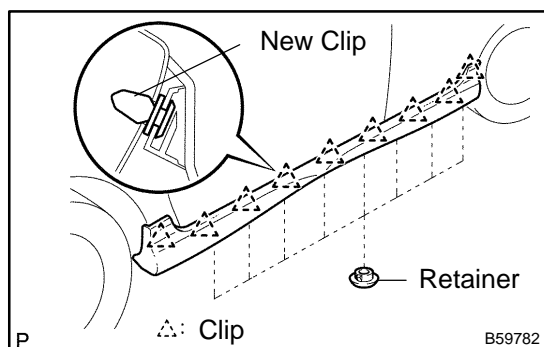
### HINT:

Use the same procedures for the RH side and LH side.



### 1. REMOVE SIDE MUDGUARD SUB-ASSY LH

- (a) Using a clip remover, remove the 8 retainers and 9 clips.
- (b) Using a moulding remover, remove the mudguard.



### 2. INSTALL SIDE MUDGUARD SUB-ASSY LH

- (a) Install the mudguard with 9 new clips.
- (b) Install the 8 retainers to the mudguard.