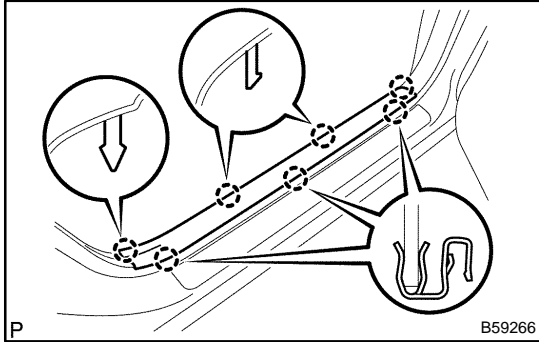


## REPLACEMENT



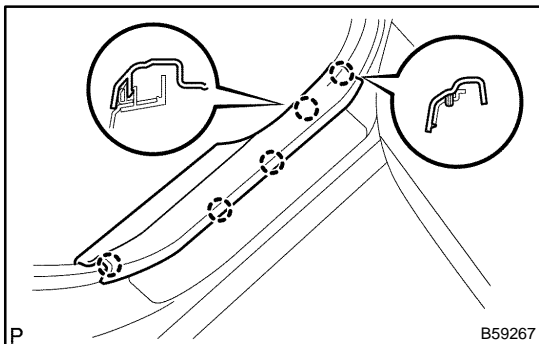
### 1. REMOVE FRONT DOOR SCUFF PLATE RH

(a) Using a screwdriver, remove the front door scuff plate RH.

HINT:

Tape the screwdriver tip before use.

### 2. REMOVE FRONT DOOR SCUFF PLATE LH



### 3. REMOVE REAR DOOR SCUFF PLATE RH

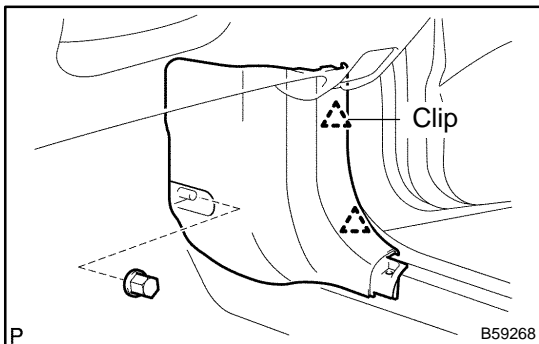
(a) Using a screwdriver, remove the rear door scuff plate RH.

HINT:

Tape the screwdriver tip before use.

(b) Employ the same manner described above to the other side.

### 4. REMOVE REAR DOOR SCUFF PLATE LH



### 5. REMOVE COWL SIDE TRIM BOARD RH

(a) Remove the clip.

(b) Using a screwdriver, remove the cowl side trim board RH.

HINT:

Tape the screwdriver tip before use.

(c) Employ the same manner described above to the other side.

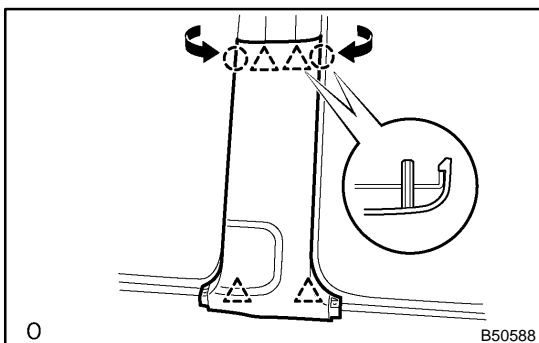
### 6. REMOVE COWL SIDE TRIM BOARD LH

### 7. REMOVE FRONT DOOR OPENING TRIM RH

### 8. REMOVE FRONT DOOR OPENING TRIM LH

### 9. REMOVE REAR DOOR OPENING TRIM RH

### 10. REMOVE REAR DOOR OPENING TRIM LH

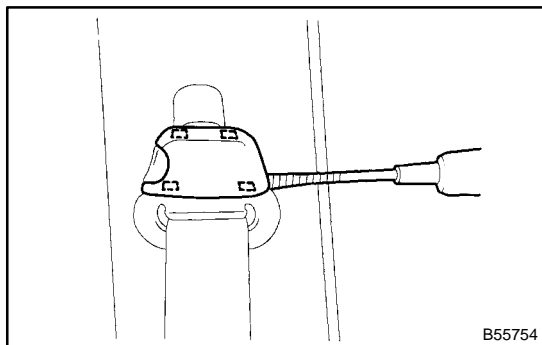


### 11. REMOVE CENTER PILLAR GARNISH LOWER RH

(a) Pull the center pillar garnish lower RH upward to remove it.

(b) Employ the same manner described above to the other side.

### 12. REMOVE CENTER PILLAR GARNISH LOWER LH

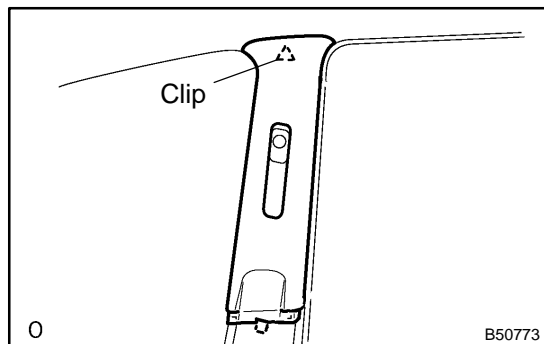
**13. REMOVE CENTER PILLAR GARNISH RH**

- (a) Using a screwdriver, remove the shoulder anchor cover cap.

HINT:

Tape the screwdriver tip before use.

- (b) Remove the bolt and front seat outer belt shoulder anchor.  
 (c) Remove the bolt and front seat outer belt floor anchor.

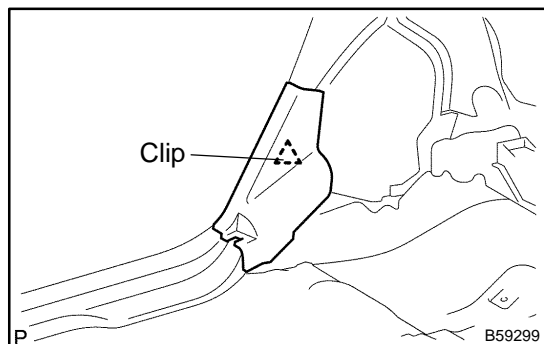


- (d) Using a screwdriver, remove the center pillar upper garnish RH.

HINT:

Tape the screwdriver tip before use.

- (e) Employ the same manner described above to the other side.

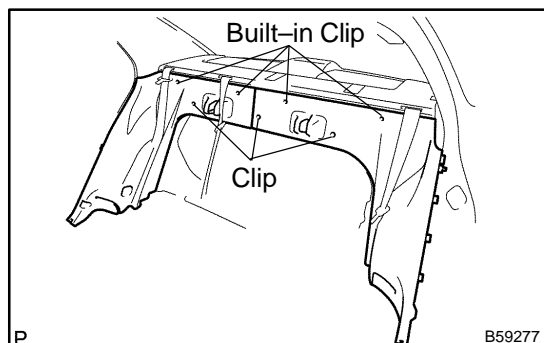
**14. REMOVE CENTER PILLAR GARNISH LH****15. REMOVE REAR SEAT CUSHION ASSEMBLY (See page 72-6, 72-8)****16. REMOVE REAR SEAT BACK ASSY (FIXED TYPE REAR SEAT) (See page 72-8)****17. REMOVE REAR SEAT BACK ASSY (SEPARATED TYPE REAR SEAT) (See page 72-6)****18. REMOVE REAR SEAT SIDE COVER RH (FIXED TYPE REAR SEAT)**

- (a) Using a screwdriver, remove the rear seat side cover RH.

HINT:

Tape the screwdriver tip before use.

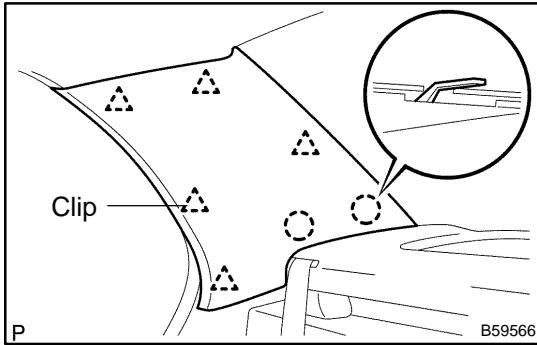
- (b) Employ the same manner described above to the other side.

**19. REMOVE REAR SEAT SIDE GARNISH LH (FIXED TYPE REAR SEAT)****20. REMOVE ROOM PARTITION BOARD LH (SEPARATED TYPE REAR SEAT)**

- (a) Remove the 2 clips and 2 built-in clips room partition board LH.

**21. REMOVE ROOM PARTITION BOARD RH (SEPARATED TYPE REAR SEAT)**

- (a) Remove the clip and 2 built-in clips room partition board RH.

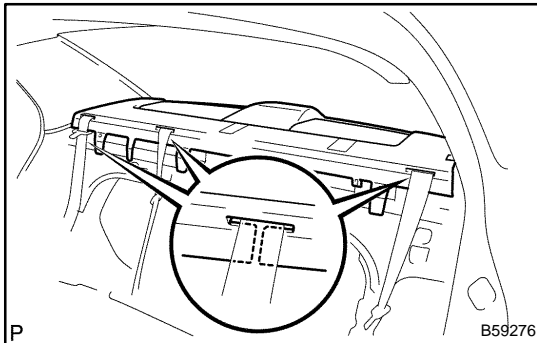
**22. REMOVE ROOF SIDE GARNISH INNER RH**

- (a) Using a screwdriver, remove the roof side garnish inner RH.

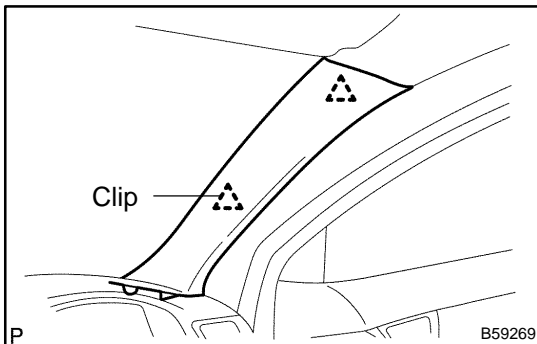
**HINT:**

Tape the screwdriver tip before use.

- (b) Employ the same manner described above to the other side.

**23. REMOVE ROOF SIDE GARNISH INNER LH****24. REMOVE PACKAGE TRAY TRIM PANEL ASSY**

- (a) Using a clip remover, remove the 7 clips.
- (b) Pull out the belt from the slit and then remove the package tray trim panel assembly.

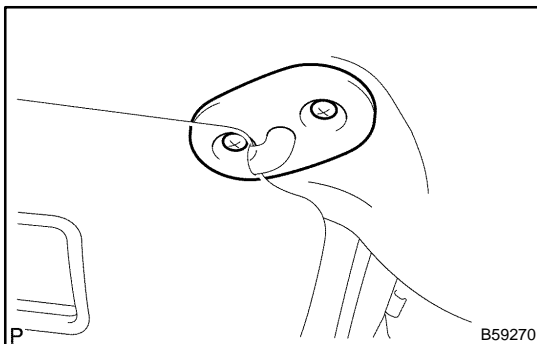
**25. REMOVE FRONT PILLAR GARNISH RH**

- (a) Using a screwdriver, remove the front pillar garnish RH.

**HINT:**

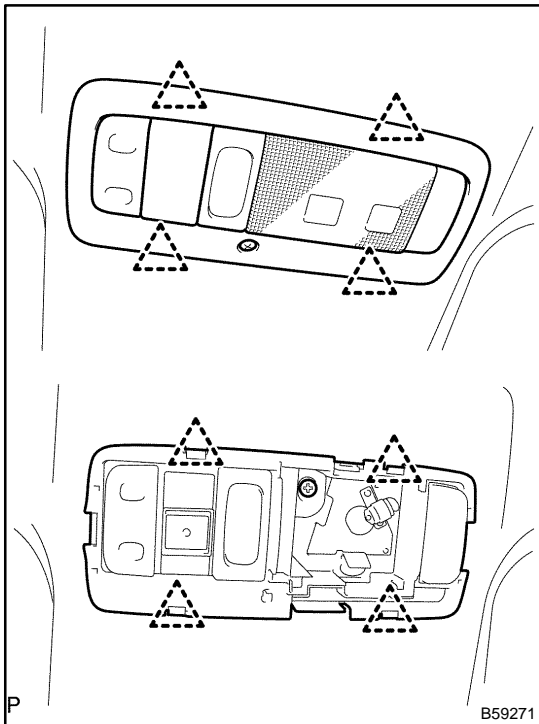
Tape the screwdriver tip before use.

- (b) Employ the same manner described above to the other side.

**26. REMOVE FRONT PILLAR GARNISH LH****27. REMOVE RH VISOR ASSY**

- (a) Remove the 2 screws and RH visor assembly.

**28. REMOVE LH VISOR ASSY**

**29. REMOVE MAP LAMP ASSY (W/ SLIDING ROOF)**

- (a) Remove the screw.
- (b) Using a screwdriver, remove the map lamp lens and cover.

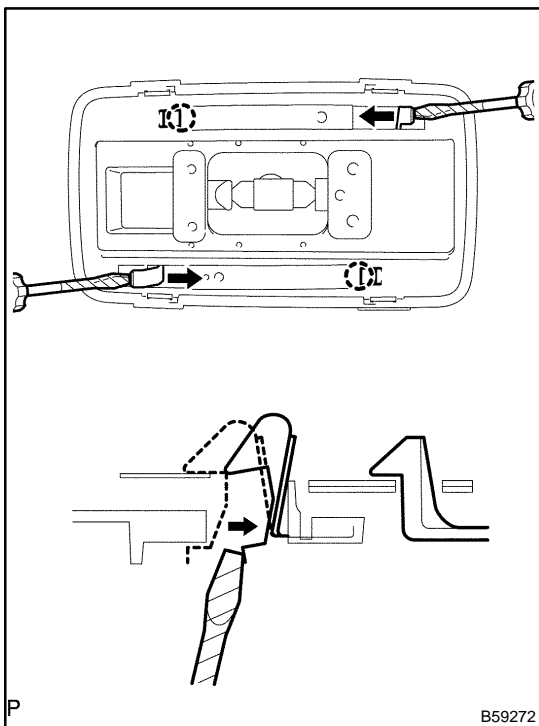
**HINT:**

Tape the screwdriver tip before use.

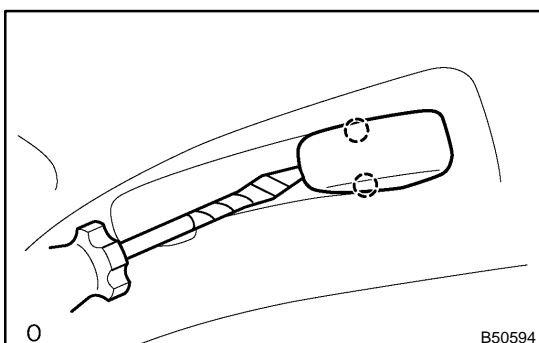
- (c) Remove the screw.
- (d) Using a screwdriver, remove the glove box lamp assembly.

**HINT:**

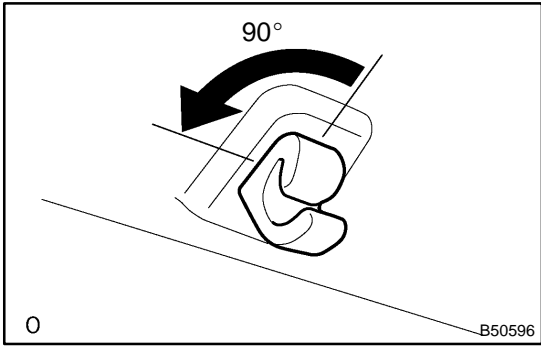
Tape the screwdriver tip before use.

**30. REMOVE ROOM LAMP ASSY NO.1**

- (a) Using a screwdriver, remove the lens cover.
- (b) Using a screwdriver, remove the room lamp assembly No.1 as shown in the illustration.

**31. REMOVE ASSIST GRIP SUB-ASSY**

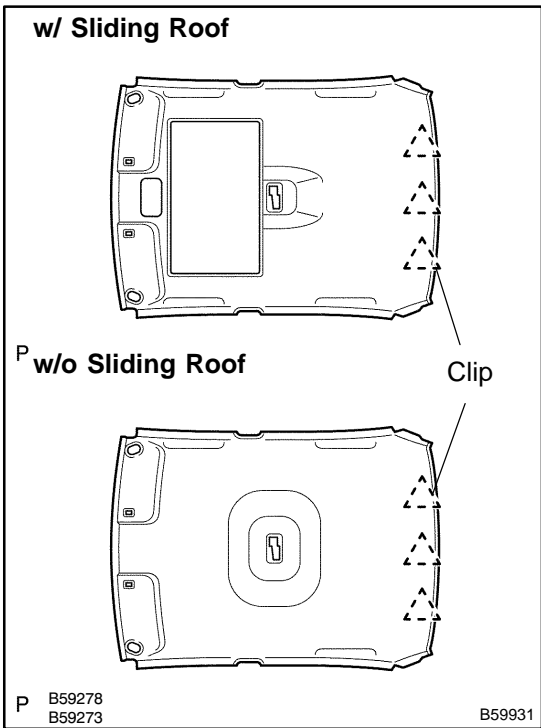
- (a) Using a screwdriver, remove the 2 assist grip covers.
- (b) Remove the 2 screws and assist grip sub-assy.



**32. REMOVE VISOR HOLDER**

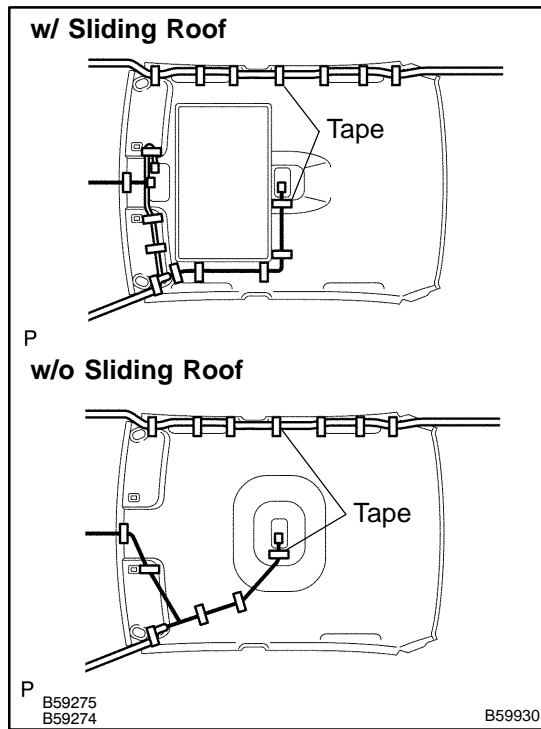
- (a) Remove the holder of the sun visor by turning it counter-clockwise.

**33. REMOVE SUN ROOF OPENING TRIM MOULDING (W/ SLIDING ROOF)**



**34. REMOVE ROOF HEADLINING ASSY**

- (a) Remove the 3 clips and roof headlining assembly.

**35. INSTALL ROOF HEADLINING ASSY**

- (a) Align the markings, and then install the wire harness with tape.

**HINT:**

Be careful for dirt or foreign objects not to stick to the adhered part when peeling off the double-stick tape.

- (b) Attach the roof wire harness across the adhered part.

**NOTICE:**

**Roof wire harness should be attached securely.**

- (c) Install the 3 clips.

36. **INSTALL ROOM PARTITION BOARD RH (SEPARATED TYPE REAR SEAT)**  
 37. **INSTALL ROOM PARTITION BOARD LH (SEPARATED TYPE REAR SEAT)**  
 38. **INSTALL REAR SEAT SIDE COVER RH (FIXED TYPE REAR SEAT)**  
 39. **INSTALL REAR SEAT SIDE GARNISH LH (FIXED TYPE REAR SEAT)**  
 40. **INSTALL REAR SEAT BACK ASSY (FIXED TYPE REAR SEAT) (See page 72-8)**  
 41. **INSTALL REAR SEAT BACK ASSY (SEPARATED TYPE REAR SEAT) (See page 72-6)**