

REAR SPOILER REPLACEMENT

76011-02

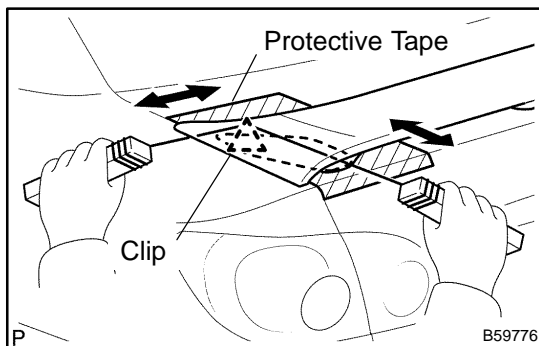
HINT:

Installation is in the reverse order of the removal. But the installation is indicated only when it has a point.

1. REMOVE LUGGAGE COMPARTMENT DOOR COVER

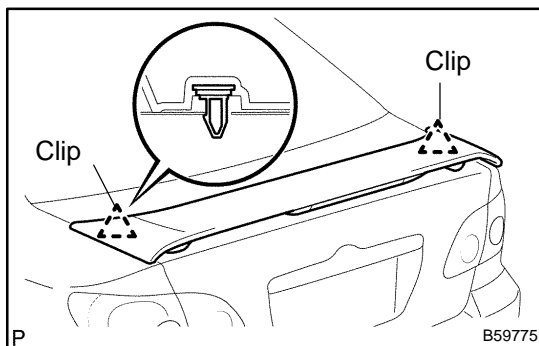
2. REMOVE REAR SPOILER

- (a) Remove the 2 screws.
- (b) Disconnect the wire harness connector.
- (c) Put protective tape.
- (d) Using a heat light, heat the spoiler to 40 – 60°C (104 – 140°F).
- (e) Tie both piano wire ends to a wooden block or a similar object.
- (f) Scrape the spoiler protector off by pulling the piano wire as shown in the illustration.



NOTICE:

- If reusing the rear spoiler, take care not to damage the rear spoiler.
- Do not damage the body and wire harness.



- (g) Remove the 2 clips, wire harness grommet and rear spoiler.

3. REMOVE CENTER STOP LAMP ASSY

- (a) Remove the 2 bolts and the center stop lamp assembly.

4. INSTALL REAR SPOILER

- (a) Using a heat light, heat the body mounting surface to 40 – 60°C (104 – 140°F).

NOTICE:

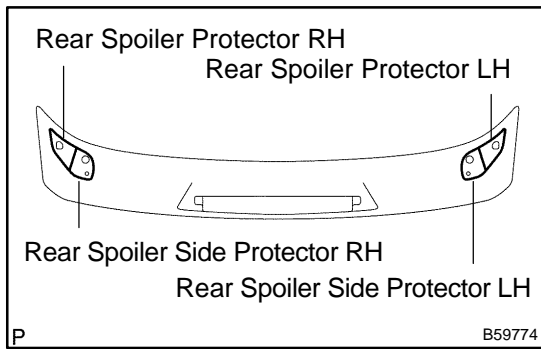
Do not heat the body excessively.

- (b) Remove the protective tape from the body.
- (c) Wipe off the stains with cleaner.
- (d) Clean the rear spoiler (if reusing the rear spoiler).
 - (1) Using a heat light, heat the rear spoiler to 40 – 60°C (104 – 140°F).

NOTICE:

Do not heat the rear spoiler excessively.

- (2) Remove the rear spoiler protector from the rear spoiler.
- (3) Wipe off the stains with cleaner.



- (4) Install 4 new rear spoiler protectors to the rear spoiler as shown in the illustration.