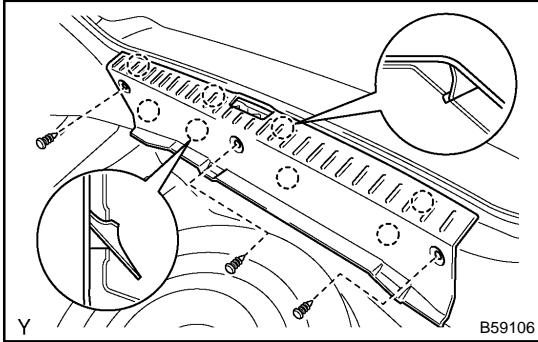


REPLACEMENT

HINT:

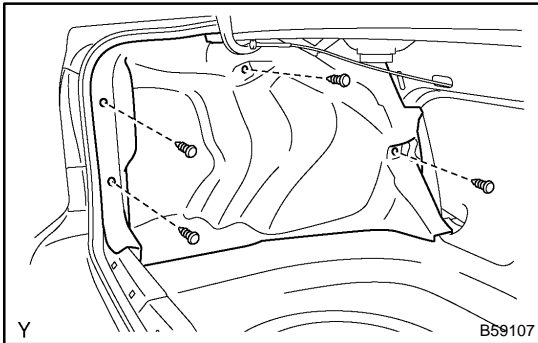
Installation is in the reverse order of the removal. But the installation is indicated only when it has a point.

1. REMOVE SPARE WHEEL COVER ASSY



2. REMOVE REAR FLOOR FINISH PLATE

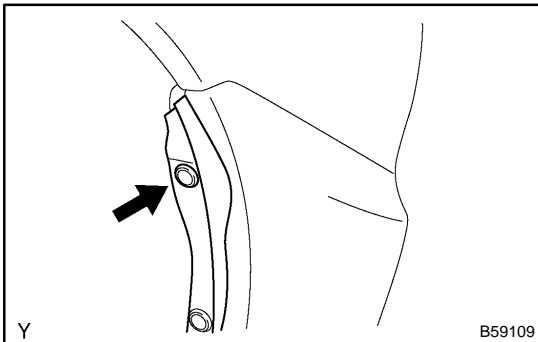
- (a) Remove the 3 clips.
- (b) Using a moulding remover, remove the rear floor finish plate.



3. REMOVE LUGGAGE COMPARTMENT TRIM COVER INNER LH

- (a) Remove the 4 clips and the luggage compartment trim cover.
- (b) Employ the same manner described above to the other side.

4. REMOVE LUGGAGE COMPARTMENT TRIM COVER INNER RH



5. DISCONNECT REAR BUMPER SIDE SEAL LH

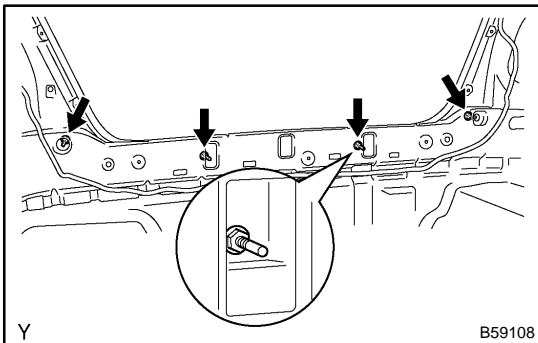
- (a) Remove the clip and a part of the rear bumper side seal, as shown in the illustration.

HINT:

Do not remove the lower side clip.

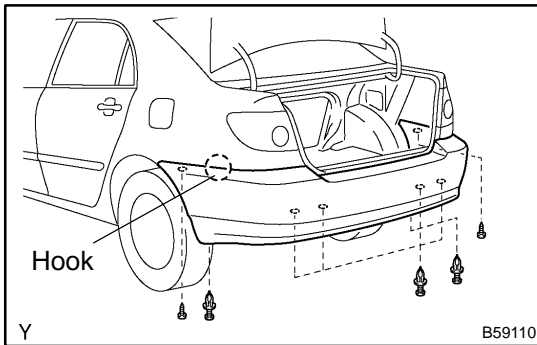
- (b) Employ the same manner described above to the other side.

6. DISCONNECT REAR BUMPER SIDE SEAL RH



7. REMOVE REAR BUMPER COVER

- (a) Remove the 4 nuts.



- (b) Remove the 2 screws and 6 clips.
- (c) Disengage the hook, and remove the rear bumper cover.

8. REMOVE REAR BUMPER ENERGY ABSORBER

9. REMOVE REAR BUMPER REINFORCEMENT NO.2

- (a) Remove the rear bumper reinforcement No. 2 from the rear bumper energy absorber.

10. REMOVE REAR NO.2 SPOILER SUB-ASSY (W/ REAR SPOILER)

- (a) Remove the 5 retainers, screw and the rear spoiler.
- (b) Employ the same manner described above to the other side.

11. REMOVE REAR NO.1 SPOILER SUB-ASSY (W/ REAR SPOILER)

12. REMOVE BUMPER MOULDING SET BOLT NO.1

13. REMOVE REAR BUMPER REINFORCEMENT NO.1

- (a) Remove the 4 nuts and rear bumper reinforcement No. 1.

14. REMOVE REAR BUMPER ARM LH

- (a) Remove the 3 bolts and rear bumper arm.
- (b) Employ the same manner described above to the other side.

15. REMOVE REAR BUMPER ARM RH

16. INSTALL REAR BUMPER ARM LH

- (a) Install the rear bumper arm with the 3 bolts.

Torque: 36 N·m (367 kgf·cm, 27 ft·lbf)

- (b) Employ the same manner described above to the other side.

17. INSTALL REAR BUMPER ARM RH

18. INSTALL REAR BUMPER REINFORCEMENT NO.1

- (a) Install the rear bumper reinforcement No. 1 with the 4 nuts.

Torque: 36 N·m (367 kgf·cm, 27 ft·lbf)

19. INSTALL REAR BUMPER COVER

- (a) Install the rear bumper cover with the 2 screws, 8 clips and 4 nuts.

Torque: 5.5 N·m (56 kgf·cm, 49 in·lbf) for nuts