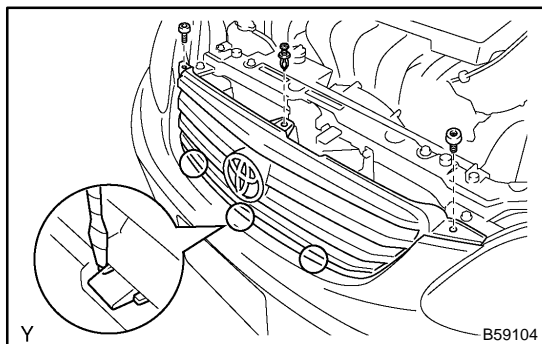


REPLACEMENT

HINT:

Installation is in the reverse order of the removal. But the installation is indicated only when it has a point.

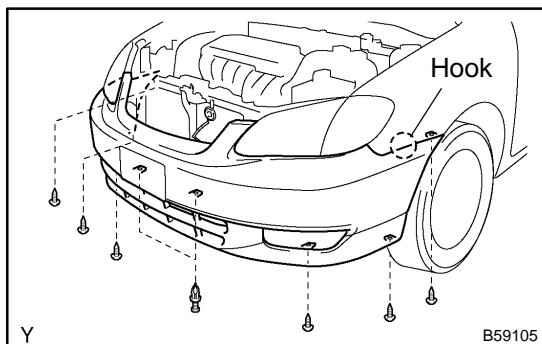


1. REMOVE RADIATOR GRILLE SUB-ASSY

- (a) Remove the 2 bolts and clip.
- (b) Using a screwdriver, remove the radiator grille.

HINT:

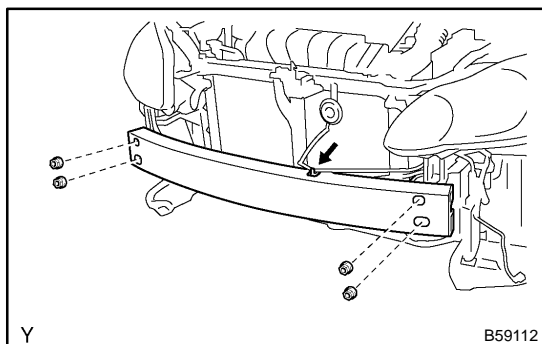
Tape the screwdriver tip before use.



2. REMOVE FRONT BUMPER COVER

- (a) Remove the 6 screws and 2 clips.
- (b) Disengage the hook, and remove the front bumper cover.
- (c) w/ Fog light:
Disconnect the fog light connectors.

3. REMOVE FRONT BUMPER ENERGY ABSORBER



4. REMOVE FRONT BUMPER REINFORCEMENT

- (a) Disconnect the wire harness clamp.
- (b) Remove the 4 nuts and front bumper reinforcement.

5. REMOVE FRONT BUMPER SIDE MOUNTING BRACKET LH

6. REMOVE FRONT BUMPER SIDE MOUNTING BRACKET RH

7. REMOVE FRONT LH SPOILER SUB-ASSY (W/ FRONT SPOILER)

- (a) Remove the screw and 4 retainers.
- (b) Disengage the clip and front LH spoiler.
- (c) Employ the same manner described above to the other side.

8. REMOVE FRONT RH SPOILER SUB-ASSY (W/ FRONT SPOILER)

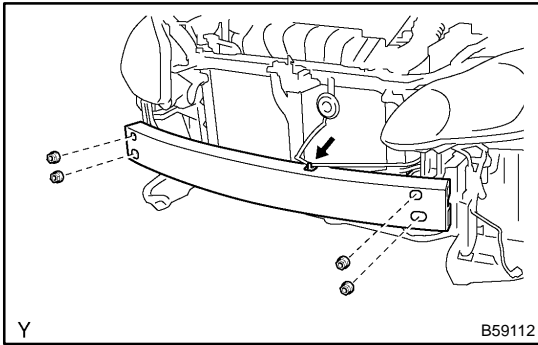
9. REMOVE FOG LIGHT UNIT LH (W/ FOG LIGHT)

- (a) Remove the nut and fog light unit.
- (b) Employ the same manner described above to the other side.

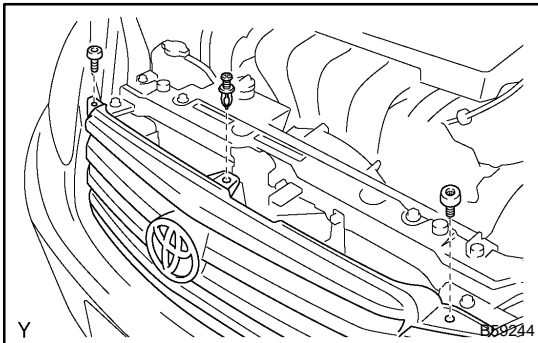
10. REMOVE FOG LIGHT UNIT RH (W/ FOG LIGHT)

11. REMOVE FRONT BUMPER HOLE COVER LH (W/O FOG LIGHT)

12. REMOVE FRONT BUMPER HOLE COVER RH (W/O FOG LIGHT)

**13. INSTALL FRONT BUMPER REINFORCEMENT**

- (a) Install the front bumper reinforcement with the 4 nuts.
Torque: 36 N·m (367 kgf·cm, 27 ft·lbf)

**14. INSTALL RADIATOR GRILLE SUB-ASSY**

- (a) Install the radiator grille with the 2 bolts and clip.
Torque: 5.0 N·m (51 kgf·cm, 44 in·lbf)