

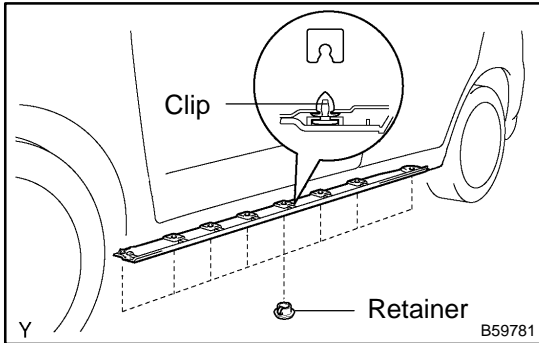
# BODY ROCKER PANEL MOULDING LH

## REPLACEMENT

76010-02

### HINT:

Use the same procedures for the RH side and LH side.



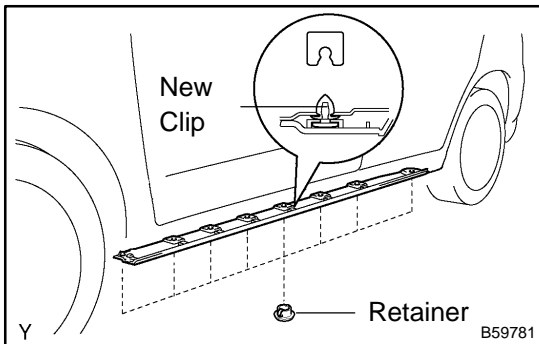
### 1. REMOVE BODY ROCKER PANEL MOULDING LH

- (a) Remove the 8 retainers.
- (b) Using a screwdriver, remove the moulding.

### HINT:

Tape the screwdriver tip before use.

- (c) Remove the 7 clips from the moulding.



### 2. INSTALL BODY ROCKER PANEL MOULDING LH

- (a) Install the moulding with 7 new clips.
- (b) Install the 8 retainers to the moulding.