

# LUGGAGE DOOR HINGE TORSION BAR RH

## REPLACEMENT

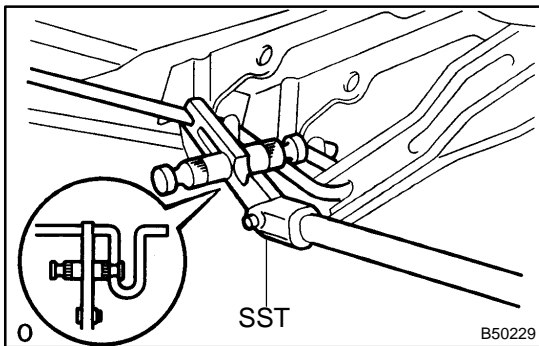
750DJ-02

### HINT:

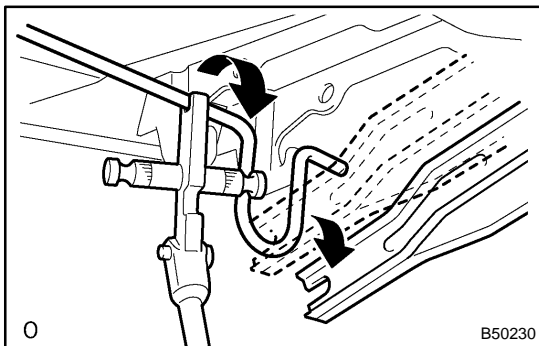
- Installation is in the reverse order of the removal. But the installation is indicated only when it has a point.
- In the LH side, work in the same procedure as in the RH side.
- Since the removal of the torsion bar will cause no tension, operation of opening and closing the door should be carried out holding the door by hand in order to prevent the door from closing without any resistance.
- RH side torsion bar is in the upper side and LH side torsion bar is in the lower side, thus the installation should be done in the order of RH to LH, and the removal should be done in the order of LH to RH.

### 1. REMOVE LUGGAGE DOOR HINGE TORSION BAR RH

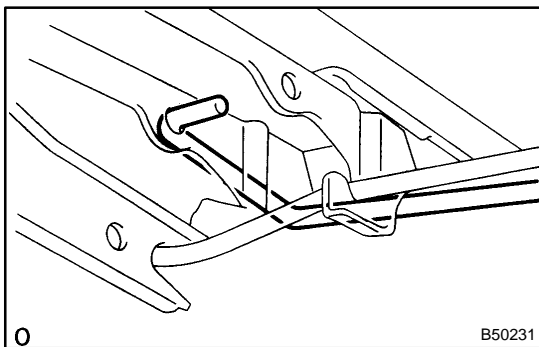
- (a) Remove the torsion bars from the center bracket.



- (b) Install SST to the torsion bar on the hinge side.  
SST 09804-24010



- (c) Push down the SST, and pull the luggage compartment door hinge from the torsion bar.  
(d) Slowly lift the SST, and remove the torsion bar from the torsion bar bracket with SST.



- (e) Disconnect the torsion bar from the bracket.  
(f) Employ the same manner described above to the other side.

### 2. INSTALL LUGGAGE DOOR HINGE TORSION BAR RH

- (a) When installing the torsion bar, be sure to install it to the clamp securely.