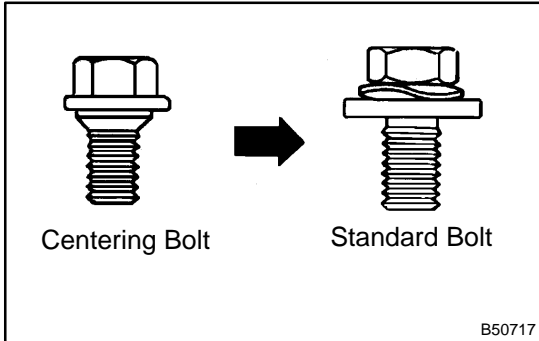


HOOD ADJUSTMENT

750DB-02

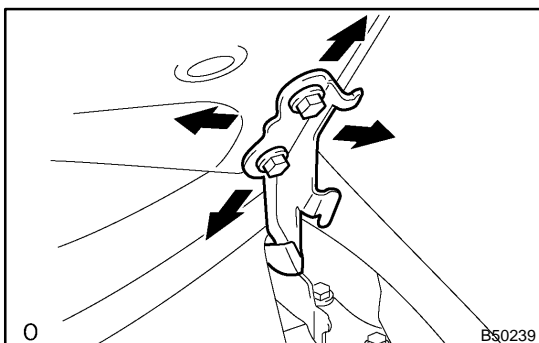
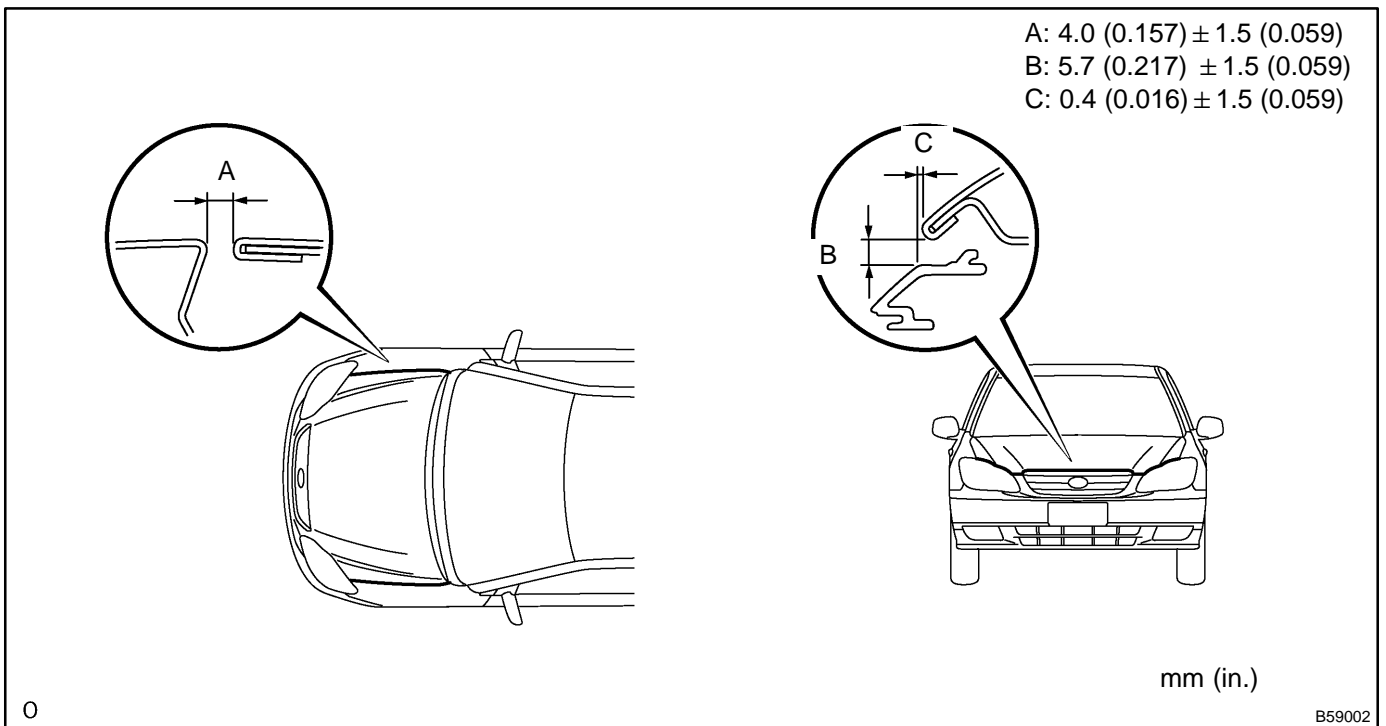


HINT:

Since the centering bolt is used as a hood hinge and hood lock set bolt, the hood and hood lock can not be adjusted with it on. Substitute a bolt with washer for the centering bolt.

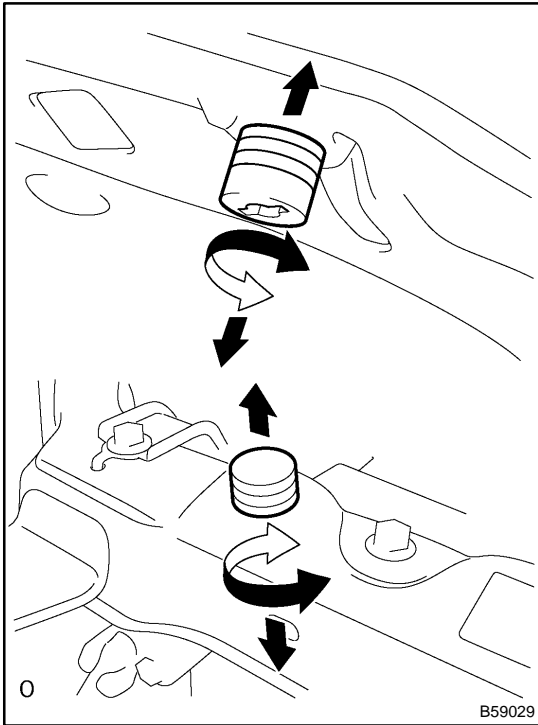
1. INSPECT HOOD SUB-ASSY

- (a) Check that the clearance is within the standard value.

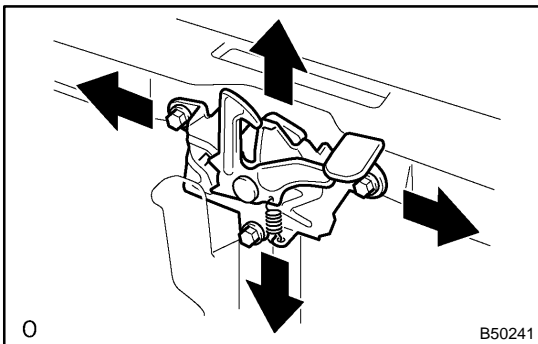


2. ADJUST HOOD SUB-ASSY

- (a) Adjust the hood by loosening the hood side hinge bolts.
Torque: 13 N·m (133 kgf·cm, 10 ft·lbf)



(b) Adjust the hood by turning the cushions.



(c) Adjust the lock by loosening the 3 bolts.
Torque: 7.0 N·m (82 kgf·cm, 71 in.-lbf)