

## OVERHAUL

### CAUTION:

Wear the gloves, because the cutting surface of the seat back frame and seat adjuster may injure your hand.

### HINT:

Tape the screwdriver tip before use when prying parts.

### 1. DISCONNECT BATTERY NEGATIVE TERMINAL

### CAUTION:

Wait for 90 seconds after disconnecting the battery terminal and disconnect the airbag connector.

### 2. REMOVE FRONT SEAT

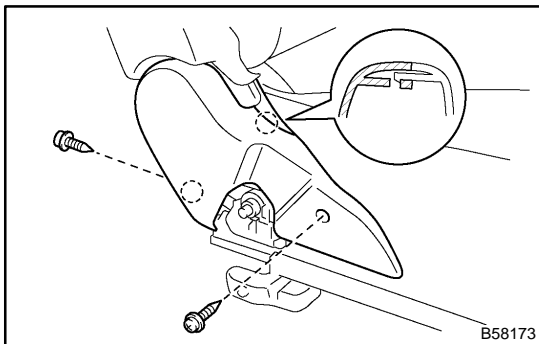
- (a) Remove the headrest.
- (b) Remove the seat track covers and 4 bolts.
- (c) Slide the seat to the most rear position.
- (d) Disconnect the connector(s) under the seat.
- (e) Remove the seat.

### NOTICE:

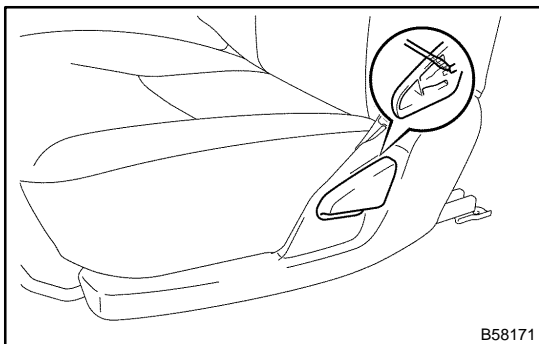
Be careful not to damage the body.

### 3. REMOVE SEPARATE TYPE FRONT SEAT BACK ASSY

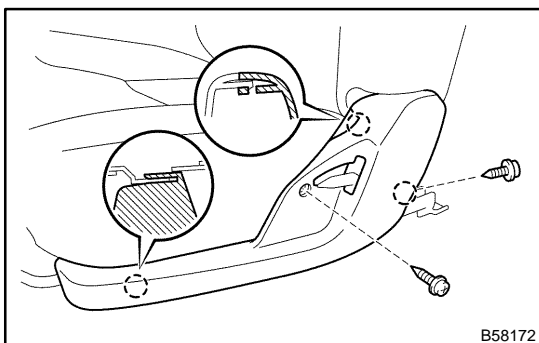
- (a) Remove the bolt, washer and seat belt inner.



- (b) Remove the seat cushion shield inner.



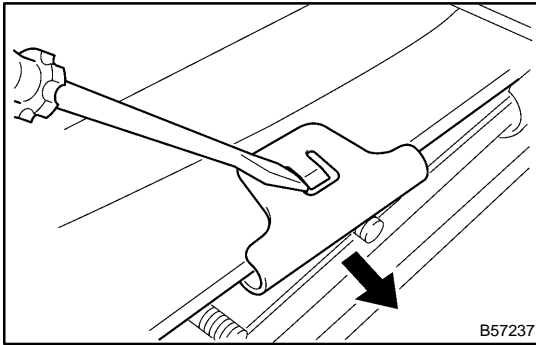
- (c) Using a screwdriver, remove the reclining adjuster release handle.



- (d) Remove the seat cushion shield outer.
- (e) w/ side airbag:  
Disconnect the airbag wire under the seat.
- (f) Remove the hog rings, 4 bolts and seat back.

### 4. REMOVE SEPARATE TYPE FRONT SEAT BACK COVER

- (a) Remove the hog rings and turn up the seat back cover.



- (b) w/ side airbag:  
Using a screwdriver, disconnect the clip.
- (c) Remove the headrest supports, seat back cover and seat back pad.

## 5. REMOVE SEPARATE TYPE FRONT SEAT CUSHION COVER

- (a) Remove the hog rings, seat cushion cover and seat cushion pad.

## 6. REMOVE FRONT SEAT ADJUSTER

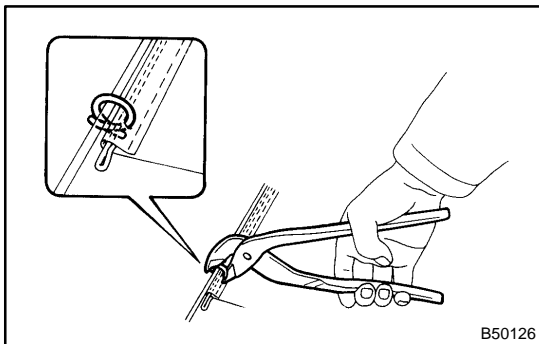
- (a) Remove the reclining adjuster inside covers.

## 7. INSTALL FRONT SEAT ADJUSTER

- (a) Install the reclining adjuster inside covers.

## 8. INSTALL SEPARATE TYPE FRONT SEAT CUSHION COVER

- (a) Install the seat cushion pad to the seat adjuster.



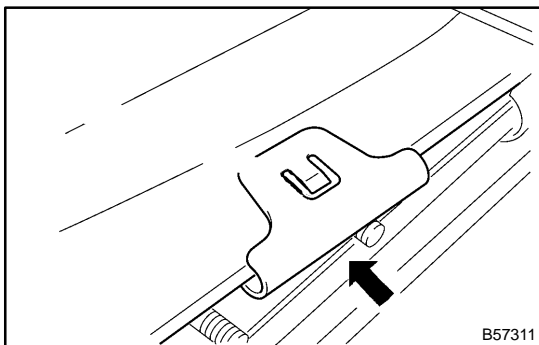
- (b) Using hog ring pliers, install the seat cushion cover with new hog rings.

### NOTICE:

- Be careful not to damage the cover.
- Be careful to prevent the cover wrinkles as little as possible.

## 9. INSTALL SEPARATE TYPE FRONT SEAT BACK COVER

- (a) Install the seat back pad to the seat back spring assy.
- (b) Cover the top of the seat back with the seat back cover.
- (c) Install the headrest supports.



- (d) w/ side airbag:  
Connect the clip.
- (e) Using hog ring pliers, fully install the seat back cover with new hog rings.

### NOTICE:

- Be careful not to damage the cover.
- Be careful to prevent the cover wrinkles as little as possible.

## 10. INSTALL SEPARATE TYPE FRONT SEAT BACK ASSY

- (a) Install the seat back with the 4 bolts.  
**Torque: 43 N·m (440 kgf·cm, 32 ft·lbf)**
- (b) Using hog ring pliers, install new hog rings.
- (c) Install the cushion shield outer with the 2 screws.

2004 COROLLA (RM1037U)

- (d) Install the vertical seat adjuster knob with the clip.
- (e) Install the reclining adjuster release handle.
- (f) Install the cushion shield inner with the 2 screws.
- (g) Install the seat belt inner with the washer and bolt.

**Torque: 42 N·m (430 kgf·cm, 31 ft·lbf)**

- (h) Check that the seat belt inner moves smoothly.

#### **11. INSTALL FRONT SEAT**

- (a) Slide the seat to the most rear position.
- (b) Place the seat on the cabin.

#### **NOTICE:**

**Be careful not to damage the body.**

- (c) Connect the connector(s) under the seat.
- (d) Install the front seat with the 4 bolts.

**Torque: 47 N·m (480 kgf·cm, 35 ft·lbf)**

- (e) Install the seat track covers.
- (f) Install the headrest.