

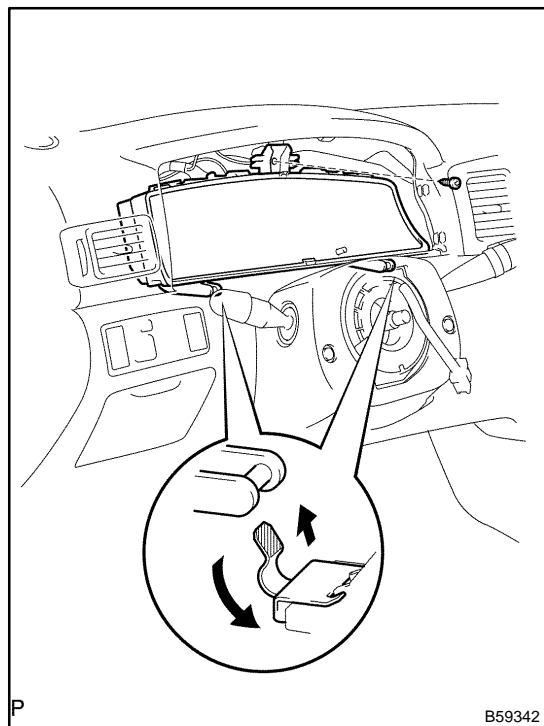
COMBINATION METER ASSY OVERHAUL

7108K-01

HINT:

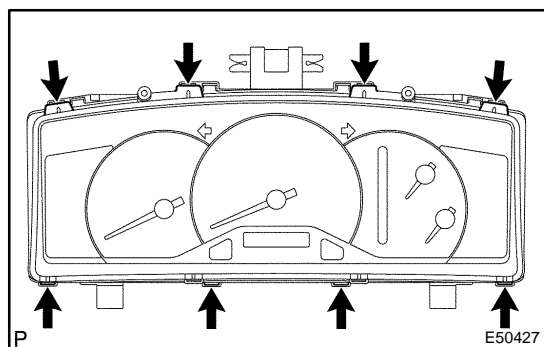
COMPONENTS: See page 71-7

1. REMOVE METER HOOD SUB-ASSY(See page 71-10)



2. REMOVE COMBINATION METER ASSY

- (a) Remove the screw.
- (b) Disengage the 2 clips as shown in the illustration.
- (c) Disconnect the connector, then remove the combination meter.



3. REMOVE COMBINATION METER GLASS

- (a) Disengage the 8 claws, then remove the combination meter glass.