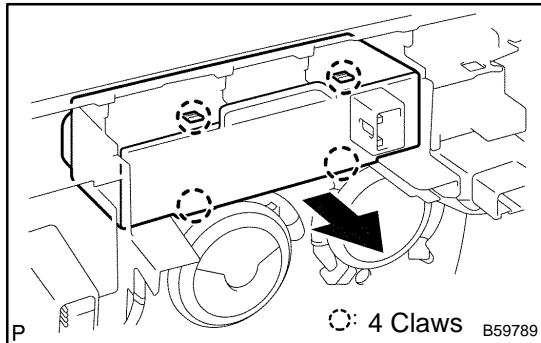


CLOCK ASSY REPLACEMENT

7108L-01

1. REMOVE CONSOLE PANEL UPPER(See page 71-10)
2. REMOVE HEATER CONTROL KNOB
3. REMOVE INSTRUMENT CLUSTER FINISH PANEL(See page 71-10)



4. REMOVE CLOCK ASSY

- (a) Using a screwdriver, disengage the 4 claws, remove the clock as shown in the illustration.

HINT:

Tape the screwdriver tip before use.