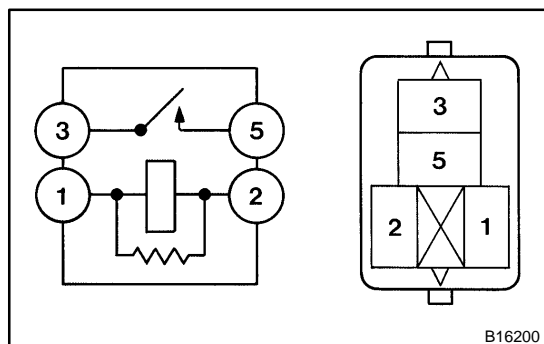


INSPECTION



1. INSPECT DEFOGGER RELAY (Marking: DEF)

- (a) Remove the defogger relay from the instrument panel J/B.
- (b) Inspect the defogger relay.

Standard:

Terminal No.	Condition	Specified condition
1 ↔ 2	Constant	Continuity
3 ↔ 5	Apply B+ between terminals 1 and 2	Continuity

If the result is not as specified, replace the relay.