

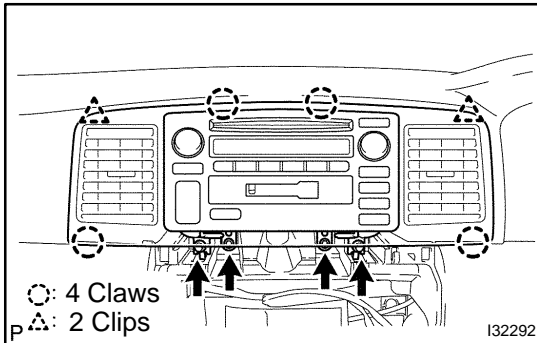
# RADIO RECEIVER ASSY REPLACEMENT

670DY-01

HINT:

COMPONENTS: See page 67-1

1. REMOVE FLOOR SHIFT SHIFTER LEVER KNOB SUB-ASSY (M/T TRANSAXLE)(See page 71-10)
2. REMOVE CONSOLE PANEL UPPER(See page 71-10)
3. REMOVE HEATER CONTROL KNOB(See page 71-10)
4. REMOVE INSTRUMENT CLUSTER FINISH PANEL(See page 71-10)



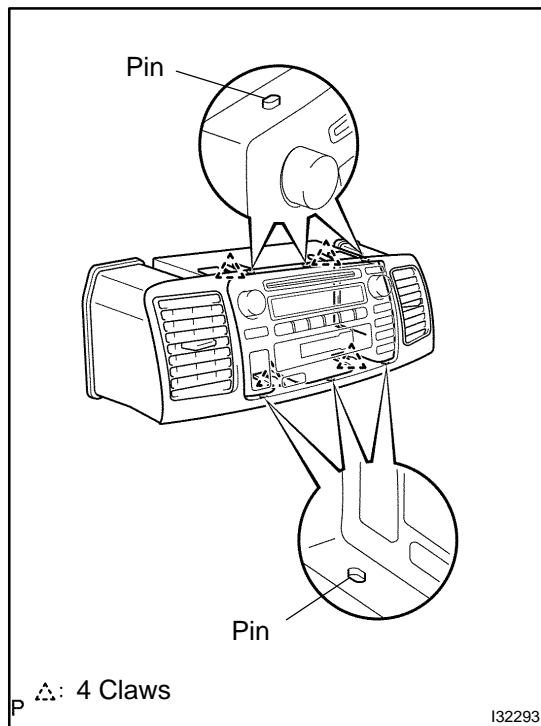
## 5. REMOVE INSTRUMENT CLUSTER FINISH PANEL SUB-ASSY CENTER

- (a) Remove the 4 screws.
- (b) Using a screwdriver, disengage the 2 clips and 4 claws, then remove the instrument cluster finish panel sub-assy center with radio receiver assy.

HINT:

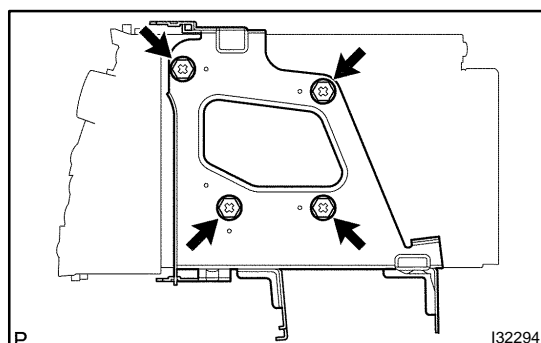
Tape the screwdriver tip before use.

- (c) Disconnect the connectors.



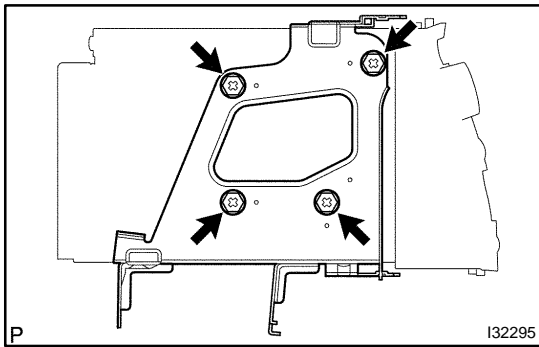
## 6. REMOVE RADIO RECEIVER ASSY

- (a) Disengage the 4 claws and 6 pins.
- (b) Remove the radio receiver assy from the instrument cluster finish panel sub-assy center.



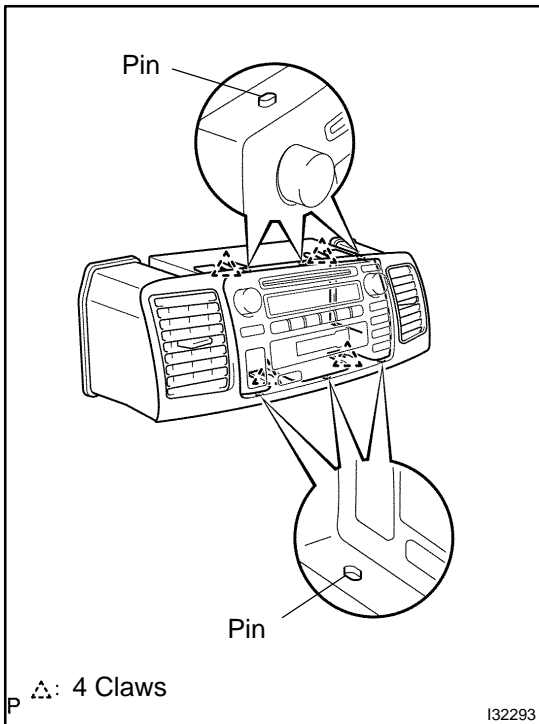
## 7. REMOVE RADIO BRACKET NO.1

- (a) Remove the 4 screws and radio bracket No. 1.



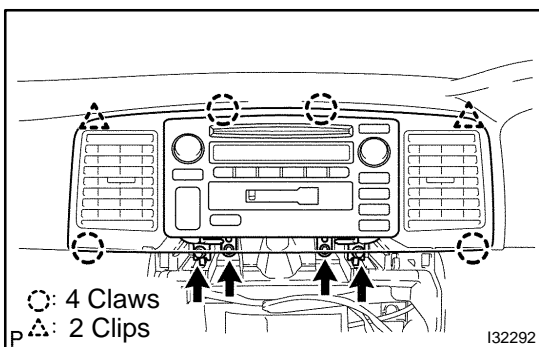
## 8. REMOVE RADIO BRACKET NO.2

- (a) Remove the 4 screws and radio bracket No. 2.



## 9. INSTALL INSTRUMENT CLUSTER FINISH PANEL SUB-ASSY CENTER

- (a) Place the radio receiver assy temporarily on the instrument panel sub-assy upper. (\*1)
- (b) Under the condition of (\*1), engage the 6 pins and 4 claws of the radio receiver assy with the instrument cluster finish panel sub-assy center. (\*2)
- (c) Under the condition of (\*2), slide the instrument cluster finish panel sub-assy center and the radio receiver assy forward of the vehicle.



- (d) Connect the connectors and install the 2 clips and 4 claws.
- (e) Install the 4 screws and instrument cluster finish panel sub-assy center with radio receiver assy.