

# POWER POINT SOCKET ASSY RR

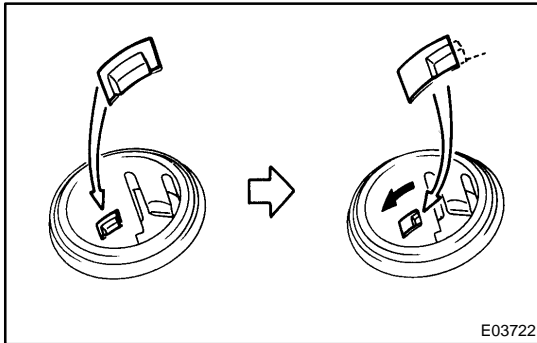
## REPLACEMENT

670E8-01

HINT:

COMPONENTS: See page 67-1

1. REMOVE PARKING BRAKE HOLE COVER SUB-ASSY(See page 71-10)
2. REMOVE FLOOR SHIFT LEVER KNOB SUB-ASSY (M/T TRANSAXLE)(See page 71-10)
3. REMOVE CONSOLE PANEL UPPER(See page 71-10)
4. REMOVE CONSOLE BOX CARPET
5. REMOVE CONSOLE BOX SUB-ASSY REAR (M/T TRANSAXLE)(See page 71-10)
6. REMOVE CONSOLE BOX SUB-ASSY REAR (A/T TRANSAXLE)(See page 71-10)



### 7. REMOVE POWER POINT SOCKET ASSY RR

- (a) Turn the socket in the circumference direction as shown the illustration, disengage the claw between the socket and the power outlet socket cover RR, and push out the socket to the room side.

- (b) Align the socket with the notch on the power outlet socket cover RR, remove the power point socket assy RR to the room side.

### 8. INSTALL POWER POINT SOCKET ASSY RR

- (a) Align the socket with the notch on the power outlet socket cover RR, push the power point socket assy RR into as hard as possible and install it.