

AMPLIFIER ANTENNA ASSY REPLACEMENT

670E4-01

HINT:

COMPONENTS: See page 67-1

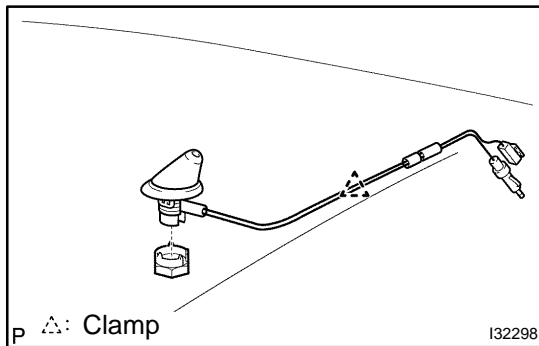
1. REMOVE ROOF HEADLINING ASSY(See page 76-21)

NOTICE:**Do not bend the roof headlining assy.**

HINT:

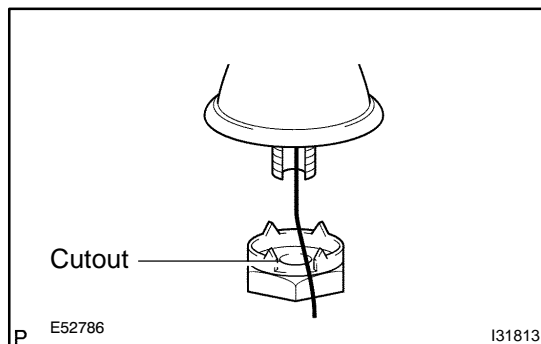
- Refer to the procedure from "REMOVE ROOF HEADLINING ASSY" of ROOF HEADLINING ASSY.
- Remove the related parts as long as the amplifier antenna assy can be removed.

2. REMOVE ROOF ANTENNA POLE SUB-ASSY(See page 67-13)



3. REMOVE AMPLIFIER ANTENNA ASSY

- Disconnect the connector and antenna cord plug.
- Remove the clamp.
- Remove the antenna nut and amplifier antenna assy.



4. INSTALL AMPLIFIER ANTENNA ASSY

- Set the amplifier antenna assy to the hole on the roof, and place the antenna cord on the cutout of the antenna nut.
- Install the amplifier antenna assy with the antenna nut.

Torque: 4.5 N·m (46 kgf·cm, 40 in·lbf)

5. INSTALL ROOF HEADLINING ASSY(See page 76-21)

6. INSTALL REAR SEAT BACK ASSY (FIXED TYPE REAR SEAT)(See page 72-8)

7. INSTALL REAR SEAT BACK ASSY (SEPARATED TYPE REAR SEAT)(See page 72-6)

8. INSTALL BENCH TYPE REAR SEAT CUSHION ASSY(See page 72-6 or 72-8)