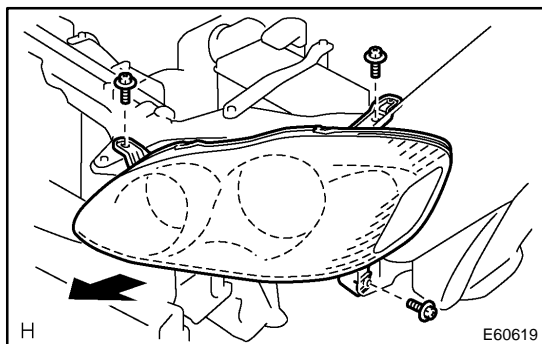


REPLACEMENT

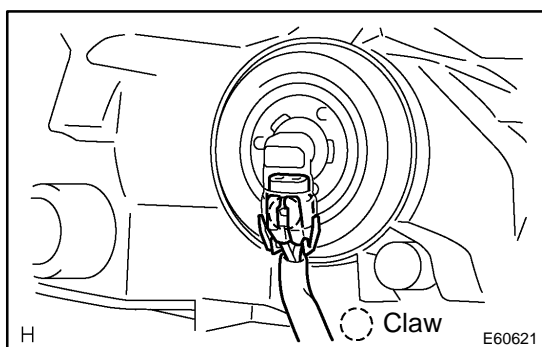
HINT:

COMPONENTS: See page 65-12

1. REMOVE RADIATOR GRILLE SUB-ASSY(See page 76-2)
2. REMOVE FRONT BUMPER COVER(See page 76-2)
3. REMOVE LH HEADLAMP ASSY



- (a) Remove the 3 bolts.
- (b) Pull out the headlight assy LH forward, then disconnect the bracket of body side.

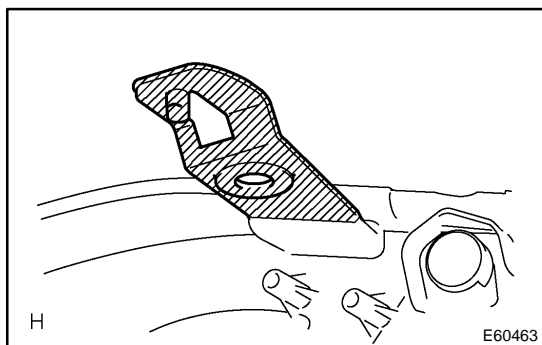


- (c) Release the claws and disconnect the connectors as shown in the illustration, and remove the headlight assy LH.

4. INSTALL RETAINER, HEADLAMP PROTECTOR, UPR LH

HINT:

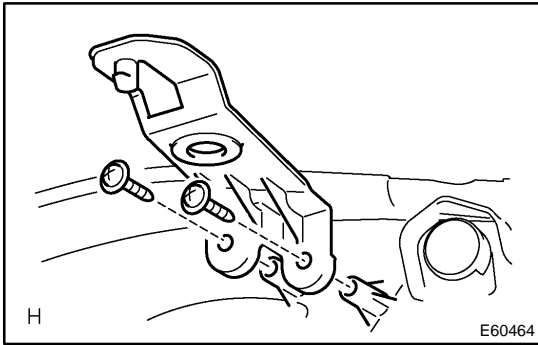
When only the installation part of the headlight assy LH is damaged, it can be repaired inexpensively by using a headlight protector retainer UPR LH. In this case, however, the headlight assy LH itself should not be damaged.



- (a) Cut off the part shaded in the illustration and sand smooth with sandpaper.

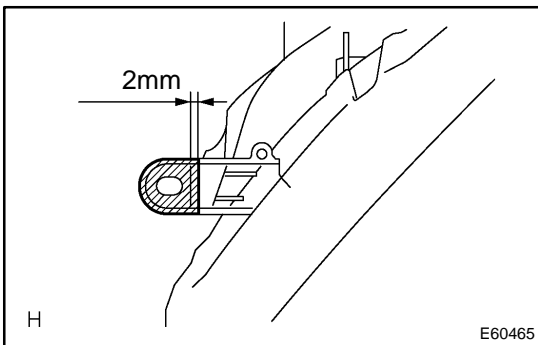
NOTICE:

After cutting off the part roughly, place the headlight protector retainer UPR LH against the bosses and gradually file any interfering part until the proper condition for installation is made.



- (b) Install the headlight protector retainer UPR LH with 2 screws.

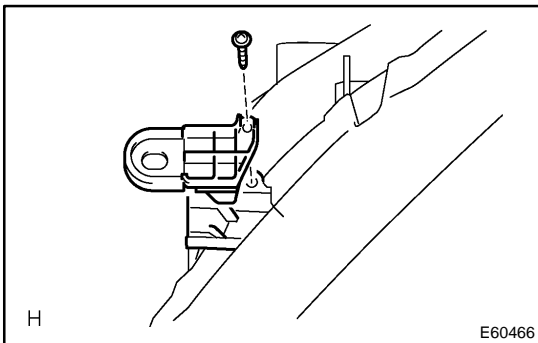
5. INSTALL RETAINER, HEADLAMP PROTECTOR, LWR LH



- (a) Cut off the part shaded in the illustration and sand smooth with sandpaper.

NOTICE:

After cutting off the part roughly, place the headlight protector retainer LWR LH against the bosses and gradually file any interfering part until the proper condition for installation is made.



- (b) Install the headlight protector retainer LWR LH with a screw.

6. PUT VEHICLE THESE CONDITIONS(See page 65-18)
7. ADJUST FOG LIGHT AIM(See page 65-18)
8. HEADLIGHT AIM ONLY(See page 65-15)