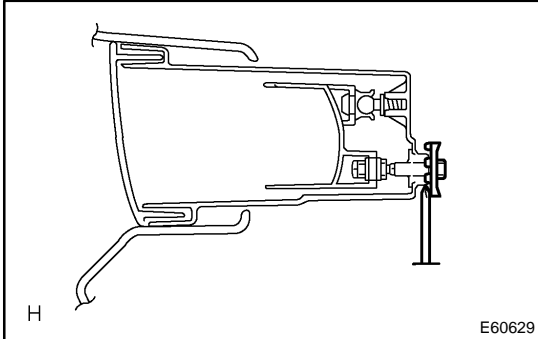


## ADJUSTMENT

### 1. PUT VEHICLE THESE CONDITIONS

- (a) Tire inflation pressure is the specified value (See page 28-1).
- (b) Start the engine.



### 2. ADJUST FOG LIGHT AIM

- (a) The fog light aim can be adjusting by moving the aiming screw in the vertical direction.

#### HINT:

The optical aim moves upward when turning a screwdriver clockwise, while it moves downward when turning a screwdriver counterclockwise.

### 3. CHECK FOG LIGHT AIM