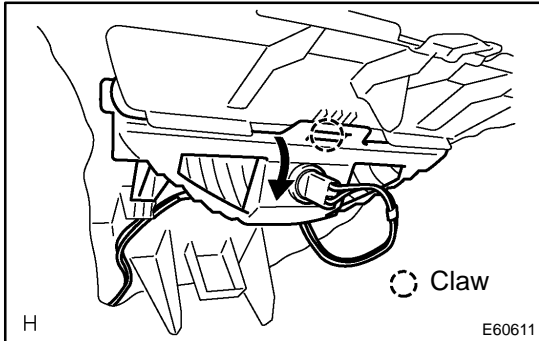


CENTER STOP LAMP ASSY REPLACEMENT

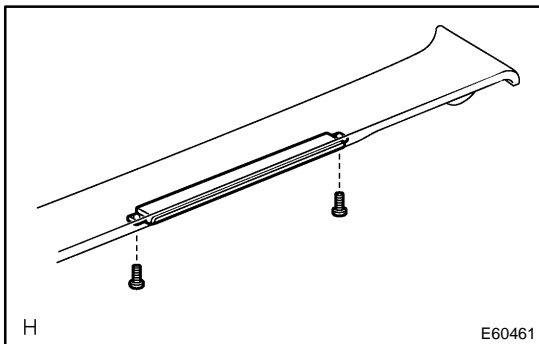
650GZ-01

1. REMOVE PACKAGE TRAY TRIM PANEL ASSY (W/O REAR SPOILER)(See Page 61-15)



2. REMOVE CENTER STOP LAMP ASSY (W/O REAR SPOILER)

- (a) Remove the center stop light assy as shown in the illustration.



3. REMOVE CENTER STOP LAMP ASSY (W/ REAR SPOILER)

- (a) Remove the 2 screws.
(b) Disconnect the connector and remove the center stop light assy.