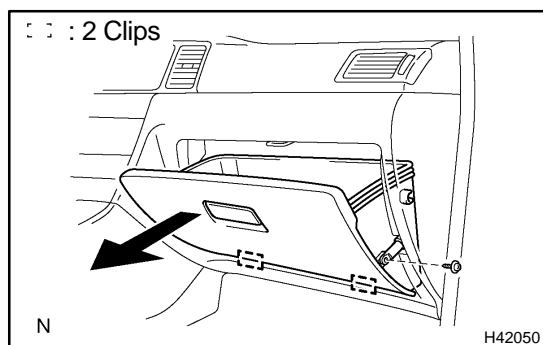


REPLACEMENT

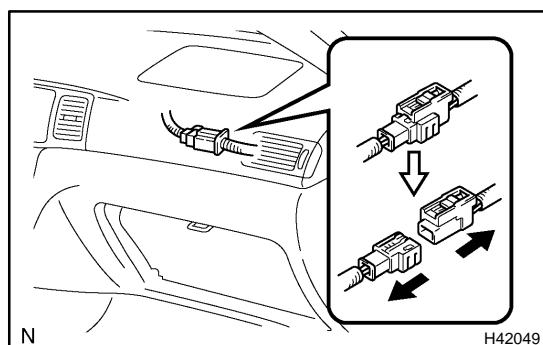
HINT:

COMPONENTS: See page 60-24

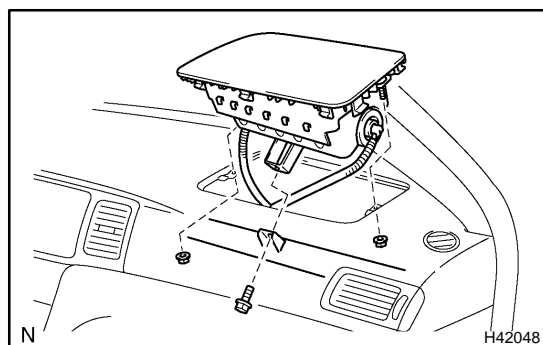
1. **PRECAUTION** (See page 60-1)
2. **DISCONNECT BATTERY NEGATIVE TERMINAL** (See page 60-1)



3. **REMOVE INSTRUMENT PANEL SUB-ASSY LOWER**
 - (a) Remove the screw from the glove compartment door stopper sub-assy.
 - (b) Pull the instrument panel sub-assy lower to remove it.



4. **SEPARATE PASSENGER AIRBAG CONNECTOR**
 - (a) Separate the instrument panel passenger airbag assy connector.



5. **REMOVE INSTRUMENT PANEL PASSENGER AIR BAG ASSY**
 - (a) Remove the bolt.
 - (b) Remove the 2 nuts and instrument panel passenger air-bag assy.

6. **INSTALL INSTRUMENT PANEL PASSENGER AIR BAG ASSY**

Torque:

Bolt: 20 N·m (204 kgf·cm, 15 ft·lbf)

7. **INSPECT INSTRUMENT PANEL PASSENGER AIR BAG ASSY** (See page 60-8)
8. **INSPECT SRS WARNING LIGHT** (See page 05-424)