

FRONT SEAT AIRBAG ASSY RH

6007P-03

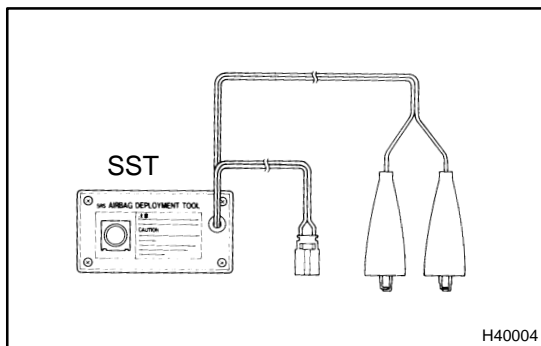
DISPOSAL

HINT:

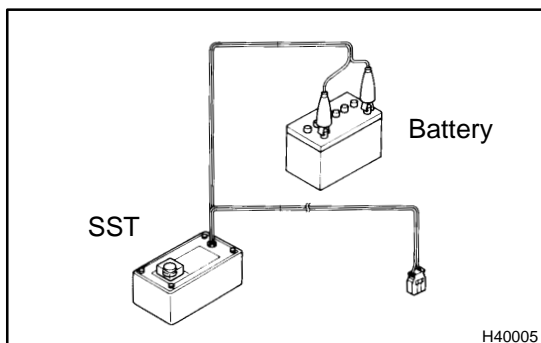
- When scrapping vehicles equipped with an SRS or disposing of the front seat airbag assy always first deploy the airbag in accordance with the procedure described below. If any abnormality occurs with the airbag deployment, contact the SERVICE DEPT. of TOYOTA MOTOR SALES, U.S.A., INC.
- When disposing of a front seat airbag assy with an airbag deployed in a collision, follow the same procedure given in step 1-(e) in "DISPOSAL".

CAUTION:

- Never dispose of a front seat airbag assy which has an undeployed airbag.
- The airbag produces a sizeable exploding sound when it deploys, so perform the operation out of doors and where it will not create a nuisance to nearby residents.



- When deploying the airbag, always use the specified SST (SRS Airbag Deployment Tool), perform the operation in a place away from electrical noise.
- When deploying an airbag, perform the operation at least 10 m (33 ft) away from the airbag assy.
- The front seat airbag assy is very hot when the airbag is deployed, so leave it alone for at least 30 minutes after deployment.
- Use gloves and safety glasses when handling front seat airbag assy with the deployed airbag.
- Always wash your hands with water after completing the operation.
- Do not apply water, etc. to a front seat airbag assy with the deployed airbag.

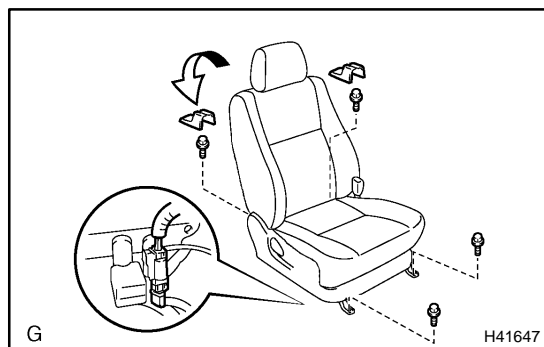


1. DISPOSE FRONT SEAT AIRBAG ASSY RH (WHEN SCRAPPING VEHICLE DEPLOYMENT METHOD)

HINT:

Prepare a battery for the power source to deploy the airbag.

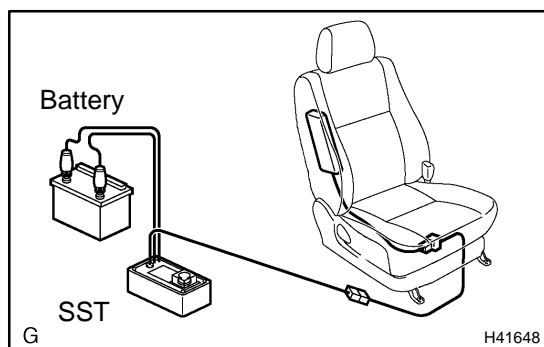
- (a) Check the function of SST (See step 1-(a) on page [60-14](#)).



(b) Disconnect the front seat airbag assy connector.

NOTICE:

When handling the airbag connector, take care not to damage the airbag wire harness.



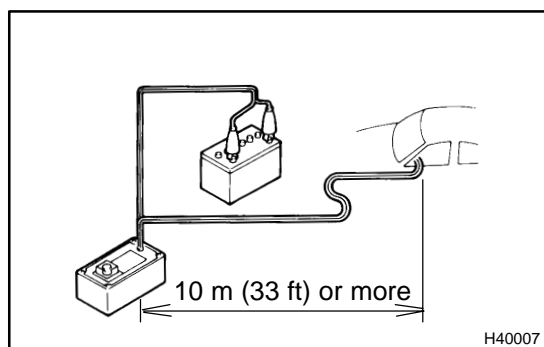
(c) Set SST.

- (1) Connect the connectors of the 2 SST to the front seat airbag assy connector.

SST 09082-00700, 09082-00750

NOTICE:

To avoid damaging the SST connector and wire harness, do not lock the secondary lock of the twin lock.



- (2) Move the SST at least 10 m (33 ft) away from the front of the vehicle.

- (3) Close all the doors and windows of the vehicle.

NOTICE:

Take care not to damage the SST wire harness.

- (4) Connect the SST red clip to the battery positive (+) terminal and the black clip to the battery negative (-) terminal.

(d) Deploy the airbag.

- (1) Check that no one is inside the vehicle or within 10 m (33 ft) area around the vehicle.

- (2) Press the SST activation switch and deploy the airbag.

HINT:

The airbag deploys simultaneously when the LED of SST activation switch lights up.

(e) Dispose of the front seat airbag assy.

CAUTION:

- The front seat airbag assy is very hot when the airbag is deployed, so leave it for at least 30 minutes after deployment.
- Use gloves and safety glasses when handling a front seat airbag assy with the deployed airbag.
- Do not apply water, etc. to a front seat airbag assy with the deployed airbag.
- Always wash your hands with water after completing the operation.

HINT:

When scrapping a vehicle, deploy the airbag and scrap the vehicle with the front seat airbag assy being installed.

2. DISPOSE FRONT SEAT AIRBAG ASSY RH (WHEN DISPOSING OF AIRBAG ASSEMBLY DEPLOYMENT METHOD)

NOTICE:

- When disposing of the front seat airbag assy only, never use the customer's vehicle to deploy the airbag.
- Be sure to follow the procedure given below when deploying the airbag.

HINT:

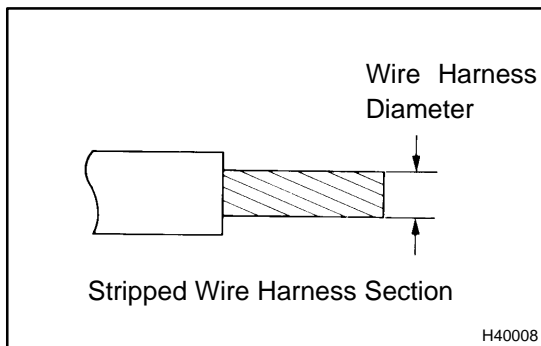
Prepare a battery for the power source to deploy the airbag.

(a) Remove the front seat airbag assy.

- (1) Remove the 2 nuts and front seat airbag assy from the seatback assembly.

CAUTION:

Store the front seat airbag assy with the airbag deployment side facing upward.



- (b) Using a service-purpose wire harness, tie down the front seat airbag assy.

**Wire harness: Stripped wire harness section
1.25 mm² or more (0.0019 in² or more)**

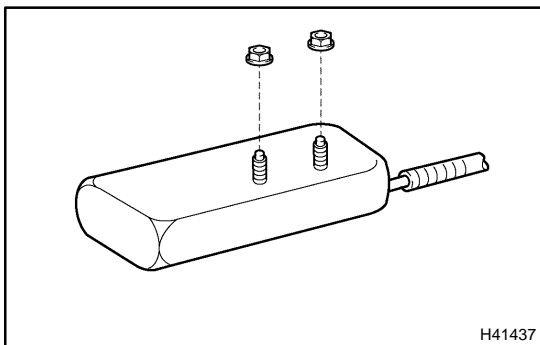
CAUTION:

If the wire harness is too thin or some other things are used to tie down the front seat airbag assy, it may be snapped by the shock when the airbag is deployed. This is highly dangerous. Be sure to use of wire harness which is at least 1.25 mm² (0.0019 in²).

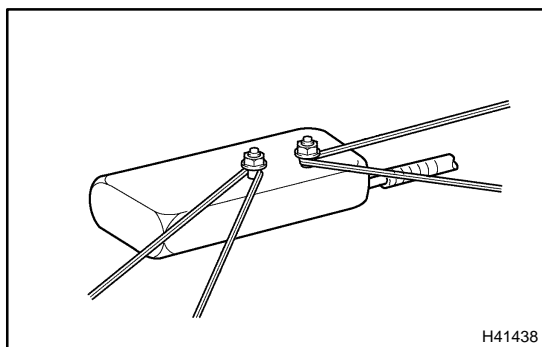
HINT:

To calculate the area of the stripped wire harness section :

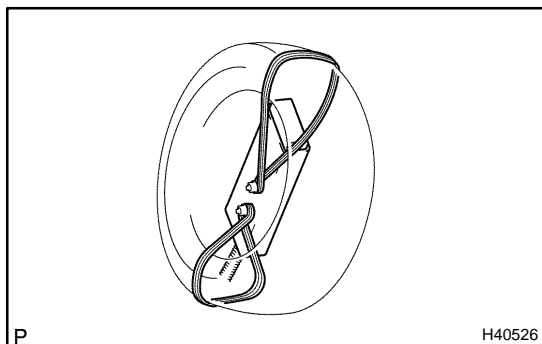
$$\text{Area} = 3.14 \times (\text{Diameter})^2 \text{ divided by } 4$$



- (1) Install the 2 nuts in the front seat airbag assy.



- (2) Wind the wire harness around the stud bolts of the front seat airbag assy as shown in the illustration.



- (3) Position the front seat airbag assy inside the tire with the airbag deployment direction facing inside.

Tire size : Must exceed the following dimensions:–

Width 185 mm (7.28 in.)

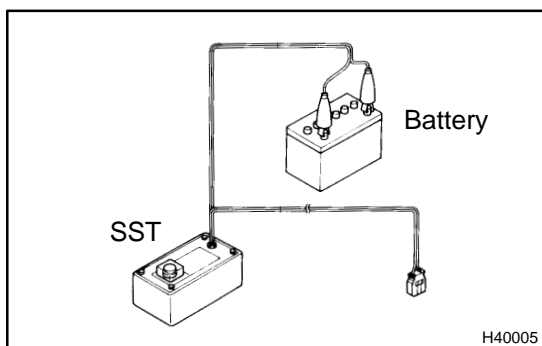
Inner diameter 360 mm (14.17 in.)

CAUTION:

- **Make sure the wire harness is tight. It is very dangerous when loosened wire harness results in the front seat airbag assy coming free due to the shock from the airbag deployment.**
- **Always tie down the front seat airbag assy with the airbag facing inside.**

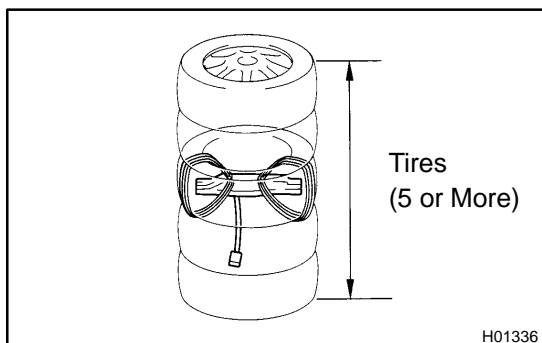
NOTICE:

The tire will be marked by the airbag deployment, so use the redundant tire.

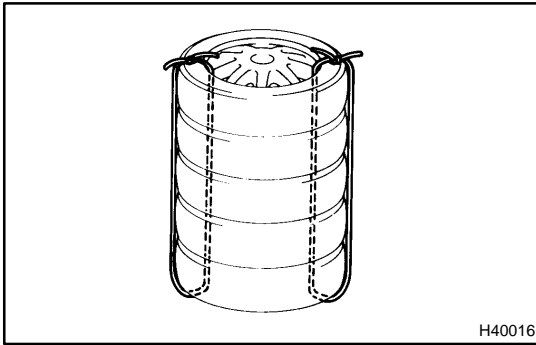


- (c) Check the function of SST (See step 1–(a) on page [60-14](#))

SST 09082-00700



- (d) Place the tires.
- (1) Place at least 2 tires under the tire to which the front seat airbag assy is tied.
 - (2) Place at least 2 tires over the tire to which the front seat airbag assy is tied. The top tire should have the wheel installed.



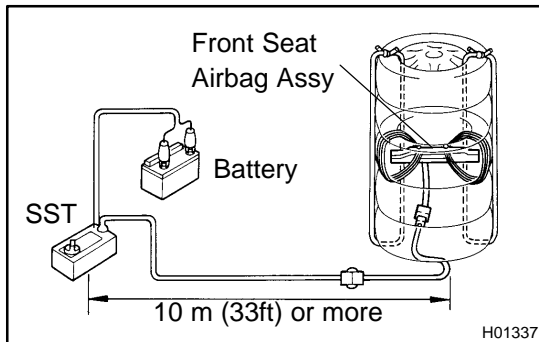
- (3) Tie the tires together with 2 wire harnesses.

CAUTION:

Make sure that the wire harnesses are tight. It is very dangerous when loosened wire harnesses results in the tires coming free due to the shock from the airbag deploying.

HINT:

Place the SST connector and wire harness inside tires. Secure at least 1 m (3 ft) of slack for the wire harness.



- (e) Set SST.

Connect the connector of the 2 SST to the front seat airbag assy connector.

SST 09082-00700, 09082-00750

NOTICE:

To avoid damaging the SST connector and wire harness, do not lock the secondary lock of the twin lock.

- (f) Deploy the airbag.

- (1) Connect the SST red clip to the battery positive (+) terminal and the black clip to the battery negative (-) terminal.
- (2) Check that no one is within 10 m (33 ft) radius around the tire which the front seat airbag assy is tied to.
- (3) Press the SST activation switch and deploy the airbag.

HINT:

The airbag deploys simultaneously when the LED of the SST activation switch lights up.



- (g) Dispose of the front seat airbag assy.

CAUTION:

- **The front seat airbag assy is very hot when the airbag is deployed, so leave it for at least 30 minutes after deployment.**
 - **Use gloves and safety glasses when handling a front seat airbag assy with the deployed airbag.**
 - **Do not apply water etc. to a front seat airbag assy with the deployed airbag.**
 - **Always wash your hands with water after completing the operation.**
- (1) Remove the front seat airbag assy from the tire.
 - (2) Place the front seat airbag assy in a vinyl bag, tie the end tightly and dispose of it in the same way as other general parts disposal.